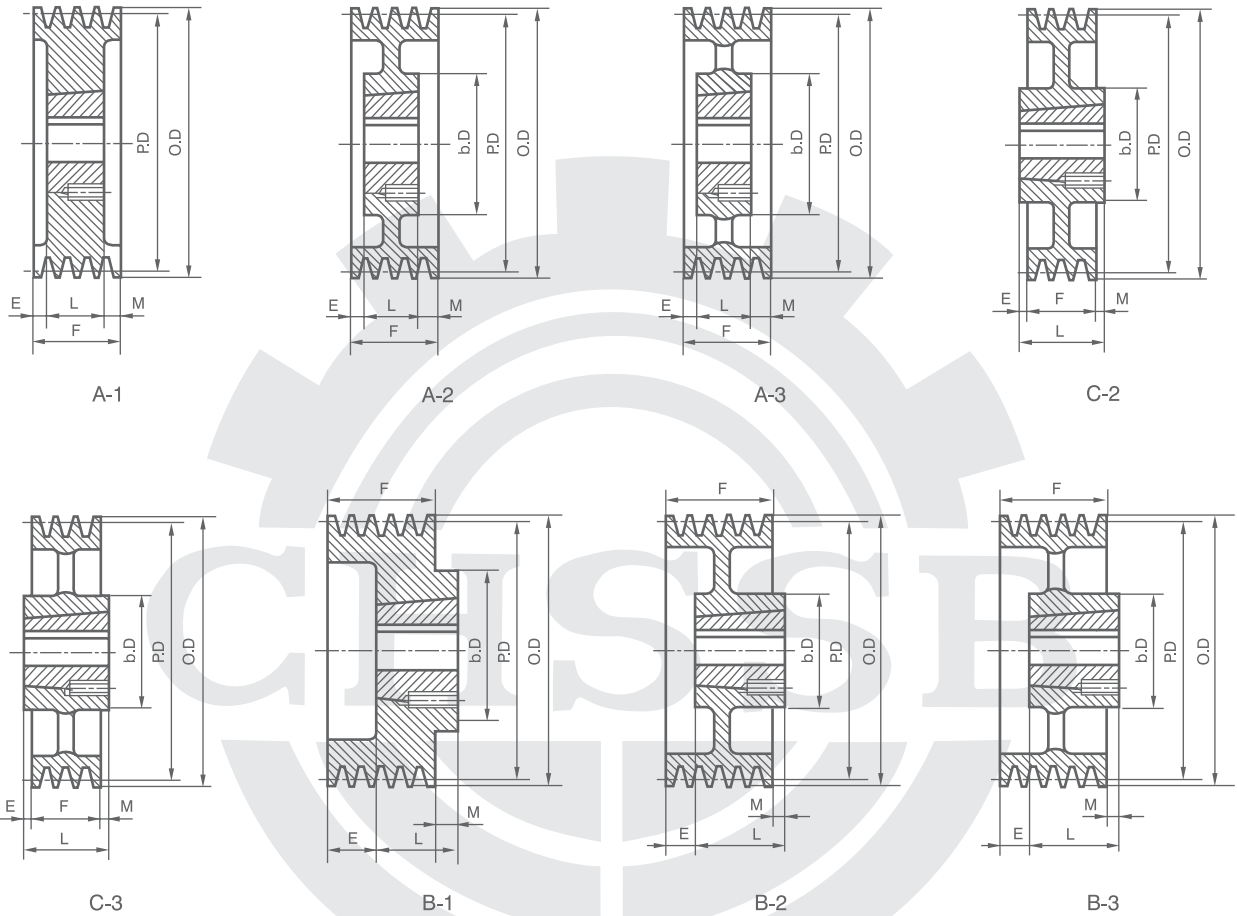


**T<sub>aper</sub>  
B<sub>ore</sub> V-pulleys**

**A/B-C-D**

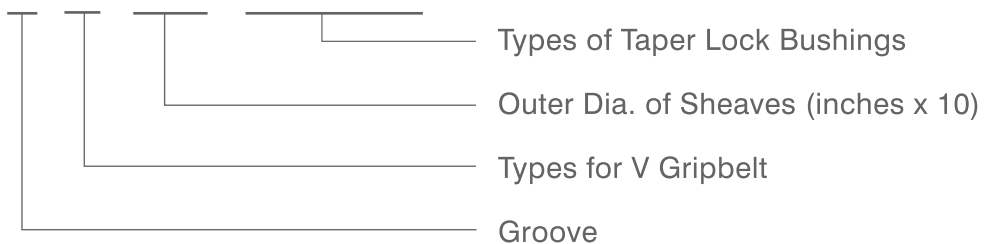
**Cast Sheaves**

**BTL**



**EXPRESSIONS OF TYPES FOR TAPER-LOCK SHEAVES  
FOR STANDARD NARROW V BELT**

**4 C 100 TB2517**



# Taper B V-pulleys

## A/B-C-D

### Cast Iron Sheaves

## BTL

#### GROOVE DIMENSIONS

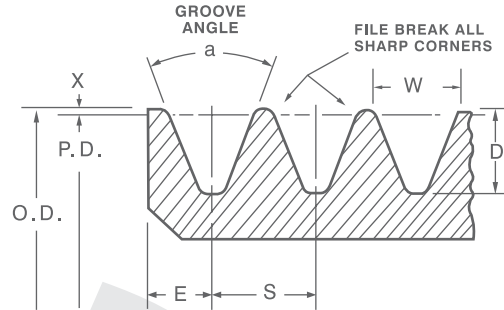
## A/B-C-D-E

Face Width of Stock and Standard Sheaves

$$\text{Face Width} = S(N-1) + 2E$$

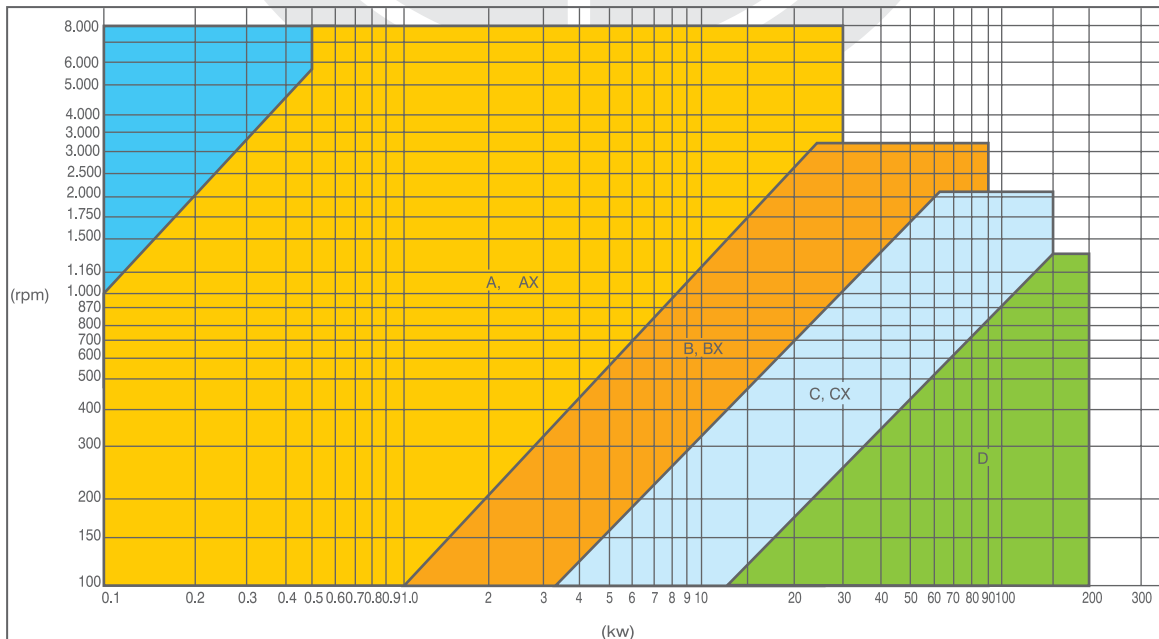
Where:

**N = Number of Grooves**



Belt	Minimum Recommended Pitch Diam.	P.D. Range	a Groove Angle $\pm 1/4^\circ$	Groove Dimensions					
				W	D $\pm .031$	X	S* $\pm .031$	E	
A	3.0	2.6-5.4 Over 5.4	34° 38°	.494 .504 $\pm .005$	.490	.125	.625	.375	+ .070 - .000
B	5.4	4.6-7.0 Over 7.0	34° 38°	.637 .650 $\pm .005$	.580	.175	.750	.500	+ .150 - .000
A-B	A 3.0 B 5.4	3.4-6.8 Over 6.8	34° 38°	.612 .625 $\pm .005$	.625	.175	.750	.500	+ .150 - .100
C	9.0	7.0-7.99 8.0-12.0 Over 12.0	34° 36° 38°	.879 .887 $\pm .007$ .895	.780	.200	1	.688	+ .150 - .000
D	13.0	12.0-12.99 13.0-17.0 Over 17.0	34° 36° 38°	1.259 1.271 $\pm .007$ 1.283	1.050	.300	1.438	.875	+ .250 - .000
E	21.0	18.0-24.0 Over 24.0	36° 38°	1.527 1.542 $\pm .010$	1.300	.400	1.75	1.123	+ .250 - .000

### SELECTION FOR STOCK V-BELT PULLEYS



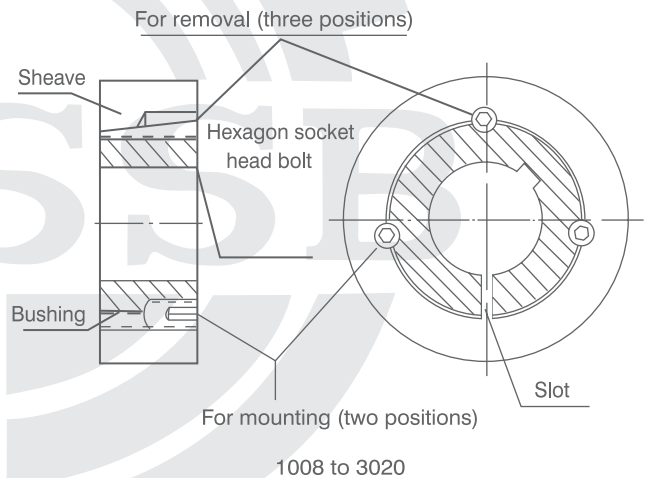
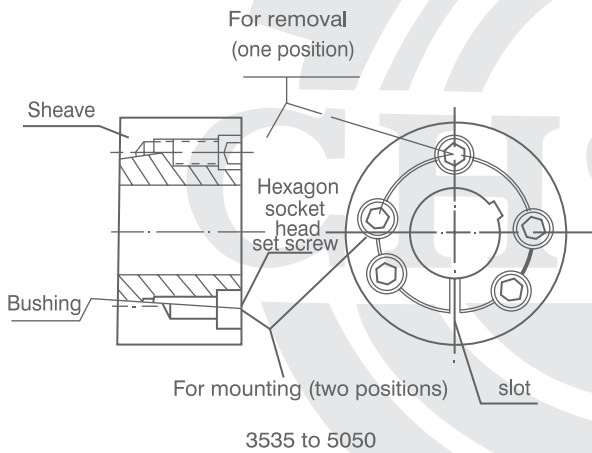
**T<sub>aper</sub>  
B<sub>ore</sub> V-pulleys**

**A/B-C-D**

**Cast Iron Sheaves**

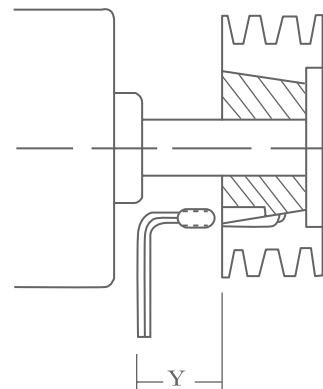
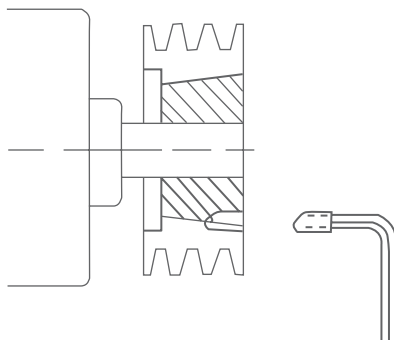
**BTL**

V-belt pulleys with a new type taper-lock bushing has changed the traditional way of transmission. It is easy on and off with high precision and reliable transmission function. It is suitable for any installation of different series through the using of taper-lock bushings of different specifications. It can simplify the design procedure, avoid remachinery but increase the degree of the commonality and standardization of the V-belt pulleys. It can be adopted widely in power transmission uses.



Universal Way

Reverse Way



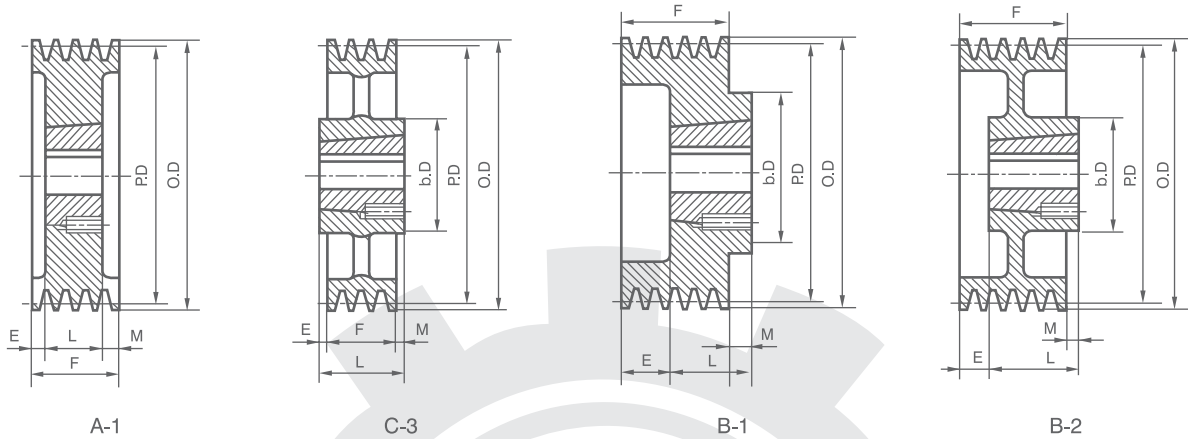
\*Screw fastening and removing clearance (Y) is necessary.

**Taper Bore V-pulleys**

**A/B-C-D**

**Cast Iron Sheaves**

**BTL**



**A/B-1**

**F = 1" (25.40mm)**

SHEAVE	P.D		O.D	Bush	TYPE	Bush Max. Bore	E	bD	L	M	WT LESS Bush
	A Belt	B Belt									
1 B 34 TB1210	3.00	3.40	3.75	1210	A1	1 1/4	—	—	1	—	2.2
1 B 36 TB1210	3.20	3.60	3.95	1210	A1	1 1/4	—	—	1	—	2.6
1 B 38 TB1610	3.40	3.80	4.15	1610	A1	1 5/8	—	—	1	—	2.8
1 B 40 TB1610	3.60	4.00	4.35	1610	A1	1 5/8	—	—	1	—	3.0
1 B 42 TB1610	3.80	4.20	4.55	1610	A1	1 5/8	—	—	1	—	3.5
1 B 44 TB1610	4.00	4.40	4.75	1610	A1	1 5/8	—	—	1	—	3.8
1 B 46 TB1610	4.20	4.60	4.95	1610	A1	1 5/8	—	—	1	—	4.0
1 B 48 TB1610	4.40	4.80	5.15	1610	A1	1 5/8	—	—	1	—	4.5
1 B 50 TB1610	4.60	5.00	5.35	1610	A1	1 5/8	—	—	1	—	4.8
1 B 52 TB1610	4.80	5.20	5.55	1610	A1	1 5/8	—	—	1	—	5.0
1 B 54 TB1610	5.00	5.40	5.75	1610	A1	1 5/8	—	—	1	—	5.5
1 B 56 TB1610	5.20	5.60	5.95	1610	A1	1 5/8	—	—	1	—	6.0
1 B 58 TB1610	5.40	5.80	6.15	1610	A1	1 5/8	—	—	1	—	6.3
1 B 60 TB1610	5.60	6.00	6.35	1610	A1	1 5/8	—	—	1	—	6.7
1 B 62 TB1610	5.80	6.20	6.55	1610	A1	1 5/8	—	—	1	—	7.0
1 B 64 TB1610	6.00	6.40	6.75	1610	A1	1 5/8	—	—	1	—	8.0
1 B 66 TB1610	6.20	6.60	6.95	1610	A1	1 5/8	—	—	1	—	8.5
1 B 68 TB1610	6.40	6.80	7.15	1610	A1	1 5/8	—	—	1	—	9.0
1 B 74 TB2517	7.00	7.40	7.75	2517	B1	2 1/2	—	4 3/4	1 3/4	3/4	9.4
1 B 86 TB2517	8.20	8.60	8.95	2517	B2	2 1/2	—	4 3/4	1 3/4	3/4	12.0
1 B 94 TB2517	9.00	9.40	9.75	2517	B2	2 1/2	—	4 3/4	1 3/4	3/4	14.0
1 B 110 TB2517	10.60	11.00	11.35	2517	B2	2 1/2	—	4 3/4	1 3/4	3/4	18.0
1 B 124 TB2517	12.00	12.40	12.75	2517	C3	2 1/2	1/4	4 3/4	1 3/4	1/2	18.5
1 B 154 TB2517	15.00	15.40	15.75	2517	C3	2 1/2	1/4	4 3/4	1 3/4	1/2	19.0
*1 B 184 TB2517	18.00	18.40	18.75	2517	C3	2 1/2	3/16	4 3/4	1 3/4	7/16	24.0

\*F = 1 1/8"

**BTL-Bushing Standard Bore**

Bushing	Bore Range	
	Min	Max
1210	1/2	1 1/4
1610	1/2	1 5/8
2517	1/2	2 1/2

**Standard Keyseats**

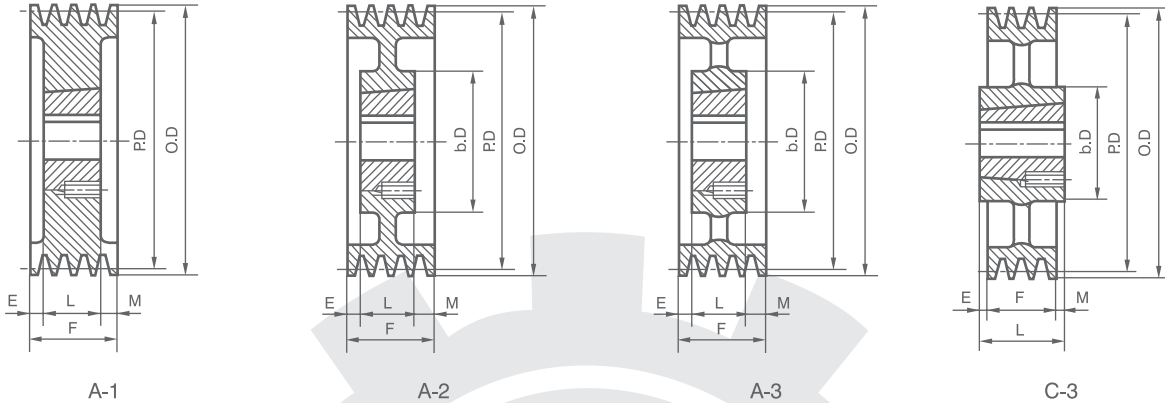
Bore Range	Keyseat	Bore Range	Keyseat
1/2-9/16	1/8x1/16	1 7/16-1 3/4	3/8x3/16
5/8-7/8	3/16x3/32	1 13/16-2 1/4	1/2x1/4
15/16-1 1/4	1/4x1/8	2 5/16-2 3/4	5/8x5/16
15/16-1 3/8	5/16x5/32	2 13/16-3 1/4	3/4x3/8

**Taper Bore V-pulleys**

**A/B-C-D**

**Cast Iron Sheaves**

**BTL**



**A/B-2**

**F = 1 3/4" (44.45mm)**

SHEAVE	P.D		O.D	Bush	TYPE	Bush Max. Bore	E	bD	L	M	WT LESS Bush
	A Belt	B Belt									
2 B 34 TB1210	3.00	3.40	3.75	1210	A1	1 1/4	3/4	—	1	—	2.2
2 B 36 TB1210	3.20	3.60	3.95	1210	A1	1 1/4	3/4	—	1	—	2.6
2 B 38 TB1610	3.40	3.80	4.15	1610	A1	1 5/8	3/4	—	1	—	2.8
2 B 40 TB1610	3.60	4.00	4.35	1610	A1	1 5/8	3/4	—	1	—	3.0
2 B 42 TB1610	3.80	4.20	4.55	1610	A1	1 5/8	3/4	—	1	—	4.0
2 B 44 TB1610	4.00	4.40	4.75	1610	A1	1 5/8	3/4	—	1	—	4.5
2 B 46 TB1610	4.20	4.60	4.95	1610	A1	1 5/8	3/4	—	1	—	5.0
2 B 48 TB1610	4.40	4.80	5.15	1610	A1	1 5/8	3/4	—	1	—	5.5
2 B 50 TB1610	4.60	5.00	5.35	1610	A1	1 5/8	3/4	—	1	—	6.0
2 B 52 TB1610	4.80	5.20	5.55	1610	A1	1 5/8	3/4	—	1	—	6.5
2 B 54 TB1610	5.00	5.40	5.75	1610	A1	1 5/8	3/4	—	1	—	7.0
2 B 56 TB1610	5.20	5.60	5.95	1610	A1	1 5/8	3/4	—	1	—	8.2
2 B 58 TB1610	5.40	5.80	6.15	1610	A1	1 5/8	3/4	—	1	—	8.6
2 B 60 TB1610	5.60	6.00	6.35	1610	A1	1 5/8	3/4	—	1	—	8.8
2 B 62 TB1610	5.80	6.20	6.55	1610	A1	1 5/8	3/4	—	1	—	9.0
2 B 64 TB1610	6.00	6.40	6.75	1610	A1	1 5/8	3/4	—	1	—	10.0
2 B 66 TB1610	6.20	6.60	6.95	1610	A1	1 5/8	3/4	—	1	—	10.5
2 B 68 TB1610	6.40	6.80	7.15	1610	A1	1 5/8	3/4	—	1	—	11.0
2 B 74 TB2517	7.00	7.40	7.75	2517	A1	2 1/2	—	—	1 3/4	—	16.0
2 B 86 TB2517	8.20	8.60	8.95	2517	A2	2 1/2	—	4 3/4	1 3/4	—	18.0
2 B 94 TB2517	9.00	9.40	9.75	2517	A2	2 1/2	—	4 3/4	1 3/4	—	20.0
2 B 110 TB2517	10.60	11.00	11.35	2517	A2	2 1/2	—	4 3/4	1 3/4	—	25.0
2 B 124 TB2517	12.00	12.40	12.75	2517	A3	2 1/2	—	4 3/4	1 3/4	—	27.0
2 B 154 TB2517	15.00	15.40	15.75	2517	A3	2 1/2	—	4 3/4	1 3/4	—	31.0
2 B 184 TB2517	18.00	18.40	18.75	2517	A3	2 1/2	—	4 3/4	1 3/4	—	33.0
2 B 200 TB3020	19.60	20.00	20.35	3020	C3	3	—	5 11/16	2	1/4	49.0
2 B 250 TB3020	24.60	25.00	25.35	3020	C3	3	—	5 11/16	2	1/4	65.0
2 B 300 TB3020	29.60	30.00	30.35	3020	C3	3	—	5 11/16	2	1/4	75.0
2 B 380 TB3020	37.60	38.00	38.35	3020	C3	3	—	5 11/16	2	1/4	112

**BTL-Bushing Standard Bore**

Bushing	Bore Range	
	Min	Max
1210	1/2	1 1/4
1610	1/2	1 5/8
2517	1/2	2 1/2
3020,3030	7/8	3"

**Standard Keyseats**

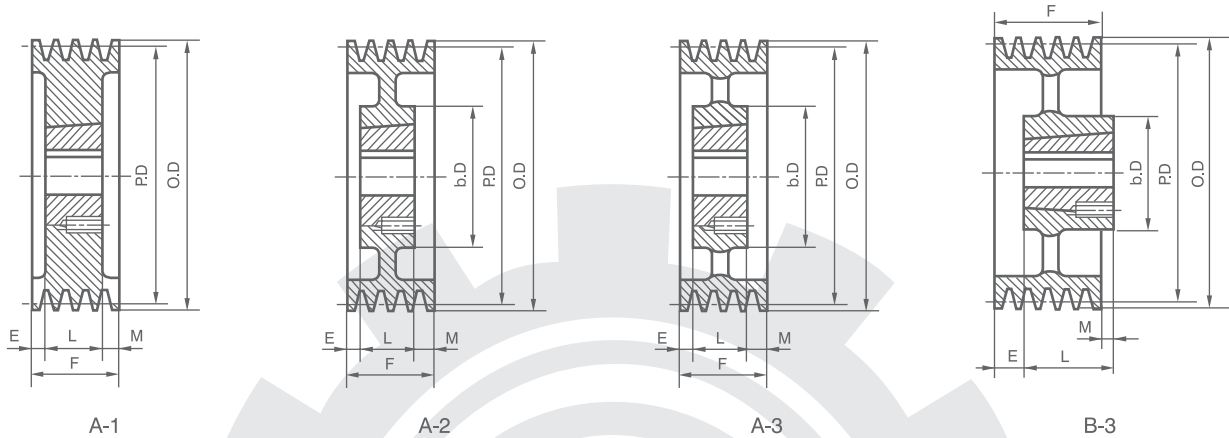
Bore Range	Keyseat	Bore Range	Keyseat
1/2-9/16	1/8x1/16	17/16-13/4	3/8x3/16
5/8-7/8	3/16x3/32	113/16-21/4	1/2x1/4
15/16-11/4	1/4x1/8	25/16-23/4	5/8x5/16
15/16-13/8	5/16x5/32	213/16-31/4	3/4x3/8

**T<sub>aper</sub>  
B<sub>ore</sub> V-pulleys**

**A/B-C-D**

**Cast Iron Sheaves**

**BTL**



**A/B-3**

**F=2 1/2" (63.50mm)**

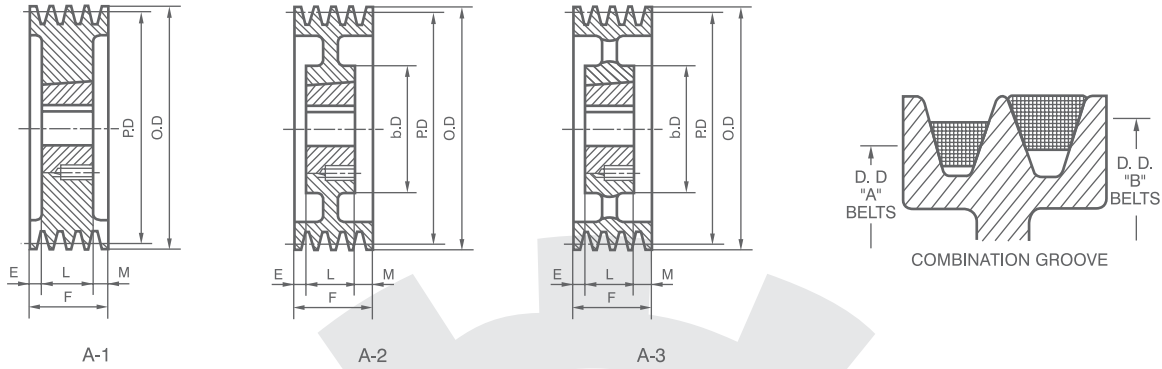
SHEAVE	PD		OD	Bush	TYPE	Bush Max. Bore	E	bD	L	M	WT LESS Bush
	A Belte	B Belte									
3 B 34 TB1210	3.00	3.40	3.75	1210	A <sub>1</sub>	1 1/4	1 1/2	—	1	—	3.0
3 B 36 TB1210	3.20	3.60	3.95	1210	A <sub>1</sub>	1 1/4	1 1/2	—	1	—	3.5
3 B 38 TB1610	3.40	3.80	4.15	1610	A <sub>1</sub>	1 5/8	1 1/2	—	1	—	4.0
3 B 40 TB1610	3.60	4.00	4.35	1610	A <sub>1</sub>	1 5/8	1 1/2	—	1	—	5.0
3 B 42 TB1610	3.80	4.20	4.55	1610	A <sub>1</sub>	1 5/8	1 1/2	—	1	—	6.0
3 B 44 TB1610	4.00	4.40	4.75	1610	A <sub>1</sub>	1 5/8	1 1/2	—	1	—	6.5
3 B 46 TB1610	4.20	4.60	4.95	1610	A <sub>1</sub>	1 5/8	1 1/2	—	1	—	7.0
3 B 48 TB1610	4.40	4.80	5.15	1610	A <sub>1</sub>	1 5/8	1 1/2	—	1	—	8.0
3 B 50 TB1610	4.60	5.00	5.35	1610	A <sub>1</sub>	1 5/8	1 1/2	—	1	—	8.5
3 B 52 TB1610	4.80	5.20	5.55	1610	A <sub>1</sub>	1 5/8	1 1/2	—	1	—	9.0
3 B 54 TB2517	5.00	5.40	5.75	2517	A <sub>1</sub>	2 1/2	3/4	—	1 3/4	—	9.5
3 B 56 TB2517	5.20	5.60	5.95	2517	A <sub>1</sub>	2 1/2	3/4	—	1 3/4	—	10.0
3 B 58 TB2517	5.40	5.80	6.15	2517	A <sub>1</sub>	2 1/2	3/4	—	1 3/4	—	10.5
3 B 60 TB2517	5.60	6.00	6.35	2517	A <sub>1</sub>	2 1/2	3/4	—	1 3/4	—	11.0
3 B 62 TB2517	5.80	6.20	6.55	2517	A <sub>1</sub>	2 1/2	3/4	—	1 3/4	—	11.5
3 B 64 TB2517	6.00	6.40	6.75	2517	A <sub>1</sub>	2 1/2	3/4	—	1 3/4	—	12.0
3 B 66 TB2517	6.20	6.60	6.95	2517	A <sub>1</sub>	2 1/2	3/4	—	1 3/4	—	12.3
3 B 68 TB2517	6.40	6.80	7.15	2517	A <sub>1</sub>	2 1/2	3/4	—	1 3/4	—	12.8
3 B 74 TB2517	7.00	7.40	7.75	2517	A <sub>1</sub>	2 1/2	3/4	—	1 3/4	—	16.0
3 B 86 TB2517	8.20	8.60	8.95	2517	A <sub>2</sub>	2 1/2	3/4	4 3/4	1 3/4	—	19.0
3 B 94 TB2517	9.00	9.40	9.75	2517	A <sub>2</sub>	2 1/2	3/4	4 3/4	1 3/4	—	21.0
3 B 110 TB2517	10.60	11.00	11.35	2517	A <sub>2</sub>	2 1/2	3/4	4 3/4	1 3/4	—	24.0
3 B 124 TB2517	12.00	12.40	12.75	2517	A <sub>3</sub>	2 1/2	—	4 3/4	1 3/4	3/4	28.0
3 B 154 TB2517	15.00	15.40	15.75	2517	A <sub>3</sub>	2 1/2	—	4 3/4	1 3/4	3/4	30.0
3 B 184 TB2517	18.00	18.40	18.75	2517	A <sub>3</sub>	2 1/2	—	4 3/4	1 3/4	3/4	44.0
3 B 200 TB3020	19.60	20.00	20.35	3020	A <sub>3</sub>	3	—	5 11/16	2	1/2	58.0
3 B 250 TB3020	24.60	25.00	25.35	3020	A <sub>3</sub>	3	—	5 11/16	2	1/2	74.0
3 B 300 TB3020	29.60	30.00	30.35	3020	A <sub>3</sub>	3	—	5 11/16	2	1/2	84.0
3 B 380 TB3030	37.60	38.00	38.35	3030	B <sub>3</sub>	3	—	5 11/16	3	1/2	135

**Taper Bore V-pulleys**

**A/B-C-D**

**Cast Iron Sheaves**

**BTL**



**A/B-4**

**F=3 1/4" (82.55mm)**

SHEAVE	P.D		O.D	Bush	TYPE	Bush Max. Bore	E	bD	L	M	WT LESS Bush
	A Belt	B Belt									
4 B 34 TB1210	3.00	3.40	3.75	1210	A1	1 1/4	2 1/4	—	1	—	3.0
4 B 36 TB1210	3.20	3.60	3.95	1210	A1	1 1/4	2 1/4	—	1	—	3.5
4 B 38 TB1610	3.40	3.80	4.15	1610	A1	1 5/8	2 1/4	—	1	—	4.0
4 B 40 TB1610	3.60	4.00	4.35	1610	A1	1 5/8	2 1/4	—	1	—	—
4 B 42 TB1610	3.80	4.20	4.55	1610	A1	1 5/8	2 1/4	—	1	—	5.5
4 B 44 TB1610	4.00	4.40	4.75	1610	A1	1 5/8	2 1/4	—	1	—	6.0
4 B 46 TB1610	4.20	4.60	4.95	1610	A1	1 5/8	2 1/4	—	1	—	7.0
4 B 48 TB1610	4.40	4.80	5.15	1610	A1	1 5/8	2 1/4	—	1	—	8.0
4 B 50 TB2517	4.60	5.00	5.35	2517	A1	2 1/2	1 1/2	—	1 3/4	—	8.5
4 B 52 TB2517	4.80	5.20	5.55	2517	A1	2 1/2	1 1/2	—	1 3/4	—	9.0
4 B 54 TB2517	5.00	5.40	5.75	2517	A1	2 1/2	1 1/2	—	1 3/4	—	9.5
4 B 56 TB2517	5.20	5.60	5.95	2517	A1	2 1/2	1 1/2	—	1 3/4	—	10.0
4 B 58 TB2517	5.40	5.80	6.15	2517	A1	2 1/2	1 1/2	—	1 3/4	—	12.0
4 B 60 TB2517	5.60	6.00	6.35	2517	A1	2 1/2	1 1/2	—	1 3/4	—	12.5
4 B 62 TB2517	5.80	6.20	6.55	2517	A1	2 1/2	1 1/2	—	1 3/4	—	13.0
4 B 64 TB2517	6.00	6.40	6.75	2517	A1	2 1/2	1 1/2	—	1 3/4	—	14.0
4 B 66 TB2517	6.20	6.60	6.95	2517	A1	2 1/2	1 1/2	—	1 3/4	—	15.0
4 B 68 TB2517	6.40	6.80	7.15	2517	A1	2 1/2	1 1/2	—	1 3/4	—	16.0
4 B 74 TB2517	7.00	7.40	7.75	2517	A1	2 1/2	1 1/2	—	1 3/4	—	20.0
4 B 86 TB2517	8.20	8.60	8.95	2517	A2	2 1/2	1 1/2	4 3/4	1 3/4	—	21.0
4 B 94 TB2517	9.00	9.40	9.75	2517	A2	2 1/2	1 1/2	4 3/4	1 3/4	—	23.0
4 B 110 TB2517	10.60	11.00	11.35	2517	A2	2 1/2	1 1/2	4 3/4	1 3/4	—	28.0
4 B 124 TB2517	12.00	12.40	12.75	2517	A3	2 1/2	3/8	4 3/4	1 3/4	1 1/8	34.0
4 B 154 TB2517	15.00	15.40	15.75	2517	A3	2 1/2	3/8	4 3/4	1 3/4	1 1/8	42.0
4 B 184 TB2517	18.00	18.40	18.75	2517	A3	2 1/2	1/2	4 3/4	1 3/4	1	53.0
4 B 200 TB3020	19.60	20.00	20.35	3020	A3	3	1/2	5 11/16	2	3/4	66.0
4 B 250 TB3030	24.60	25.00	25.35	3030	A3	3	—	5 11/16	3	1/4	80.0
4 B 300 TB3030	29.60	30.00	30.35	3030	A3	3	—	5 11/16	3	1/4	100
4 B 380 TB3030	37.60	38.00	38.35	3030	A3	3	—	5 11/16	3	1/4	142

**BTL-Bushing Standard Bore**

Bushing	Bore Range	
	Min	Max
1210	1/2	1 1/4
1610,1615	1/2	1 5/8
2517	1/2	2 1/2
3020,3030	7/8	3"

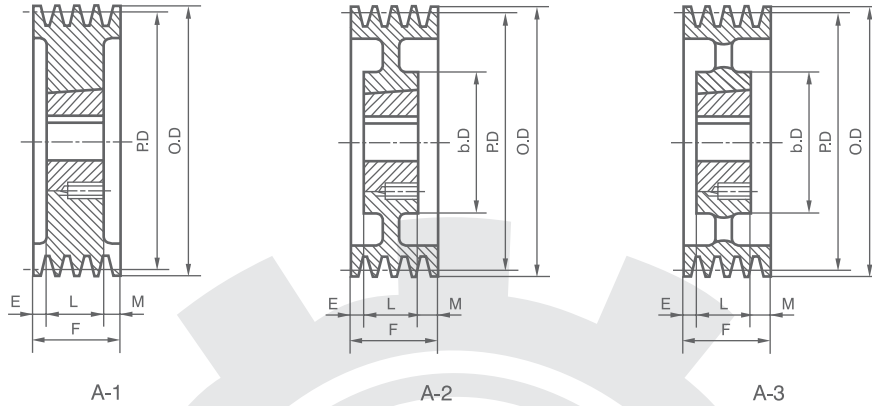
**Standard Keyseats**

Bore Range	Keyseat	Bore Range	Keyseat
1/2-9/16	1/8x1/16	1 7/16-1 3/4	3/8x3/16
5/8-7/8	3/16x3/32	1 13/16-2 1/4	1/2x1/4
1 5/16-1 1/4	1/4x1/8	2 5/16-2 3/4	5/8x5/16
1 5/16-1 3/8	5/16x5/32	2 13/16-3 1/4	3/4x3/8

**T<sub>aper</sub>  
B<sub>ore</sub> V-pulleys**

**A/B-C-D**

**Cast Iron Sheaves *BTL***



**A/B-5**

**F=4" (101.60mm)**

SHEAVE	P.D		O.D	Bush	TYPE	Bush Max. Bore	E	Db	L	M	WT LESS Bush
	A Belt	B Belt									
5 B 34 TB1215	3.00	3.40	3.75	1215	A1	1 1/4	2 1/2	—	1 1/2	—	5.0
5 B 36 TB1215	3.20	3.60	3.95	1215	A1	1 1/4	2 1/2	—	1 1/2	—	5.5
5 B 38 TB1615	3.40	3.80	4.15	1615	A1	1 5/8	2 1/2	—	1 1/2	—	6.0
5 B 40 TB1615	3.60	4.00	4.35	1615	A1	1 5/8	2 1/2	—	1 1/2	—	6.5
5 B 42 TB1615	3.80	4.20	4.55	1615	A1	1 5/8	2 1/2	—	1 1/2	—	7.0
5 B 44 TB1615	4.00	4.40	4.75	1615	A1	1 5/8	2 1/2	—	1 1/2	—	8.0
5 B 46 TB1615	4.20	4.60	4.95	1615	A1	1 5/8	2 1/2	—	1 1/2	—	9.0
5 B 50 TB2517	4.60	5.00	5.35	2517	A1	2 1/2	2 1/4	—	1 3/4	—	10.5
5 B 52 TB2517	4.80	5.20	5.55	2517	A1	2 1/2	2 1/4	—	1 3/4	—	11.3
5 B 54 TB2517	5.00	5.40	5.75	2517	A1	2 1/2	2 1/4	—	1 3/4	—	11.5
5 B 56 TB2517	5.20	5.60	5.95	2517	A1	2 1/2	2 1/4	—	1 3/4	—	12.0
5 B 60 TB2517	5.60	6.00	6.35	2517	A1	2 1/2	2 1/4	—	1 3/4	—	14.0
5 B 64 TB2517	6.00	6.40	6.75	2517	A1	2 1/2	2 1/4	—	1 3/4	—	16.0
5 B 68 TB2517	6.40	6.80	7.15	2517	A1	2 1/2	2 1/4	—	1 3/4	—	18.0
5 B 74 TB2517	7.00	7.40	7.75	2517	A1	2 1/2	2 1/4	—	1 3/4	—	22.0
5 B 86 TB2517	8.20	8.60	8.95	2517	A2	2 1/2	2 1/4	4 3/4	1 3/4	—	24.0
5 B 94 TB2517	9.00	9.40	9.75	2517	A2	2 1/2	2 1/4	4 3/4	1 3/4	—	26.0
5 B 110 TB2517	10.60	11.00	11.35	2517	A2	2 1/2	2 1/4	4 3/4	1 3/4	—	35.0
5 B 124 TB2517	12.00	12.40	12.75	2517	A3	2 1/2	3/4	4 3/4	1 3/4	1 1/2	40.0
5 B 154 TB2517	15.00	15.40	15.75	2517	A3	2 1/2	3/4	4 3/4	1 3/4	1 1/2	47.0
5 B 184 TB2517	18.00	18.40	18.75	2517	A3	2 1/2	3/4	4 3/4	1 3/4	1 1/2	52.0
5 B 200 TB3030	19.60	20.00	20.35	3030	A3	3	1/4	5 11/16	3	3/4	75.0
5 B 250 TB3030	24.60	25.00	25.35	3030	A3	3	1/4	5 11/16	3	3/4	81.0
5 B 300 TB3030	29.60	30.00	30.35	3030	A3	3	1/4	5 11/16	3	3/4	109
5 B 380 TB3030	37.60	38.00	38.35	3030	A3	3	1/4	5 11/16	3	3/4	158

**BTL-Bushing Standard Bore**

Bushing	Bore Range	
	Min	Max
1210	1/2	1 1/4
1610,1615	1/2	1 5/8
2517	1/2	2 1/2
3020,3030	7/8	3"

**Standard Keyseats**

Bore Range	Keyseat	Bore Range	Keyseat
1/2-9/16	1/8x1/16	17/16-13/4	3/8x3/16
5/8-7/8	3/16x3/32	113/16-21/4	1/2x1/4
15/16-1 1/4	1/4x1/8	25/16-23/4	5/8x5/16
15/16-13/8	5/16x5/32	213/16-31/4	3/4x3/8

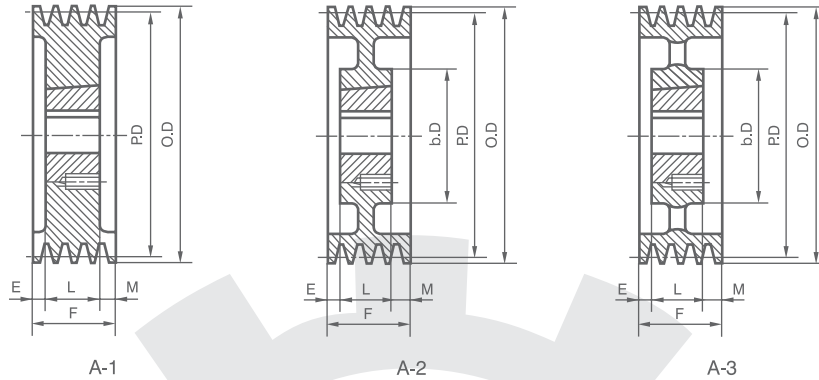


**Taper Bore V-pulleys**

**A/B-C-D**

**Cast Iron Sheaves**

**BTL**



**A/B-6**

**F=4 3/4" (120.65mm)**

SHEAVE	P.D		O.D	Bush	TYPE	Bush Max. Bore	E	Db	L	M	WT LESS Bush
	A Belt	B Belt									
6 B 42 TB1615	3.80	4.20	4.55	1615	A1	15/8	3 1/4	—	1 1/2	—	8.0
6 B 44 TB1615	4.00	4.40	4.75	1615	A1	15/8	3 1/4	—	1 1/2	—	9.0
6 B 46 TB1615	4.20	4.60	4.95	1615	A1	15/8	3 1/4	—	1 1/2	—	10.0
6 B 50 TB2517	4.60	5.00	5.35	2517	A1	2 1/2	3	—	1 3/4	—	11.9
6 B 52 TB2517	4.80	5.20	5.55	2517	A1	2 1/2	3	—	1 3/4	—	12.8
6 B 54 TB2517	5.00	5.40	5.75	2517	A1	2 1/2	3	—	1 3/4	—	13.7
6 B 56 TB2517	5.20	5.60	5.95	2517	A1	2 1/2	3	—	1 3/4	—	14.6
6 B 60 TB2517	5.60	6.00	6.35	2517	A1	2 1/2	3	—	1 3/4	—	16.0
6 B 64 TB2517	6.00	6.40	6.75	2517	A1	2 1/2	3	—	1 3/4	—	19.5
6 B 68 TB2517	6.40	6.80	7.15	2517	A1	2 1/2	3	—	1 3/4	—	21.0
6 B 74 TB2517	7.00	7.40	7.75	2517	A1	2 1/2	3	—	1 3/4	—	25.0
6 B 86 TB2517	8.20	8.60	8.95	2517	A2	2 1/2	3	4 3/4	1 3/4	—	27.0
6 B 94 TB2517	9.00	9.40	9.75	2517	A2	2 1/2	3	4 3/4	1 3/4	—	28.0
6 B 110 TB2517	10.60	11.00	11.35	2517	A2	2 1/2	3	4 3/4	1 3/4	—	34.0
6 B 124 TB2517	12.00	12.40	12.75	2517	A3	2 1/2	1 1/8	4 3/4	1 3/4	1 7/8	43.0
6 B 154 TB2517	15.00	15.40	15.75	2517	A3	2 1/2	1 1/2	4 3/4	1 3/4	1 1/2	52.0
6 B 184 TB2517	18.00	18.40	18.75	2517	A3	2 1/2	1 1/2	4 3/4	1 3/4	1 1/2	62.0
6 B 200 TB3030	19.60	20.00	20.35	3030	A3	3	1/2	5 11/16	3	1 1/4	85.0
6 B 250 TB3030	24.60	25.00	25.35	3030	A3	3	1/2	5 11/16	3	1 1/4	100
6 B 300 TB3030	29.60	30.00	30.35	3030	A3	3	1/2	5 11/16	3	1 1/4	137
6 B 380 TB3030	37.60	38.00	38.35	3030	A3	3	1/2	5 11/16	3	1 1/4	168

**BTL-Bushing Standard Bore**

Bushing	Bore Range	
	Min	Max
1615	1/2	15/8
2517	1/2	2 1/2
3030	7/8	3"

**Standard Keyseats**

Bore Range	Keyseat	Bore Range	Keyseat
1/2-9/16	1/8x1/16	17/16-13/4	3/8x3/16
5/8-7/8	3/16x3/32	113/16-21/4	1/2x1/4
15/16-11/4	1/4x1/8	25/16-23/4	5/8x5/16
15/16-13/8	5/16x5/32	213/16-31/4	3/4x3/8

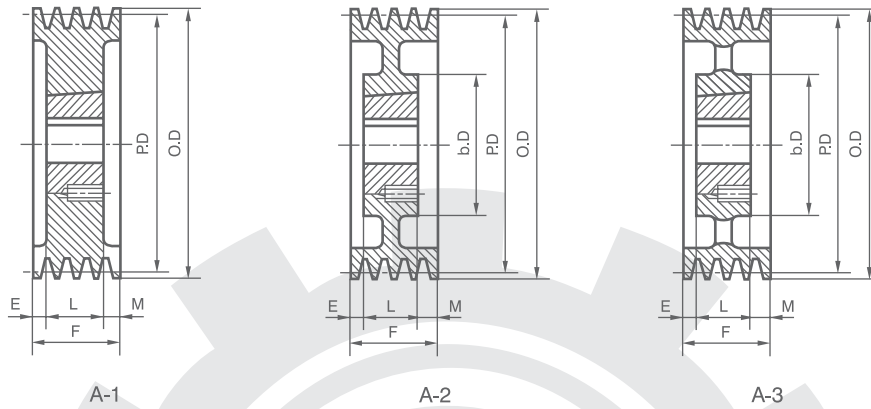


**T<sub>aper</sub>  
B<sub>ore</sub> V-pulleys**

**A/B-C-D**

**Cast Iron Sheaves**

**BTL**



**A/B-8**

**F=6 1/4" (158.75mm)**

SHEAVE	P.D		O.D	Bush	TYPE	Bush Max. Bore	E	bD	L	M	WT LESS Bush
	A Belte	B Belte									
8 B 54 TB2517	5.00	5.40	5.75	2517	A1	2 1/2	1 7/8	—	1 3/4	2 5/8	16
8 B 56 TB2517	5.20	5.60	5.95	2517	A1	2 1/2	1 7/8	—	1 3/4	2 5/8	17
8 B 60 TB2517	5.60	6.00	6.35	2517	A1	2 1/2	1 7/8	—	1 3/4	2 5/8	19
8 B 64 TB2517	6.00	6.40	6.75	2517	A1	2 1/2	1 7/8	—	1 3/4	2 5/8	21
8 B 68 TB2517	6.40	6.80	7.15	2517	A1	2 1/2	1 7/8	—	1 3/4	2 5/8	25
8 B 74 TB2517	7.00	7.40	7.75	2517	A1	2 1/2	1 7/8	—	1 3/4	2 5/8	29
8 B 86 TB3030	8.20	8.60	8.95	3030	A1	3	1	—	3	2 1/4	37
8 B 94 TB3030	9.00	9.40	9.75	3030	A2	3	1	5 11/16	3	2 1/4	41
8 B 110 TB3030	10.60	11.00	11.35	3030	A2	3	1	5 11/16	3	2 1/4	51
8 B 124 TB3030	12.00	12.40	12.75	3030	A3	3	1	5 11/16	3	2 1/4	56
8 B 154 TB3030	15.00	15.40	15.75	3030	A3	3	1	5 11/16	3	2 1/4	69
8 B 184 TB3030	18.00	18.40	18.75	3030	A3	3	1	5 11/16	3	2 1/4	99
8 B 200 TB3030	19.60	20.00	20.35	3030	A3	3	1	5 11/16	3	2 1/4	115
8 B 250 TB3535	24.60	25.00	25.35	3535	A3	3 1/2	3/4	6 1/2	3 1/2	2	145
8 B 300 TB3535	29.60	30.00	30.35	3535	A3	3 1/2	3/4	6 1/2	3 1/2	2	170
8 B 380 TB4040	37.60	38.00	38.35	4040	A3	4	1 1/8	7 3/16	4	1 1/8	260

**A/B-10**

**F=7 3/4" (196.85mm)**

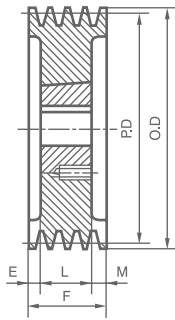
SHEAVE	P.D		O.D	Bush	TYPE	Bush Max. Bore	E	bD	L	M	WT LESS Bush
	A Belte	B Belte									
10 B 54 TB2517	5.00	5.40	5.75	2517	A1	2 1/2	3	—	1 3/4	3	18
10 B 56 TB2517	5.20	5.60	5.95	2517	A1	2 1/2	3	—	1 3/4	3	20
10 B 60 TB2517	5.60	6.00	6.35	2517	A1	2 1/2	3	—	1 3/4	3	22
10 B 64 TB2517	6.00	6.40	6.75	2517	A1	2 1/2	3	—	1 3/4	3	25
10 B 68 TB2517	6.40	6.80	7.15	2517	A1	2 1/2	3	—	1 3/4	3	28
10 B 74 TB2517	7.00	7.40	7.75	2517	A1	2 1/2	3	—	1 3/4	3	35
10 B 86 TB3030	8.20	8.60	8.95	3030	A1	3	2	—	3	2 3/4	43
10 B 94 TB3030	9.00	9.40	9.75	3030	A2	3	2	5 11/16	3	2 3/4	46
10 B 110 TB3030	10.60	11.00	11.35	3030	A2	3	2	5 11/16	3	2 3/4	52

**T<sub>aper</sub>  
B<sub>ore</sub> V-pulleys**

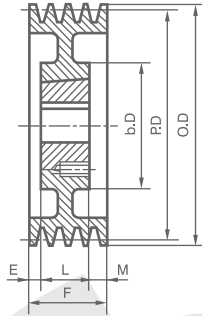
**A/B-C-D**

**Cast Iron Sheaves**

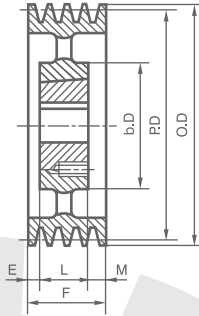
**BTL**



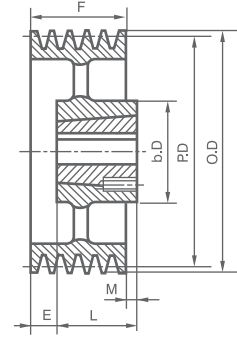
A-1



A-2



A-3



B-3

**C-2**

**F=2 3/8" (60.33mm)**

SHEAVE	P.D	O.D	BUSH Max Bore	BUSH	TYPE	bD	E	L	M	WT LESS BUSH
2 C 70 TB2517	7.00	7.40	2 1/2	2517	A1	—	5/8	13/4	—	15
2 C 75 TB2517	7.50	7.90	2 1/2	2517	A1	—	5/8	13/4	—	17
2 C 80 TB2517	8.00	8.40	2 1/2	2517	A1	—	5/8	13/4	—	20
2 C 85 TB2517	8.50	8.90	2 1/2	2517	A2	43/4	5/8	13/4	—	22
2 C 90 TB2517	9.00	9.40	2 1/2	2517	A2	43/4	5/8	13/4	—	23
2 C 95 TB2517	9.50	9.90	2 1/2	2517	A2	43/4	5/8	13/4	—	24
2 C 100 TB2517	10.00	10.40	2 1/2	2517	A2	43/4	5/8	13/4	—	25
2 C 105 TB2517	10.50	10.90	2 1/2	2517	A2	43/4	5/8	13/4	—	26
2 C 110 TB2517	11.00	11.40	2 1/2	2517	A2	43/4	5/8	13/4	—	27
2 C 120 TB2517	12.00	12.40	2 1/2	2517	A2	43/4	5/8	13/4	—	33
2 C 130 TB2517	13.00	13.40	2 1/2	2517	A3	43/4	5/8	13/4	—	35
2 C 140 TB2517	14.00	14.40	2 1/2	2517	A3	43/4	5/8	13/4	—	36
2 C 160 TB2517	16.00	16.40	2 1/2	2517	A3	43/4	5/8	13/4	—	42
2 C 180 TB3020	18.00	18.40	3	3020	A3	5 11/16	—	2	3/8	43
2 C 200 TB3020	20.00	20.40	3	3020	A3	5 11/16	—	2	3/8	45
2 C 240 TB3020	24.00	24.40	3	3020	A3	5 11/16	—	2	3/8	72

**C-3**

**F=3 3/8" (85.73mm)**

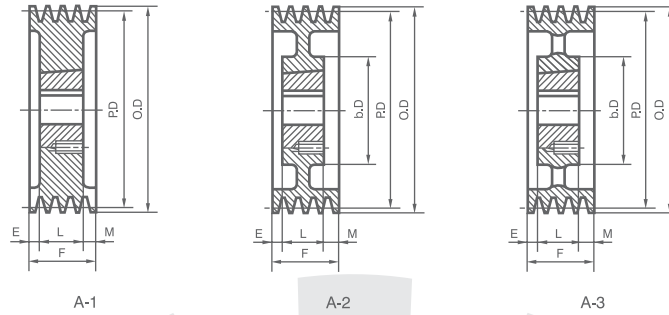
SHEAVE	P.D	O.D	BUSH Max Bore	BUSH	TYPE	bD	E	L	M	WT LESS BUSH
3 C 70 TB2517	7.00	7.40	2 1/2	2517	A1	—	1/4	13/4	13/8	18.0
3 C 75 TB2517	7.50	7.90	2 1/2	2517	A1	—	1/4	13/4	13/8	20.0
3 C 80 TB2517	8.00	8.40	2 1/2	2517	A1	—	1/4	13/4	13/8	22.0
3 C 85 TB2517	8.50	8.90	2 1/2	2517	A2	43/4	1/4	13/4	13/8	23.0
3 C 90 TB2517	9.00	9.40	2 1/2	2517	A2	43/4	1/4	13/4	13/8	24.0
3 C 95 TB2517	9.50	9.90	2 1/2	2517	A2	43/4	1/4	13/4	13/8	27.0
3 C 100 TB2517	10.00	10.40	2 1/2	2517	A2	43/4	1/4	13/4	13/8	29.0
3 C 105 TB2517	10.50	10.90	2 1/2	2517	A2	43/4	1/4	13/4	13/8	32.0
3 C 110 TB2517	11.00	11.40	2 1/2	2517	A2	43/4	1/4	13/4	13/8	35.0
3 C 120 TB3020	12.00	12.40	3	3020	A2	5 11/16	—	2	13/8	44.0
3 C 130 TB3020	13.00	13.40	3	3020	A3	5 11/16	—	2	13/8	49.0
3 C 140 TB3020	14.00	14.40	3	3020	A3	5 11/16	—	2	13/8	50.0
3 C 160 TB3020	16.00	16.40	3	3020	A3	5 11/16	—	2	13/8	64.0
3 C 180 TB3030	18.00	18.40	3	3030	A3	5 11/16	—	3	3/8	70.0
3 C 200 TB3030	20.00	20.40	3	3030	A3	5 11/16	—	3	3/8	78.0
3 C 240 TB3030	24.00	24.40	3	3030	A3	5 11/16	—	3	3/8	96.0
3 C 300 TB3535	30.00	30.40	3 1/2	3535	B3	6 1/2	—	3 1/2	1/8	125.0
3 C 360 TB3535	36.00	36.40	3 1/2	3535	B3	6 1/2	—	3 1/2	1/8	175.0

**T<sub>aper</sub>  
B<sub>ore</sub>** V-pulleys

Cast Iron Sheaves

**A/B-C-D**

**BTL**



**C-4**

**F=4 3/8" (111.13mm)**

SHEAVE	P.D	O.D	BUSH Max Bore	BUSH	TYPE	Db	E	L	M	WT LESS BUSH
4 C 70 TB2517	7.00	7.40	2 1/2	2517	A1	—	1/2	1 3/4	2 1/8	20
4 C 75 TB2517	7.50	7.90	2 1/2	2517	A1	—	1/2	1 3/4	2 1/8	23
4 C 80 TB2517	8.00	8.40	2 1/2	2517	A1	—	1/2	1 3/4	2 1/8	25
4 C 85 TB2517	8.50	8.90	2 1/2	2517	A2	4 3/4	1/2	1 3/4	2 1/8	26
4 C 90 TB2517	9.00	9.40	2 1/2	2517	A2	4 3/4	1/2	1 3/4	2 1/8	27
4 C 95 TB2517	9.50	9.90	2 1/2	2517	A2	4 3/4	1/2	1 3/4	2 1/8	36
4 C 100 TB2517	10.00	10.40	2 1/2	2517	A2	4 3/4	1/2	1 3/4	2 1/8	39
4 C 105 TB2517	10.50	10.90	2 1/2	2517	A2	4 3/4	1/2	1 3/4	2 1/8	42
4 C 110 TB2517	11.00	11.40	2 1/2	2517	A2	4 3/4	1/2	1 3/4	2 1/8	45
4 C 120 TB2517	12.00	12.40	2 1/2	2517	A2	4 3/4	1/2	1 3/4	2 1/8	47
4 C 130 TB3030	13.00	13.40	3	3030	A3	5 11/16	—	3	1 3/8	51
4 C 140 TB3030	14.00	14.40	3	3030	A3	5 11/16	—	3	1 3/8	54
4 C 160 TB3030	16.00	16.40	3	3030	A3	5 11/16	—	3	1 3/8	71
4 C 180 TB3030	18.00	18.40	3	3030	A3	5 11/16	—	3	1 3/8	81
4 C 200 TB3030	20.00	20.40	3	3030	A3	5 11/16	—	3	1 3/8	94
4 C 240 TB3030	24.00	24.40	3	3030	A3	5 11/16	—	3	1 3/8	116
4 C 300 TB3535	30.00	30.40	3 1/2	3535	A3	6 1/2	—	3 1/2	7/8	164
4 C 360 TB3535	36.00	36.40	3 1/2	3535	A3	6 1/2	—	3 1/2	7/8	192
4 C 440 TB4040	44.00	44.40	4	4040	A3	7 3/16	—	4	3/8	282

**C-5**

**F=5 3/8" (136.53mm)**

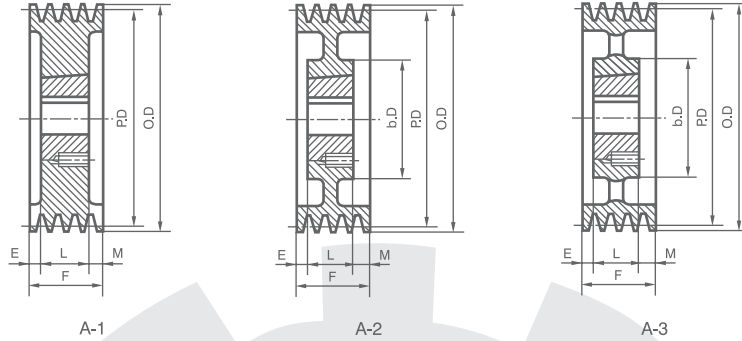
SHEAVE	P.D	O.D	BUSH Max Bore	BUSH	TYPE	Db	E	L	M	WT LESS BUSH
5 C 70 TB2517	7.00	7.40	2 1/2	2517	A1	—	1 1/2	1 3/4	2 1/8	23
5 C 75 TB2517	7.50	7.90	2 1/2	2517	A1	—	1 1/2	1 3/4	2 1/8	26
5 C 80 TB2517	8.00	8.40	2 1/2	2517	A1	—	1 1/2	1 3/4	2 1/8	30
5 C 85 TB2517	8.50	8.90	2 1/2	2517	A1	—	1 1/2	1 3/4	2 1/8	34
5 C 90 TB2517	9.00	9.40	2 1/2	2517	A2	4 3/4	1 1/2	1 3/4	2 1/8	35
5 C 95 TB2517	9.50	9.90	2 1/2	2517	A2	4 3/4	1 1/2	1 3/4	2 1/8	36
5 C 100 TB2517	10.00	10.40	2 1/2	2517	A2	4 3/4	1 1/2	1 3/4	2 1/8	39
5 C 105 TB2517	10.50	10.90	2 1/2	2517	A2	4 3/4	1 1/2	1 3/4	2 1/8	42
5 C 110 TB2517	11.00	11.40	2 1/2	2517	A2	4 3/4	1 1/2	1 3/4	2 1/8	43
5 C 120 TB3030	12.00	12.40	3	3030	A2	5 11/16	1/2	3	1 7/8	58
5 C 130 TB3030	13.00	13.40	3	3030	A3	5 11/16	1/2	3	1 7/8	63
5 C 140 TB3030	14.00	14.40	3	3030	A3	5 11/16	1/2	3	1 7/8	65
5 C 160 TB3030	16.00	16.40	3	3030	A3	5 11/16	1/2	3	1 7/8	70
5 C 180 TB3030	18.00	18.40	3	3030	A3	5 11/16	1/2	3	1 7/8	83
5 C 200 TB3535	20.00	20.40	3 1/2	3535	A3	6 1/2	—	3 1/2	1 7/8	110
5 C 240 TB3535	24.00	24.40	3 1/2	3535	A3	6 1/2	—	3 1/2	1 7/8	138
5 C 300 TB3535	30.00	30.40	3 1/2	3535	A3	6 1/2	—	3 1/2	1 7/8	176
5 C 360 TB4040	36.00	36.40	4	4040	A3	7 3/16	1/4	4	1 1/8	244
5 C 440 TB4040	44.00	44.40	4	4040	A3	7 3/16	1/4	4	1 1/8	288

**Taper Bore V-pulleys**

**A/B-C-D**

**Cast Iron Sheaves**

**BTL**



**C-6**

**F=6 3/8" (161.93mm)**

SHEAVE	P.D	O.D	BUSH Max Bore	BUSH	TYPE	bD	E	L	M	WT LESS BUSH
6 C 70 TB3030	7.00	7.40	3	3030	A1	—	1	3	23/8	30
6 C 75 TB3030	7.50	7.90	3	3030	A1	—	1	3	23/8	31
6 C 80 TB3030	8.00	8.40	3	3030	A1	—	1	3	23/8	35
6 C 85 TB3030	8.50	8.90	3	3030	A1	—	1	3	23/8	40
6 C 90 TB3030	9.00	9.40	3	3030	A1	—	1	3	23/8	47
6 C 95 TB3030	9.50	9.90	3	3030	A1	—	1	3	23/8	53
6 C 100 TB3030	10.00	10.40	3	3030	A1	—	1	3	23/8	57
6 C 105 TB3030	10.50	10.90	3	3030	A2	511/16	1	3	23/8	58
6 C 110 TB3030	11.00	11.40	3	3030	A2	511/16	1	3	23/8	66
6 C 120 TB3030	12.00	12.40	3	3030	A2	511/16	1	3	23/8	70
6 C 130 TB3030	13.00	13.40	3	3030	A3	511/16	1	3	23/8	75
6 C 140 TB3535	14.00	14.40	3 1/2	3535	A3	511/16	1/2	3 1/2	23/8	80
6 C 160 TB3535	16.00	16.40	3 1/2	3535	A3	6 1/2	1/2	3 1/2	23/8	87
6 C 180 TB3535	18.00	18.40	3 1/2	3535	A3	6 1/2	1/2	3 1/2	23/8	102
6 C 200 TB3535	20.00	20.40	3 1/2	3535	A3	6 1/2	1/2	3 1/2	23/8	126
6 C 240 TB3535	24.00	24.40	3 1/2	3535	A3	6 1/2	1/2	3 1/2	23/8	150
6 C 300 TB4040	30.00	30.40	4	4040	A3	7 3/16	1	4	13/8	226
6 C 360 TB4040	36.00	36.40	4	4040	A3	7 3/16	1	4	13/8	270
6 C 440 TB4040	44.00	44.40	4	4040	A3	7 3/16	1	4	13/8	320

**C-8**

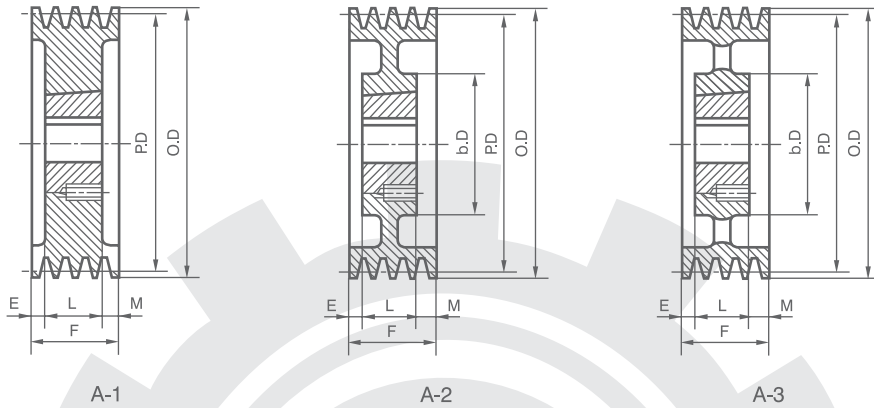
**F=8 3/8" (212.73mm)**

SHEAVE	P.D	O.D	BUSH Max Bore	BUSH	TYPE	bD	E	L	M	WT LESS BUSH
8 C 80 TB3030	8.00	8.40	3	3030	A1	—	2	3	33/8	45
8 C 85 TB3030	8.50	8.90	3	3030	A1	—	2	3	33/8	47
8 C 90 TB3535	9.00	9.40	3 1/2	3535	A1	—	1 1/2	3 1/2	33/8	64
8 C 95 TB3535	9.50	9.90	3 1/2	3535	A1	—	1 1/2	3 1/2	33/8	67
8 C 100 TB3535	10.00	10.40	3 1/2	3535	A1	—	1 1/2	3 1/2	33/8	70
8 C 105 TB3535	10.50	10.90	3 1/2	3535	A1	—	1 1/2	3 1/2	33/8	84
8 C 110 TB3535	11.00	11.40	3 1/2	3535	A1	—	1 1/2	3 1/2	33/8	87
8 C 120 TB3535	12.00	12.40	3 1/2	3535	A2	6 1/2	1 1/2	3 1/2	33/8	90
8 C 130 TB3535	13.00	13.40	3 1/2	3535	A2	6 1/2	1 1/2	3 1/2	33/8	97
8 C 140 TB3535	14.00	14.40	3 1/2	3535	A2	6 1/2	1 1/2	3 1/2	33/8	105
8 C 160 TB3535	16.00	16.40	3 1/2	3535	A3	6 1/2	1 1/2	3 1/2	33/8	115
8 C 180 TB4040	18.00	18.40	4	4040	A3	7 3/16	1 1/2	4	27/8	137
8 C 200 TB4040	20.00	20.40	4	4040	A3	7 3/16	1 1/2	4	27/8	180
8 C 240 TB4040	24.00	24.40	4	4040	A3	7 3/16	1 1/2	4	27/8	205
8 C 300 TB4040	30.00	30.40	4	4040	A3	7 3/16	1 1/2	4	27/8	263
8 C 360 TB4545	36.00	36.40	4 1/2	4545	A3	8 7/16	1 1/4	4 1/2	25/8	343
8 C 440 TB4545	44.00	44.40	4 1/2	4545	A3	8 7/16	1 1/4	4 1/2	25/8	432

**T<sub>aper</sub>  
B<sub>ore</sub> V-pulleys**

**A/B-C-D**

**Cast Iron Sheaves *BTL***



**C-10**

**F = 10 3/8" (263.53mm)**

SHEAVE	P.D	O.D	BUSH Max Bore	BUSH	TYPE	bD	E	L	M	WT LESS BUSH
10 C 90 TB4040	9.00	9.40	4	4040	A1	—	2	4	43/8	57
10 C 95 TB4040	9.50	9.90	4	4040	A1	—	2	4	43/8	66
10 C 100 TB4040	10.00	10.40	4	4040	A1	—	2	4	43/8	77
10 C 105 TB4040	10.50	10.90	4	4040	A1	—	2	4	43/8	87
10 C 110 TB4040	11.00	11.40	4	4040	A1	—	2	4	43/8	98
10 C 120 TB4040	12.00	12.40	4	4040	A1	—	2	4	43/8	121
10 C 130 TB4545	13.00	13.40	4 1/2	4545	A1	—	2	4 1/2	37/8	146
10 C 140 TB4545	14.00	14.40	4 1/2	4545	A2	—	2	4 1/2	37/8	173
10 C 160 TB4545	16.00	16.40	4 1/2	4545	A2	87/16	2	4 1/2	37/8	233
10 C 180 TB4545	18.00	18.40	4 1/2	4545	A2	87/16	2	4 1/2	37/8	276
10 C 200 TB4545	20.00	20.40	4 1/2	4545	A3	87/16	2	4 1/2	37/8	201
10 C 240 TB4545	24.00	24.40	4 1/2	4545	A3	87/16	2	4 1/2	37/8	243
10 C 300 TB4545	30.00	30.40	4 1/2	4545	A3	87/16	2	4 1/2	37/8	320
10 C 360 TB4545	36.00	36.40	4 1/2	4545	A3	87/16	2	4 1/2	37/8	464
10 C 440 TB4545	44.00	44.40	4 1/2	4545	A3	87/16	2	4 1/2	37/8	508

**C-12**

**F = 12 3/8" (314.33mm)**

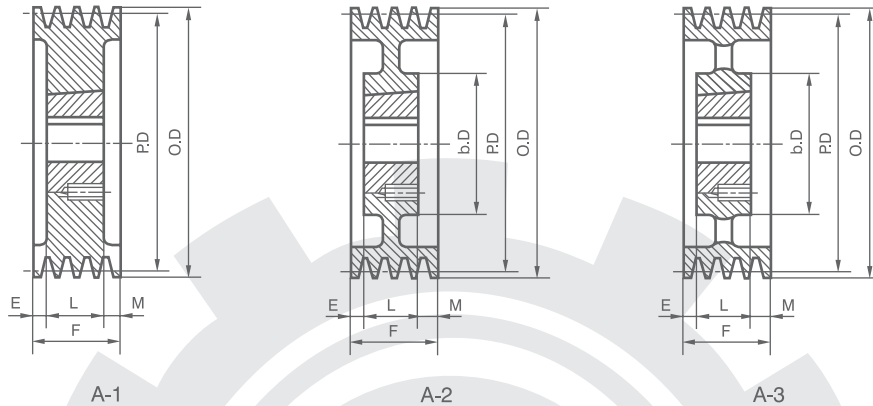
SHEAVE	P.D	O.D	BUSH Max Bore	BUSH	TYPE	Db	E	L	M	WT LESS BUSH
12 C 90 TB4040	9.00	9.40	4	4040	A1	—	3 1/2	4	47/8	65
12 C 95 TB4040	9.50	9.90	4	4040	A1	—	3 1/2	4	47/8	75
12 C 100 TB4040	10.00	10.40	4	4040	A1	—	3 1/2	4	47/8	85
12 C 105 TB4040	10.50	10.90	4	4040	A1	—	3 1/2	4	47/8	95
12 C 110 TB4040	11.00	11.40	4	4040	A1	—	3 1/2	4	47/8	104
12 C 120 TB4040	12.00	12.40	4	4040	A1	—	3 1/2	4	47/8	126
12 C 130 TB4545	13.00	13.40	4 1/2	4545	A1	—	3	4 1/2	47/8	156
12 C 140 TB4545	14.00	14.40	4 1/2	4545	A1	—	3	4 1/2	47/8	184

**T<sub>aper</sub>  
B<sub>ore</sub> V-pulleys**

**A/B-C-D**

**Cast Iron Sheaves**

**BTL**



**D-4**

**F=6 1/16" (153.99mm)**

SHEAVE	P.D	O.D	BUSH Max Bore	BUSH	TYPE	bD	E	L	M	WT LESS BUSH
4 D 120 TB3535	12.00	12.60	3 1/2	3535	A2	6 1/2	3/4	3 1/2	1 13/16	63
4 D 130 TB3535	13.00	13.60	3 1/2	3535	A2	6 1/2	3/4	3 1/2	1 13/16	73
4 D 135 TB3535	13.50	14.10	3 1/2	3535	A2	6 1/2	3/4	3 1/2	1 13/16	78
4 D 140 TB3535	14.00	14.60	3 1/2	3535	A2	6 1/2	3/4	3 1/2	1 13/16	83
4 D 145 TB3535	14.50	15.10	3 1/2	3535	A2	6 1/2	3/4	3 1/2	1 13/16	94
4 D 150 TB3535	15.00	15.60	3 1/2	3535	A2	6 1/2	3/4	3 1/2	1 13/16	97
4 D 155 TB3535	15.50	16.10	3 1/2	3535	A2	6 1/2	3/4	3 1/2	1 13/16	99
4 D 160 TB3535	16.00	16.60	3 1/2	3535	A2	6 1/2	3/4	3 1/2	1 13/16	104
4 D 180 TB3535	18.00	18.60	3 1/2	3535	A3	6 1/2	3/4	3 1/2	1 13/16	109
4 D 220 TB4040	22.00	22.60	4	4040	A3	7 3/16	3/4	1 1/4	1 5/16	142
4 D 270 TB4040	27.00	27.60	4	4040	A3	7 3/16	3/4	1 1/4	1 5/16	182

**D-5**

**F=7 1/2" (190.50mm)**

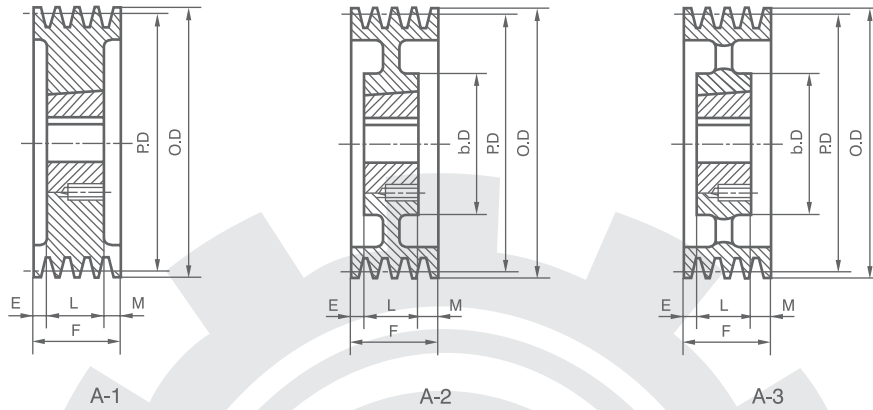
SHEAVE	P.D	O.D	BUSH Max Bore	BUSH	TYPE	bD	E	L	M	WT LESS BUSH
5 D 120 TB4040	12.00	12.60	4	4040	A1	—	3/4	4	2 3/4	82
5 D 130 TB4040	13.00	13.60	4	4040	A2	7 3/16	3/4	4	2 3/4	87
5 D 135 TB4040	13.50	14.10	4	4040	A2	7 3/16	3/4	4	2 3/4	92
5 D 140 TB4040	14.00	14.60	4	4040	A2	7 3/16	3/4	4	2 3/4	97
5 D 145 TB4040	14.50	15.10	4	4040	A2	7 3/16	3/4	4	2 3/4	102
5 D 150 TB4040	15.00	15.60	4	4040	A2	7 3/16	3/4	4	2 3/4	107
5 D 155 TB4040	15.50	16.10	4	4040	A2	7 3/16	3/4	4	2 3/4	112
5 D 160 TB4040	16.00	16.60	4	4040	A2	7 3/16	3/4	4	2 3/4	122
5 D 180 TB4040	18.00	18.60	4	4040	A3	7 3/16	1	4	2 1/2	132
5 D 220 TB4040	22.00	22.60	4	4040	A3	7 3/16	1	4	2 1/2	162
5 D 270 TB4040	27.00	27.60	4	4040	A3	7 3/16	1	4	2 1/2	207

**T<sub>aper</sub>  
B<sub>ore</sub> V-pulleys**

**A/B-C-D**

**Cast Iron Sheaves**

**BTL**



**D-6**

**F = 8 15/16" (227.01mm)**

SHEAVE	P.D	O.D	BUSH Max Bore	BUSH	TYPE	Db	E	L	M	WT LESS BUSH
6 D 120 TB4040	12.00	12.60	4	4040	A1	—	1	4	315/16	100
6 D 130 TB4040	13.00	13.60	4	4040	A2	73/16	1 1/2	4	37/16	105
6 D 135 TB4040	13.50	14.10	4	4040	A2	73/16	1 1/2	4	37/16	107
6 D 140 TB4040	14.00	14.60	4	4040	A2	73/16	1 1/2	4	37/16	112
6 D 145 TB4040	14.50	15.10	4	4040	A2	73/16	1 1/2	4	37/16	117
6 D 150 TB4040	15.00	15.60	4	4040	A2	73/16	1 1/2	4	37/16	122
6 D 155 TB4040	15.50	16.10	4	4040	A2	73/16	1 1/2	4	37/16	127
6 D 160 TB4040	16.00	16.60	4	4040	A2	73/16	1 1/2	4	37/16	175
6 D 180 TB4040	18.00	18.60	4	4040	A2	73/16	1 1/2	4	37/16	185
6 D 220 TB4040	22.00	22.60	4	4040	A3	73/16	1 1/2	4	37/16	210
6 D 270 TB4545	27.00	27.60	4 1/2	4545	A3	87/16	1 3/4	4 1/2	211/16	260
6 D 330 TB4545	33.00	33.60	4 1/2	4545	A3	87/16	1 3/4	4 1/2	211/16	340

**D-8**

**F = 11 13/16" (300.04mm)**

SHEAVE	P.D	O.D	BUSH Max Bore	BUSH	TYPE	Db	E	L	M	WT LESS BUSH
8 D 120 TB4545	12.00	12.60	4 1/2	4545	A1	—	1/2	4 1/2	613/16	125
8 D 130 TB4545	13.00	13.60	4 1/2	4545	A1	—	1/2	4 1/2	613/16	155
8 D 135 TB4545	13.50	14.10	4 1/2	4545	A2	87/16	1	4 1/2	65/16	150
8 D 140 TB4545	14.00	14.60	4 1/2	4545	A2	87/16	1	4 1/2	65/16	155
8 D 145 TB4545	14.50	15.10	4 1/2	4545	A2	87/16	2	4 1/2	55/16	162
8 D 150 TB4545	15.00	15.60	4 1/2	4545	A2	87/16	2	4 1/2	55/16	170
8 D 155 TB4545	15.50	16.10	4 1/2	4545	A2	87/16	2	4 1/2	55/16	182
8 D 160 TB4545	16.00	16.60	4 1/2	4545	A2	87/16	2	4 1/2	55/16	195
8 D 180 TB4545	18.00	18.60	4 1/2	4545	A2	87/16	2 3/4	4 1/2	49/16	220
8 D 220 TB4545	22.00	22.60	4 1/2	4545	A3	87/16	2 3/4	4 1/2	49/16	275
8 D 270 TB4545	27.00	27.60	4 1/2	4545	A3	87/16	2 3/4	4 1/2	49/16	345
8 D 330 TB4545	33.00	33.60	4 1/2	4545	A3	87/16	2 3/4	4 1/2	49/16	455

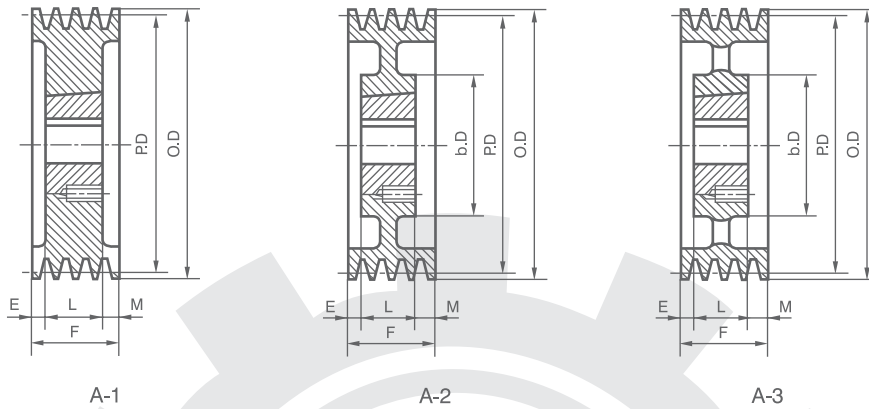


**Taper Bore V-pulleys**

**A/B-C-D**

**Cast Iron Sheaves**

**BTL**



**D-10**

**F=14 11/16" (373.06mm)**

SHEAVE	PD	O.D	BUSH Max Bore	BUSH	TYPE	bD	E	L	M	WT LESS BUSH
10 D 120 TB4545	12.00	12.60	4 1/2	4545	A1	—	23/8	4 1/2	7 13/16	140
10 D 130 TB4545	13.00	13.60	4 1/2	4545	A1	—	23/8	4 1/2	7 13/16	170
10 D 135 TB4545	13.50	14.10	4 1/2	4545	A2	87/16	23/8	4 1/2	7 13/16	172
10 D 140 TB4545	14.00	14.60	4 1/2	4545	A2	87/16	23/8	4 1/2	7 13/16	175
10 D 145 TB4545	14.50	15.10	4 1/2	4545	A2	87/16	23/8	4 1/2	7 13/16	180
10 D 150 TB4545	15.00	15.60	4 1/2	4545	A2	87/16	23/8	4 1/2	7 13/16	185
10 D 155 TB4545	15.50	16.10	4 1/2	4545	A2	87/16	23/8	4 1/2	7 13/16	195
10 D 160 TB4545	16.00	16.60	4 1/2	4545	A2	87/16	23/8	4 1/2	7 13/16	260
10 D 180 TB4545	18.00	18.60	4 1/2	4545	A2	87/16	4	4 1/2	6 3/16	295
10 D 220 TB4545	22.00	22.60	4 1/2	4545	A3	87/16	4	4 1/2	6 3/16	340
10 D 270 TB4545	27.00	27.60	4 1/2	4545	A3	87/16	4	4 1/2	6 3/16	415
10 D 330 TB4545	33.00	33.60	4 1/2	4545	A3	87/16	4 1/4	4 1/2	5 15/16	485

**BTL-Bushing Standard Bore**



Bushing	Bore Range	
	Min	Max
2517	1/2	2 1/2
3030	15/16	3
3535	13/16	3 1/2
4040	17/16	4
4545	1 15/16	4 1/2

**Standard Keyseats**

Bore Range	Keyseat	Bore Range	Keyseat
1/2-9/16	1/8x1/16	1 13/16-2 1/4	1/2x1/4
5/8-7/8	3/16x3/32	2 5/16-2 3/4	5/8x5/16
15/16-1 1/4	1/4x1/8	2 13/16-3 1/4	3/4x3/8
1 15/16-1 3/8	5/16x5/32	3 3/8-3 3/4	7/8x7/16
1 7/16-1 3/4	3/8x3/16	3 7/8-4 1/2	1x1/2