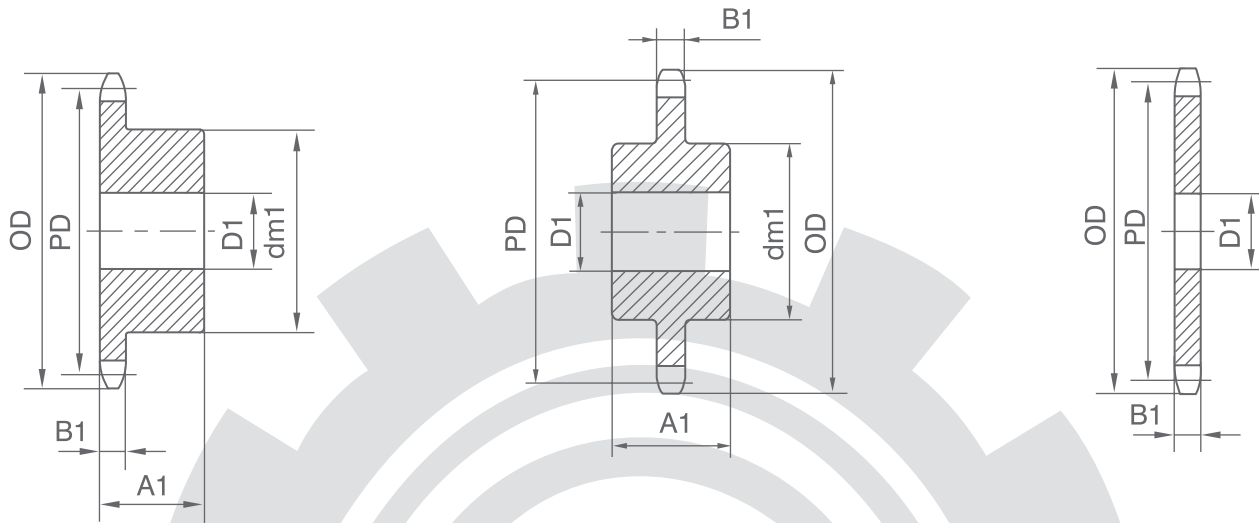


Flame Cut Sprockets

1.654 FLAME CUT SPROCKETS FOR CHAINS

62CAST - 062 - 62Steel - 62A - HF62A - 62H - 072 - 162 - R362
 R432 - RR432 - 962 - LXS627 - IS620 - 162R - US622 - 378R
 402RS - US620

1.654"
PITCH



1654 PLATE THICKNESS 3/4" ROLLER DIAMETER 13/16"

CATALOG NO.	Z	PD	Stock Bore	Max Bore	Hub Diameter	A1	wt Lbs.	CATALOG NO.	Stock Bore	wt Lbs.
1654C12	12	6.39	15/16	23/4	4 1/4	3 1/8	15.8	1654A12	15/16	6.8
1654C13	13	6.91	15/16	3 1/4	4 3/4	3 1/2	19.4	1654A13	15/16	8.0
1654C14	14	7.43	15/16	3 1/4	4 3/4	3 1/2	20.6	1654A14	15/16	9.2
1654C15	15	7.96	15/16	3 1/4	4 3/4	3 1/2	22.0	1654A15	15/16	10.5
1654C17	17	9.00	15/16	3 1/4	4 3/4	3 1/2	24.0	1654A17	15/16	12.0
1654C19	19	10.05	15/16	3 1/4	4 3/4	3 1/2	28.0	1654A19	15/16	16.8
1654C20	20	10.57	15/16	3 1/4	4 3/4	3 1/2	30.0	1654A20	15/16	18.6
1654C24	24	12.67	1 1/4	3 3/4	5 1/2	4 3/5	49.0	1654A24	1 1/4	26.0
1654C26	26	13.72	1 1/4	3 3/4	5 1/2	4 3/8	53.0	1654A26	1 1/4	30.0
1654C30	30	15.82	1 1/4	3 3/4	5 1/2	4 3/8	65.0	1654A30	1 1/4	42.0
1654C36	36	18.98	1 1/4	3 3/4	5 1/2	4 3/8	82.0	1654A36	1 1/4	59.0
1654C54	54	28.45	1 1/4	3 3/4	5 1/2	4 3/8	125.0	1654A54	1 1/4	135.0
1654C60	60	31.60	1 1/4	3 3/4	5 1/2	4 3/8	138.0	1654A60	1 1/4	169.0





New Standard Power Transmission

Flame Cut Sprockets

3067 FLAME CUT SPROCKETS FOR CHAINS

3.067"
PITCH

AX1568 - X568 - JS3011 - SS568 - XX568 - 1803A - 1803AB - MXS3011
IS3011 - IS3010 - US3011 - LXS3011 - LXS3011M

3067 PLATE THICKNESS 1 1/4" ROLLER DIAMETER 1 5/8"

CATALOG NO.	Z	P.D	Stock Bore	Max Bore	Hub Diameter	A1	wt Lbs.	CATALOG NO.	Stock Bore	wt Lbs
3067C10	10	9.92	1 1/2	3 3/4	5 1/2	4 1/4	46	3067A10	1 1/2	28
3067C12	12	11.85	1 1/2	3 3/4	5 1/2	4 1/4	58	3067A12	1 1/2	40
3067C14	14	13.78	1 1/2	3 3/4	5 1/2	4 1/4	73	3067A14	1 1/2	53
3067C30	30	29.34	1 1/2	4 1/2	6 1/2	5 3/4	217	3067A30	1 1/2	240
3067C36	36	35.19	1 1/2	5 3/8	7 1/2	5 7/8	257	3067A36	1 1/2	290
3067C42	42	41.04	1 1/2	5 1/2	8	6 1/8	407	3067A42	1 1/2	340
3067C48	48	46.89	1 1/2	5 1/2	8	6 1/8	448	3067A48	1 1/2	381

A3075 FLAME CUT SPROCKETS FOR CHAINS

3.075"
PITCH

1030 - R1033 - R1035 - 1037 - 1539 - SS40 - LXS1031 - AP13 - LXS1032
SS40Hyp - IS1030 - IS1031 - IS1032 - IS1037 - US1031 - 1190 - 1190R
US1032

A3075 PLATE THICKNESS 1 1/4" ROLLER DIAMETER 1 1/4"

CATALOG NO.	Z	P.D	Stock Bore	Max Bore	Hub Diameter	A1	wt Lbs.	CATALOG NO.	Stock Bore	wt Lbs
A3075C08	8	8.05	1 1/4	3 1/4	5	3 7/8	31	A3075A08	1 1/4	17.9
A3075C09	9	8.99	1 1/4	3 1/4	5	3 7/8	36	A3075A09	1 1/4	22.4
A3075C10	10	9.95	1 1/4	3 1/4	5	3 7/8	40	A3075A10	1 1/4	28
A3075C11	11	10.91	1 1/2	3 3/4	5 1/2	4 1/4	51	A3075A11	1 1/2	33
A3075C12	12	11.88	1 1/2	3 3/4	5 1/2	4 1/4	57	A3075A12	1 1/2	39
A3075C13	13	12.85	1 1/2	3 3/4	5 1/2	4 1/4	64	A3075A13	1 1/2	46
A3075C15	15	14.79	1 1/2	4	6	5 1/8	91	A3075A15	1 1/2	60
A3075C17	17	16.73	1 1/2	4	6	5 1/8	109	A3075A17	1 1/2	78
A3075C19	19	18.68	1 1/2	4 1/2	6 1/2	5 3/4	137	A3075A19	1 1/2	97
A3075C21	21	20.63	1 1/2	4 1/2	6 1/2	5 3/4	158	A3075A21	1 1/2	118
A3075C24	24	23.56	1 1/2	4 1/2	6 1/2	5 3/4	176	A3075A24	1 1/2	154
A3075C25	25	24.53	1 1/2	5 3/8	7 1/2	5 7/8	206	A3075A25	1 1/2	167
A3075C28	28	27.46	1 1/2	5 3/8	7 1/2	5 7/8	236	A3075A28	1 1/2	210
A3075C30	30	29.42	1 1/2	5 3/8	7 1/2	5 7/8	254	A3075A30	1 1/2	240
A3075C35	35	34.30	1 1/2	5 1/2	8	6 1/8	313	A3075A35	1 1/2	287
A3075C40	40	39.19	1 1/2	5 1/2	8	6 1/8	360	A3075A40	1 1/2	327
A3075C42	42	41.15	1 1/2	5 1/2	8	6 1/8	410	A3075A42	1 1/2	343
A3075C48	48	47.03	1 1/2	6 1/2	9 1/2	6 3/4	501	A3075A48	1 1/2	384
A3075C54	54	52.89	1 1/2	6 1/2	9 1/2	6 3/4	549	A3075A54	1 1/2	432
A3075C60	60	58.75	1 1/2	7	10	7 1/2	642	A3075A60	1 1/2	506



New Standard Power Transmission

Flame Cut Sprockets

3500 FLAME CUT SPROCKETS FOR CHAINS

RX238 - IS3514J - 1616A - MXS3514 - US3514 - LXS3514 - LXS3514M

3.500"
PITCH

3500 PLATE THICKNESS 1 1/4" ROLLER DIAMETER 1 3/4"

CATALOG NO.	Z	P.D	Stock Bore	Max Bore	Hub Diameter	A1	wt Lbs.	CATALOG NO.	Stock Bore	wt Lbs
3500C10	10	11.33	1 1/2	3 3/4	5 1/2	4 1/4	54	3500A10	1 1/2	35
3500C12	12	13.52	1 1/2	3 3/4	5 1/2	4 1/4	70	3500A12	1 1/2	51
3500C14	14	15.73	1 1/2	3 3/4	5 1/2	4 1/4	88	3500A14	1 1/2	60
3500C30	30	33.48	1 1/2	4	6	5 1/8	312	3500A30	1 1/2	253
3500C36	36	40.16	1 1/2	4	6	5 1/8	345	3500A36	1 1/2	270
3500C42	42	46.84	1 1/2	5 1/2	8	6 1/8	446	3500A42	1 1/2	379
3500C48	48	53.52	1 1/2	5 1/2	8	6 1/8	517	3500A48	1 1/2	450

4063 FLAME CUT SPROCKETS FOR CHAINS

1240 - 1244 - RX1245 - R1248 - SS124 - AP14 - LXS1242 - SS124
LXS1245 - SS124D - SS124DP - IS1242 - IS1425

4.063"
PITCH

4063 PLATE THICKNESS 1 3/4" ROLLER DIAMETER 1 3/4"

CATALOG NO.	Z	P.D	Stock Bore	Max Bore	Hub Diameter	A1	wt Lbs.	CATALOG NO.	Stock Bore	wt Lbs
4063C06	6	8.13	15/16	2 1/2	4	4	34	4063A06	15/16	26
4063C07	7	9.36	1 1/4	3 3/4	5 1/4	4 3/4	51	4063A07	1 1/4	34
4063C08	8	10.62	1 1/2	4 1/2	6 1/2	5	78	4063A08	1 1/2	44
4063C09	9	11.88	1 1/2	4 1/2	6 1/2	5	89	4063A09	1 1/2	55
4063C10	10	13.15	1 1/2	4 1/2	6 1/2	5	101	4063A10	1 1/2	67
4063C11	11	14.42	1 1/2	4 1/2	6 1/2	5	115	4063A11	1 1/2	81
4063C12	12	15.70	1 1/2	5 1/4	7	6	140	4063A12	1 1/2	96
4063C13	13	16.98	1 1/2	5 1/4	7	6	155	4063A13	1 1/2	111
4063C14	14	18.26	1 1/2	5 1/4	7	6	174	4063A14	1 1/2	130
4063C15	15	19.54	1 1/2	5 1/4	7	6	192	4063A15	1 1/2	148
4063C16	16	20.83	1 1/2	5 1/2	8	6 1/4	230	4063A16	1 1/2	168
4063C18	18	23.40	1 1/2	5 1/2	8	6 1/4	275	4063A18	1 1/2	213
4063C20	20	25.97	1 1/2	5 1/2	8	6 1/4	300	4063A20	1 1/2	263
4063C21	21	27.26	1 1/2	5 1/2	8	6 1/4	319	4063A21	1 1/2	289
4063C24	24	31.12	1 1/2	5 1/2	8	6 1/4	387	4063A24	1 1/2	377
4063C25	25	33.42	1 1/2	6	9	6 1/4	426	4063A25	1 1/2	409
4063C28	28	36.29	1 1/2	6	9	6 1/4	494	4063A28	1 1/2	479
4063C30	30	38.87	1 1/2	7	10	6 3/4	583	4063A30	1 1/2	498
4063C35	35	45.33	1 1/2	7	10	6 3/4	729	4063A35	1 1/2	620
4063C40	40	51.78	1 1/2	7 1/2	11	7 3/4	932	4063A40	1 1/2	721
4063C48	48	62.12	1 1/2	7 1/2	11	7 3/4	1078	4063A48	1 1/2	867



New Standard Power Transmission

Flame Cut Sprockets

4500 FLAME CUT SPROCKETS FOR CHAINS

RO635 - B635 - X635 - 1350 - 450SX - 450SXX - IS4522 - 1340RX
LXS4522M

4.500"
PITCH

4500 PLATE THICKNESS 13/4" ROLLER DIAMETER 21/4"

CATALOG NO.	Z	P.D	Stock Bore	Max Bore	Hub Diameter	A1	wt Lbs.	CATALOG NO.	Stock Bore	wt Lbs
4500C10	10	14.56	1 1/2	4	6 1/2	5	111	4500A10	1 1/2	87
4500C12	12	17.39	1 1/2	4	6 1/2	5	148	4500A12	1 1/2	119
4500C14	14	20.22	1 1/2	4	6 1/2	5	188	4500A14	1 1/2	159
4500C30	30	43.05	1 1/2	5 3/8	7 1/2	5 7/8	592	4500A30	1 1/2	542
4500C36	36	51.63	1 1/2	5 3/8	7 1/2	5 7/8	764	4500A36	1 1/2	715
4500C42	42	60.22	1 1/2	6 1/2	9 1/2	7 1/4	884	4500A42	1 1/2	776
4500C48	48	68.81	1 1/2	7 1/2	11	7 3/4	1174	4500A48	1 1/2	963

CHSSB

5000 FLAME CUT SPROCKETS FOR CHAINS

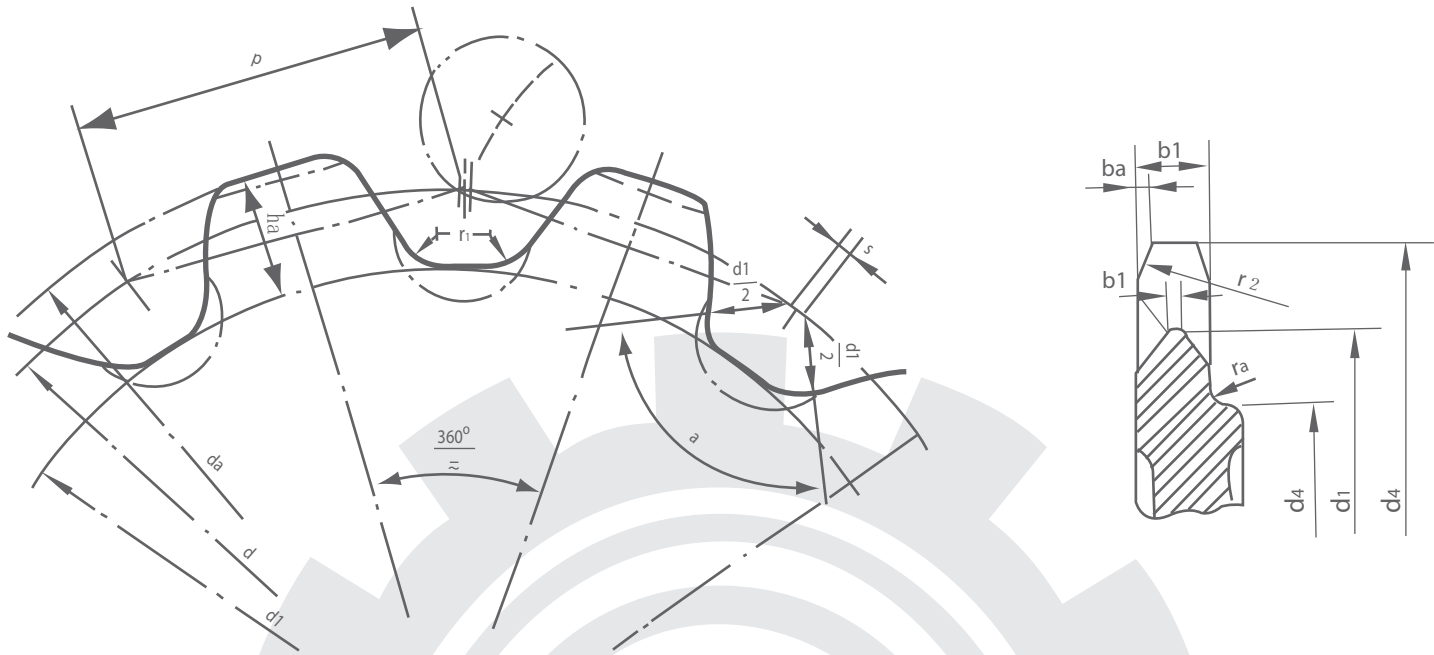
RX1207 - RO1205 - A1302 - JS5031 - 1510XX - 1602A - 1602AA
US5201A - LXS5028 - LXS6038M - MXS5028

5.000"
PITCH

5000 PLATE THICKNESS 2 1/4" ROLLER DIAMETER 2 1/2"

CATALOG NO.	Z	P.D.	Stock Bore	Max Bore	Hub Diameter	A1	wt Lbs.	CATALOG NO.	Stock Bore	wt Lbs
5000C10	10	16.18	1 1/2	4 1/2	6 1/2	5 1/2	160	5000A10	1 1/2	131
5000C12	12	19.32	1 1/2	4 1/2	6 1/2	5 1/2	215	5000A12	1 1/2	187
5000C14	14	22.47	1 1/2	5 3/8	7 1/2	5 7/8	298	5000A14	1 1/2	254
5000C30	30	47.84	1 1/2	6	9	6 3/4	809	5000A30	1 1/2	730
5000C36	36	57.37	1 1/2	7	10	8 1/2	1161	5000A36	1 1/2	1025
5000C42	42	66.91	1 1/2	7	10	8 1/2	1245	5000A42	1 1/2	1109
5000C48	48	76.45	1 1/2	7 1/2	11	10 1/4	2005	5000A48	1 1/2	1794

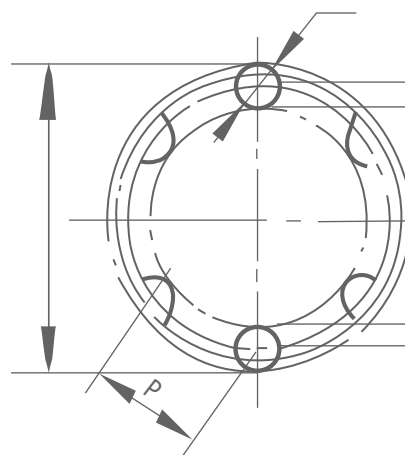
Flame Cut Sprockets



b_e — tooth chamfer width	h_a — tooth height above root diameter
b_f — tooth width	M_R — over pin measurement
b_g — minium width of root chamfer	p — chord pitch, equal to chain pitch
d — pitch reference cylinder	r_a — radius of chamfer between hub and plate
d_a — top diameter	r_i — radius of roller seating space
d_f — root diameter	r_x — radius of smallest tooth chamfer
d_g — maximum hub diameter	s — gap between tooth space centers
d_R — out diameter	z — teeth number
d_1 — maximum diameter of common rollers	a — angle of roller seating space
d_2 — pin shaft diameter	

Checking method for tooth space accuracy

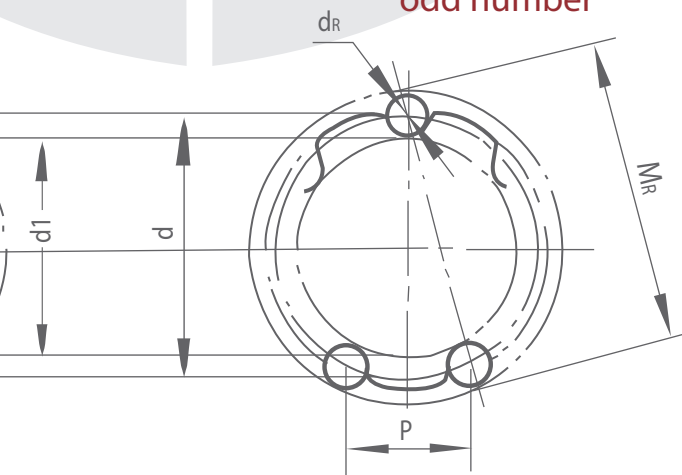
even number



even number of teeth

$$M_R = d_f + d_R$$

odd number



odd number of teeth

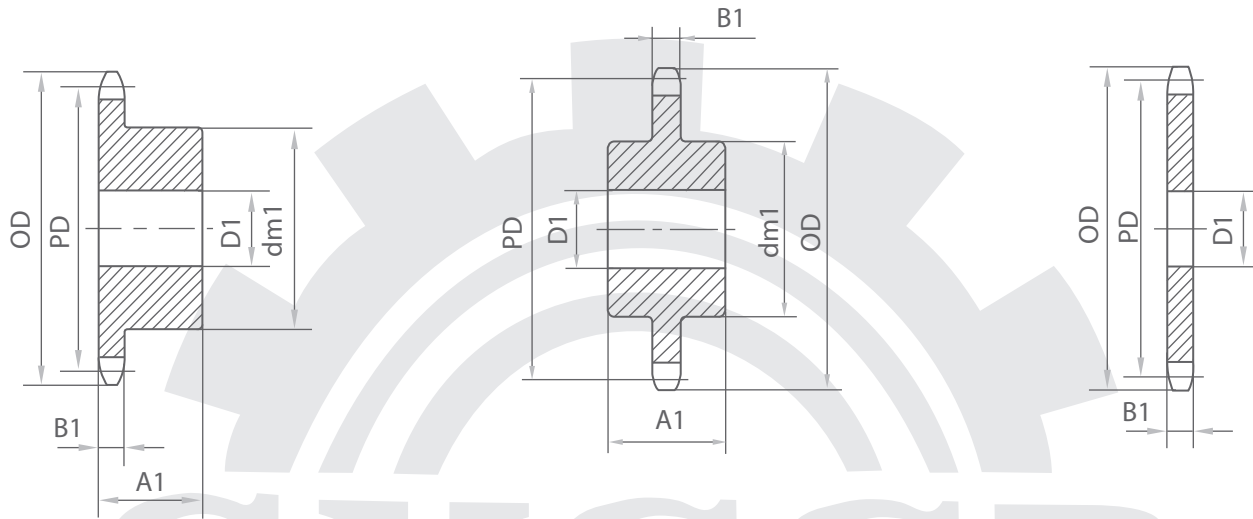
$$M_R = d_f \cos \frac{90^\circ}{z} + d_R$$

Flame Cut Sprockets

2609 FLAME CUT SPROCKETS FOR CHAINS

2.609"
PITCH

78 - H74 - 75 - H75 - H78 - H78LR - H78RT - H78SR - 88 - 188 - S188
S78 - R588 - RR588 - R778 - RR778 - 988 - IS880 - 81X - IS882 - US881
LXS881 - LXS886 - LXS887 - LXS882 - 488 - XS578 - SS188 - C188
US278R - US882 - 578R - 588R



2609 PLATE THICKNESS 7/8" ROLLER DIAMETER 7/8"

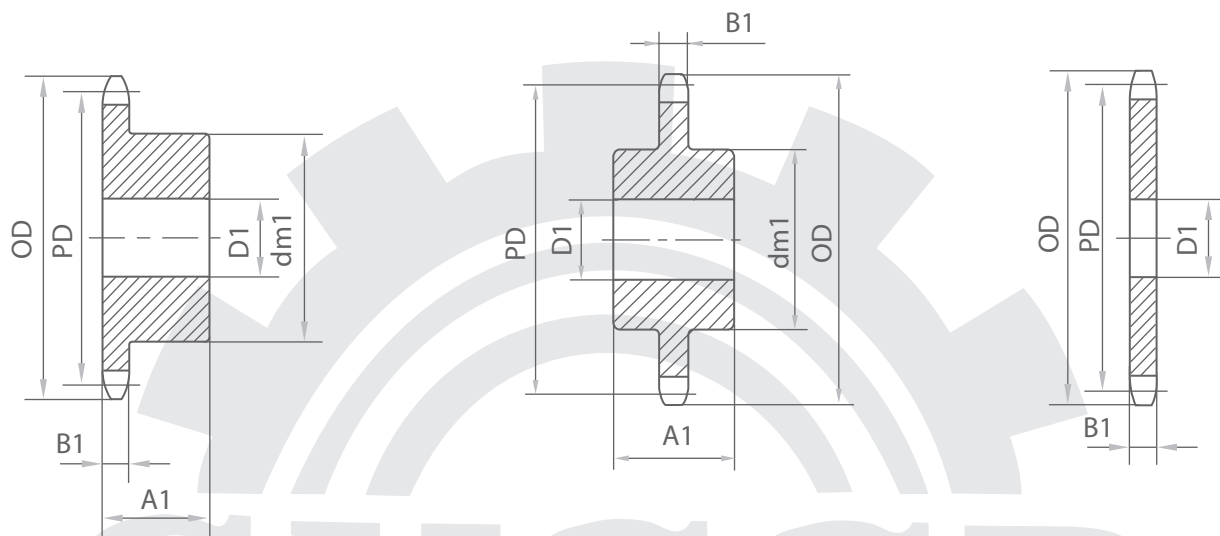
CATALOG NO.	Z	P.D	Stock Bore	Max Bore	Hub Diameter	A1	wt Lbs.	CATALOG NO.	Stock Bore	wt Lbs
2609C08	8	6.82	15/16	3/4	43/4	31/8	21	2609A08	15/16	9.0
2609C09	9	7.63	1/4	37/16	51/4	37/8	29	2609A09	1/4	11.3
2609C10	10	8.44	1/4	37/16	51/4	37/8	31	2609A10	1/4	13.9
2609C11	11	9.26	1/4	37/16	51/4	37/8	34	2609A11	1/4	16.7
2609C12	12	10.08	1/4	37/16	51/4	37/8	37	2609A12	1/4	19.8
2609C13	13	10.90	1/4	33/4	51/2	41/2	46	2609A13	1/4	23.0
2609C14	14	11.72	1/4	33/4	51/2	41/2	49	2609A14	1/4	27.0
2609C15	15	12.55	1/2	33/4	51/2	41/2	53	2609A15	1/2	30.0
2609C17	17	14.20	1/2	33/4	51/2	41/2	62	2609A17	1/2	39.0
2609C19	19	15.85	1/2	41/2	61/2	53/8	90	2609A19	1/2	50.0
2609C21	21	17.51	1/2	41/2	61/2	53/8	101	2609A21	1/2	61.0
2609C24	24	19.99	1/2	41/2	61/2	53/8	119	2609A24	1/2	79.0
2609C25	25	20.82	1/2	41/2	61/2	53/8	124	2609A25	1/2	84.0
2609C28	28	23.31	1/2	41/2	61/2	53/8	132	2609A28	1/2	105.0
2609C30	30	24.96	1/2	41/2	61/2	53/8	150	2609A30	1/2	123.0
2609C35	35	29.11	1/2	41/2	61/2	53/8	170	2609A35	1/2	166.0
2609C40	40	33.25	1/2	415/16	71/4	63/4	226	2609A40	1/2	216.0
2609C42	42	34.91	1/2	415/16	71/4	63/4	240	2609A42	1/2	240.0
2609C46	46	38.31	1/2	415/16	71/4	63/4	258	2609A46	1/2	286.0
2609C54	54	44.87	1/2	415/16	71/4	63/4	368	2609A54	1/2	302.0
2609C60	60	49.85	1/2	415/16	71/4	63/4	388	2609A60	1/2	322.0

Flame Cut Sprockets

3075 FLAME CUT SPROCKETS FOR CHAINS

3.075"
PITCH

H82 - WH82 - WR82 - 103 - 131 - S131 - WS82 - WS82H - SS131 - 527R
527RX - C9103 - 6131 - 4103 - C131 - 382



B3075 PLATE THICKNESS 11/8" ROLLER DIAMETER 17/32"

CATALOG NO.	Z	P.D	Stock Bore	Max Bore	Hub Diameter	A1	wt Lbs.	CATALOG NO.	Stock Bore	wt Lbs
B3075C07	7	7.09	13/16	215/16	4 1/2	37/8	24	B3075A07	13/16	12.6
B3075C08	8	8.04	1 1/4	3 3/4	5 1/4	4 1/8	34	B3075A08	1 1/4	16
B3075C09	9	8.99	1 1/4	3 3/4	5 1/4	4 1/8	38	B3075A09	1 1/4	20
B3075C10	10	9.95	1 1/4	3 3/4	5 1/4	4 1/8	43	B3075A10	1 1/4	25
B3075C11	11	10.91	1 1/4	3 15/16	5 3/4	4 3/8	54	B3075A11	1 1/4	30
B3075C12	12	11.88	1 1/4	3 15/16	5 3/4	4 3/8	60	B3075A12	1 1/4	36
B3075C13	13	12.85	1 1/4	3 15/16	5 3/4	4 3/8	66	B3075A13	1 1/4	42
B3075C14	14	13.82	1 1/4	3 15/16	5 3/4	4 3/8	72	B3075A14	1 1/4	48
B3075C15	15	14.79	1 1/2	4 1/2	6 1/2	5 5/8	94	B3075A15	1 1/2	54
B3075C16	16	15.76	1 1/2	4 1/2	6 1/2	5 5/8	102	B3075A16	1 1/2	62
B3075C17	17	16.73	1 1/2	4 1/2	6 1/2	5 5/8	110	B3075A17	1 1/2	70
B3075C18	18	17.71	1 1/2	4 1/2	6 1/2	5 5/8	119	B3075A18	1 1/2	79



New Standard Power Transmission

Flame Cut Sprockets

4000 FLAME CUT SPROCKETS FOR CHAINS

4.000"
PITCH

H124 - W124 - WS124 - WR124 - WH124

4000 PLATE THICKNESS 1 1/2" ROLLER DIAMETER 1 1/2"

CATALOGNO.	Z	P.D	stock Bore	Max Bore	Hub Diameter	A1	wt Lbs.	CATALOG NO.	stock Bore	wt Lbs
4000C06	6	8.00	15/16	3 1/4	4 3/4	4 5/8	36	4000A06	15/16	21
4000C07	7	9.22	1	3 15/16	5 3/4	4 3/4	52	4000A07	1	28
4000C08	8	10.45	1	3 15/16	5 3/4	4 3/4	61	4000A08	1	37
4000C09	9	11.70	1	3 15/16	5 3/4	4 3/4	70	4000A09	1	46
4000C10	10	12.94	1	3 15/16	5 3/4	4 3/4	79	4000A10	1	55
4000C11	11	14.20	1 1/2	4 1/4	6 1/4	4 3/4	95	4000A11	1 1/2	68
4000C12	12	15.45	1 1/2	4 1/4	6 1/4	4 3/4	107	4000A12	1 1/2	80
4000C13	13	16.72	1 1/2	4 1/4	6 1/4	4 3/4	120	4000A13	1 1/2	93
4000C14	14	17.98	1 1/2	4 1/4	6 1/4	4 3/4	135	4000A14	1 1/2	108
4000C15	15	19.24	1 1/2	4 3/8	6 3/4	6	168	4000A15	1 1/2	124
4000C16	16	20.50	1 1/2	4 3/8	6 3/4	6	185	4000A16	1 1/2	141

6050 FLAME CUT SPROCKETS FOR CHAINS

6.050"
PITCH

C132 - A132 - A132WS - WS132 - C132M - C132W - SX150 - SXA150
150X - 6150 - W157 - WH157 - WR157

6050 PLATE THICKNESS 2 3/4" ROLLER DIAMETER 1 23/32"

CATALOG NO.	Z	P.D	Stock Bore	Max Bore	Hub Diameter	A1	wt Lbs.	CATALOG NO.	Stock Bore	wt Lbs
6050C06	6	12.10	1 1/2	4 1/2	6 1/2	6	119	6050A06	1 1/2	90
6050C07	7	13.95	1 1/2	4 1/2	6 1/2	6	149	6050A07	1 1/2	120
6050C08	8	15.81	1 1/2	4 1/2	6 1/2	6	182	6050A08	1 1/2	153
6050C09	9	17.69	1 1/2	5 3/8	7 1/2	6 3/8	236	6050A09	1 1/2	192
6050C10	10	19.58	1 1/2	5 3/8	7 1/2	6 3/8	278	6050A10	1 1/2	235
6050C11	11	21.47	1 1/2	5 3/8	7 1/2	6 3/8	326	6050A11	1 1/2	283
6050C12	12	23.38	1 1/2	5 3/8	7 1/2	6 3/8	378	6050A12	1 1/2	334