

VALVE ACTUATOR

Inches

CGA Series of Worm Operators



- 90°-turning manual drive device suitable for ball valve, butterfly valve, cock valve and other types of valves.
- Allowable output torque range is 2390~221250 LBF. IN.
- Handwheel can be installed on both left and right sides.
- The dimensions joining with the valve are designed according to ISO5211/MSS SP-101.
- Loaded with grease inside gear body; shell sealed for waterproof protection (grade IP65), which are suitable for devices used indoor and outdoor.
- An anti-wrong-doing operation locking seat, a locking plate and an indication device are used together with a limiter switch at the customers' choice.
- There are two types: horizontal (H type) and vertical (V type).

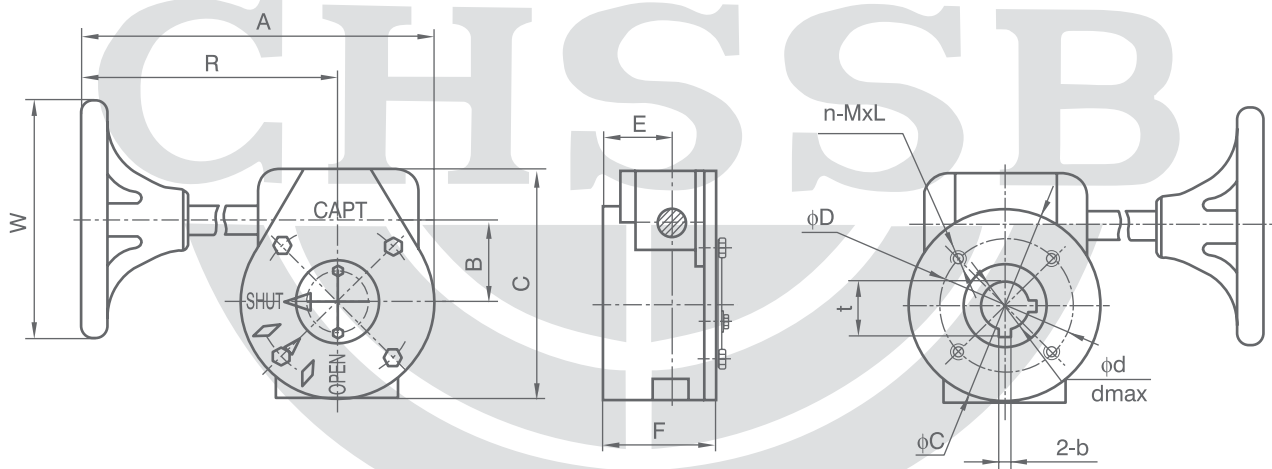
CGA Valve Technical Parameters of Actuators

Model	CGA24	CGA30	CGA50	CGA80	CGA200	CGA300	CGA320	CGA330	CGA410	CGA520
Geat Ratio	24:1	30:1	50:1	80:1	200:1	291:1	319:1	330:1	407:1	518:1
Max Travel	90°±5°	90°±5°	90°±5°	90°±5°	90°±5°	90°±5°	90°±5°	90°±5°	90°±5°	90°±5°
Rated Input (lbf-in)	708	1062	1062	1328	885	443	885	2124	—	—
Rated Output (lbf-in)	2390	6195	10620	17700	26550	26550	61950	106200	150450	221250
Efficiency	14	19.44	20	16.66	15	20.6	21.94	15.15	—	—
Weight (lb)	11/14	23	26	55	106	90	153	269	529	838
Max. Stem Dia. (in.)	1.02	1.18	1.77	2.13	2.13	2.13	2.60	3.94	3.94	3.94

VALVE ACTUATOR

Inches

CGA one-step valve actuator-H type



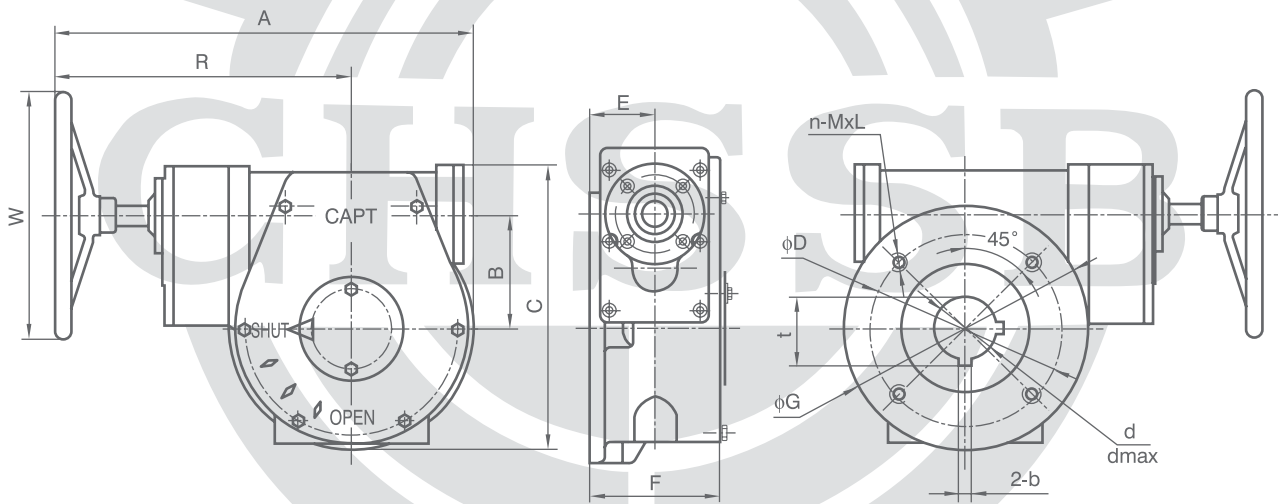
CGA Dimension table of one-step valve actuator -H type

model	calibre dia DN	dmax	d	b	t	φG	φD	n-MxL	A	B	C	E	F	W optional	R optional
CGA24	2"~3"	1.02	0.50	0.13	0.56	4.25	2.0	4-1/4-20UNCx0.40	9.76	1.77	5.04	1.50	2.52	6	7.64
	14"		0.63	0.19	0.72		2.75	4-5/16-18UNCx0.5							
	5"~6"		0.75		0.84		11.65								
CGA30	8"	1.18	0.87	0.19	0.96	6.06	4.0	4-3/8-16UNCx0.60	14.53	2.48	6.93	1.75	2.95	10	11.50
	10"	1.77	1.13	0.25	1.25		11.50	12	8.46						
CGA50	12"~14"	1.77	1.25	0.25	1.38	5.51	4.0	4-3/8-16UNCx0.60	16.02	3.07	7.48	1.75	2.95	12	12.87
CGA80	16"	2.13	1.31	0.31	1.44	7.76	5.5	4-5/8-11UNCx0.94	18.50	4.72	10.24	2.17	3.86	12	13.58
	18"		1.50		1.63				19.96					16	15.04

VALVE ACTUATOR

Inches

CGA multi-steps valve actuator-H type



CGA Dimension table of multi-steps valve actuator-H type

Model	Calibre Dia.	dmax	d	b	t	φG	φD	n-MxL	A	B	C	E	F	W optional	R optional
CGA200	20"	2.13	1.63	0.39	1.76	7.76	6.25	4-5/8-11UNCx1.06	18.74	4.72	12.32	—	6.06	12	13.31
	24"		2.00	0.63	2.17	10.87	8.50	4-3/4-10UNCx1.18							
CGA300	20"	2.13	1.63	0.38	1.80	9.84	5.50	4-5/8-11UNCx0.98	23.03	4.13	11.42	2.36	4.72	12	18.11
	24"		2.00	0.50	2.22		6.50	4-3/4-10UNCx1.18							
CGA320	28"~ 32"	2.60	2.17	4-0.63	2.33	11.81	10	8-5/8-11UNCx0.98	20.87	5.51	13.78	2.76	5.59	12	14.96
CGA330	36"	3.94	2.95	4-0.79	3.15	11.81	10	8-5/8-11UNCx0.98	28.54	7.48	19.06	—	7.01	32	21.46
CGA410	42"	3.94	4.33	4-1.0	4.77	17.32	11.75	8-3/4-10UNCx1.18	31.73	8.86	22.28	—	8.27	28	22.80
CGA520	48"	3.94	5.12	4-1.26	5.41	21.26	14	8-1-8UNCx1.77	37.01	10.39	27.01	—	10.12	32	26.38

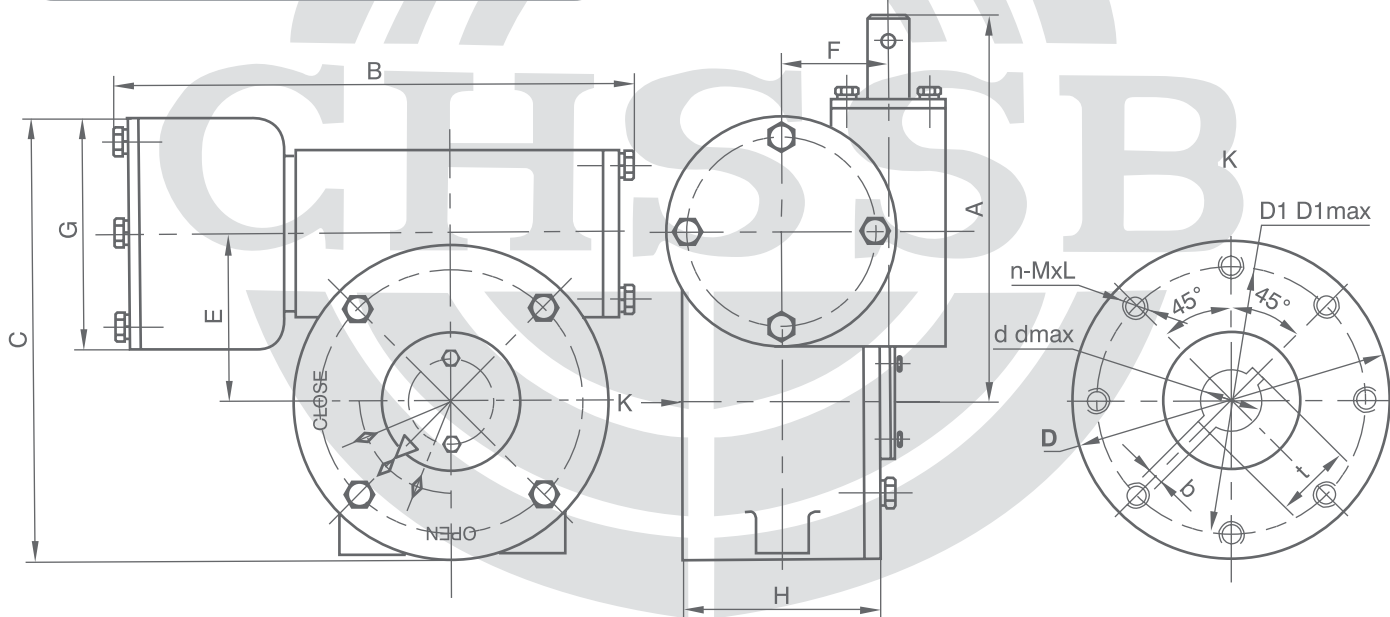
VALVE ACTUATOR

CGA two-steps valve worm gear operator-V type



CGA two-steps valve worm gear operator-V type

model	CGA350	CGA120
gear ratio	352:1	416:1
max travel	90° ± 5°	90° ± 5°
rated input (lbf. in)	1062	1150.5
rated output (lbf. in)	26550	35400
efficiency %	7.1	7.39
weight (lb)	93	121
max stem dia (in)	2.13	2.13



CGA Dimension table of two-step valve actuator -V type

model	calibre dia DN	dmax	d	b	t	D	D1	D1max	n-MxL	A	B	C	E	F	G	H
CGA350	18"~20"	2.13	1.63	0.38	1.81	9.06	6.25	6.50	4-5/8-11UNCx1.02	11.42	13.35	11.61	4.33	2.48	5.51	5.12
							6.50		4-3/4-10UNCx1.02							
CGA420	24"	2.13	2	0.5	2.24	10.04	6.50	8.50	8-3/4-10UNCx1.02	11.65	13.70	12.72	4.92			
							8.5									