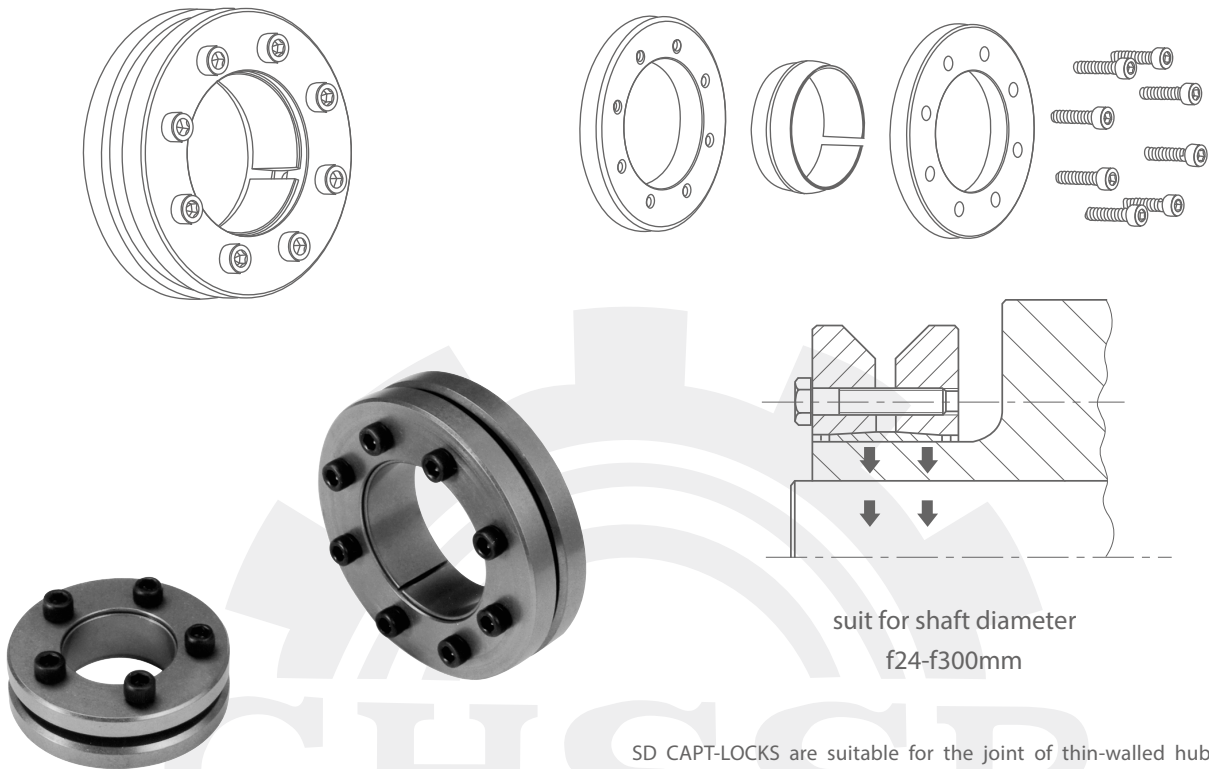


# CAPT-LOCKS



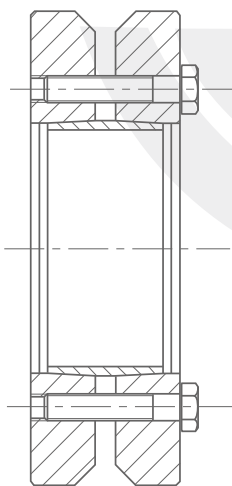
suit for shaft diameter  
f24-f300mm

SD CAPT-LOCKS are suitable for the joint of thin-walled hubs and shafts. They have the characteristics of big shaft diameter and capability of transmitting big torque.

The working principle of SD CAPT-LOCKS is as following :

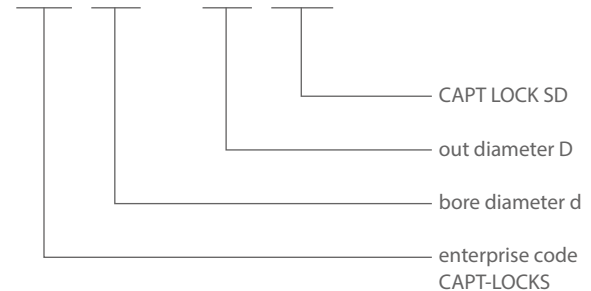
Under the pressure tightening bolts, two tightening rings with inner taper surface press the inner circle with outer taper surface and then make it contract to tighten the hubs and shafts. The emerged radial pressure and frictional force make the hubs and shafts join together.

SD CAPT-LOCKS are composed of inner circle, two taper tightening rings and the corresponding tightening bolts. Their structure is very simple, and can be installed and disassembled only with bolts,so it is very convenient to use.



Nomenclature for CAPT-LOCKS SD

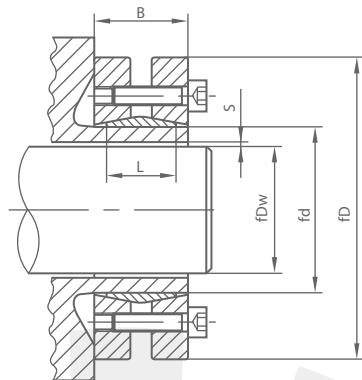
**CL 50 X 90 SD**



## SD CAPT-LOCKS

# CAPT-LOCKS

# SD



Max clearance between diameters S	DW	
	min	max
mm0.017	18	30
mm0.032	30	50
mm0.048	50	80
mm0.069	80	120
mm0.079	120	180
mm0.090	180	250
mm0.101	250	315
mm0.111	315	400
mm0.123	400	500

## SD CAPT-LOCKS®

Table:1

Catalog dxD	Fundamental dimensions			Screw bolt SizesxN	Rated load		Ps Mpa	Ph Mpa	Ma N.m	G Kg
	Dw	L	B		Ft(Kn)	Mt(Kn.m)				
CL24x50SD	19	14	19.5	M5x6	18	0.17	199	314	4.9	0.2
	20				21	0.21	216			
	21				23	0.25	232			
CL30x60SD	24	16	21.5	M5x7	20	0.25	164	254	4.9	0.3
	25				24	0.30	175			
	26				26	0.35	185			
CL36x72SD	28	18	23.5	M6x5	32	0.46	191	271	12	0.4
	30				38	0.57	210			
	31				39	0.60	204			
CL44x80SD	34	20	25.5	M6x7	46	0.78	200	278	12	0.6
	35				49	0.86	206			
	36				52	0.93	212			
CL50x90SD	38	22	27.5	M6x8	53	1.00	187	258	12	0.8
	40				59	1.18	197			
	42				65	1.36	207			
CL55x100SD	42	23	30.5	M6x8	53	1.12	165	226	12	1.1
	45				63	1.39	175			
	48				70	1.68	185			
CL62x110SD	48	23	30.5	M6x10	77	1.85	195	249	12	1.3
	50				83	2.08	202			
	52				86	2.21	200			
CL68x115SD	50	23	30.5	M6x10	72	1.78	173	229	12	1.4
	55				80	2.23	179			
	60				96	2.87	195			
CL75x138SD	55	25	32.5	M8x7	94	2.60	192	253	30	1.7
	60				111	3.31	206			
	65				126	4.12	218			
CL80x145SD	60	25	32.5	M8x7	99	2.98	185	239	30	1.9
	65				115	3.72	198			
	70				130	4.56	210			

# CAPT-LOCKS

# SD

## SD CAPT-LOCKS®

Table:2

Catalog dxD	Fundamental dimensions			SizesxN	Rated load		Ps Mpa	Ph Mpa	Ma N.m	G Kg
	Dw	L	B		Ft(Kn)	Mt(Kn.m)				
CL90x155SD	65	30	39	M8x10	140	4.61	203	255	30	3.3
	70				160	5.60	213			
	75				178	6.70	223			
CL100x170SD	70	34	44	M8x12	163	5.71	191	242	30	4.7
	75				182	6.84	200			
	80				202	8.09	208			
CL110x185SD	75	39	50	M10x9	185	6.97	178	226	59	5.9
	80				207	8.25	185			
	85				220	9.36	186			
CL125x215SD	85	42	54	M10x12	240	10.20	187	240	59	8.3
	90				262	11.80	194			
	95				285	13.50	200			
CL140x230SD	95	46	60.5	M12x10	308	14.60	196	242	100	10
	100				331	16.60	202			
	105				357	18.70	207			
CL155x265SD	105	50	64.5	M12x12	366	19.20	195	237	100	15
	110				392	21.60	200			
	115				417	24.00	203			
CL165x290SD	115	56	71	M16x8	513	29.50	222	259	250	22
	120				544	32.50	226			
	125				564	35.30	225			
CL175x300SD	125	56	71.4	M16x8	522	32.60	208	246	250	22
	130				552	35.90	212			
	135				584	39.40	215			
CL185x330SD	135	71	84	M16x10	665	45.0	194	228	250	37
	140				700	49.1	197			
	145				738	53.5	200			
CL195x350SD	140	71	86	M16x12	752	54.8	220	254	250	41
	150				860	64.6	226			
	155				900	69.8	228			
CL200x350SD	150	71	86	M16x12	860	64.6	226	254	250	41
	155				900	69.8	228			
	160				942	75.2	231			
CL220x370SD	160	88	104	M16x15	1041	83.0	206	234	250	54
	165				1080	89.2	208			
	170				1130	95.7	210			
CL240x405SD	170	92	109	M20x12	1300	111.0	233	260	490	67
	180				1400	126.0	237			
	190				1491	141.0	238			
CL260x430SD	190	103	120	M20x14	1570	149.0	224	251	490	82
	200				1690	169.0	228			
	210				1790	188.0	231			
CL280x460SD	210	114	134	M20x16	1860	196.0	218	241	490	102
	220				1990	219.0	221			
	230				2110	242.0	224			
CL330x485SD	230	122	142	M20x18	2190	251.0	217	237	490	118
	240				2310	277.0	220			
	245				2370	290.0	221			