

**NSPT** New Standard Power Transmission

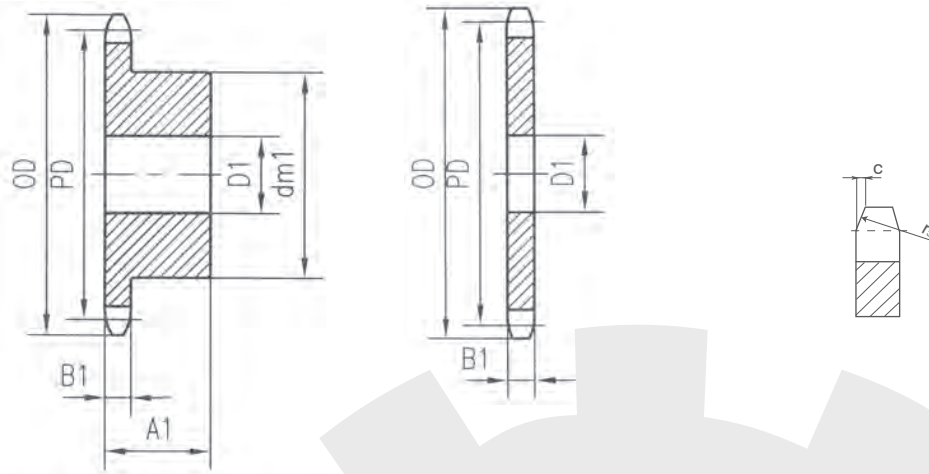
## ***Sprockets - Chain***

*CHSSB- Customers' Trusted Trademark*

*NSPT - Sprockets*

*Symbol of High Quality Products*



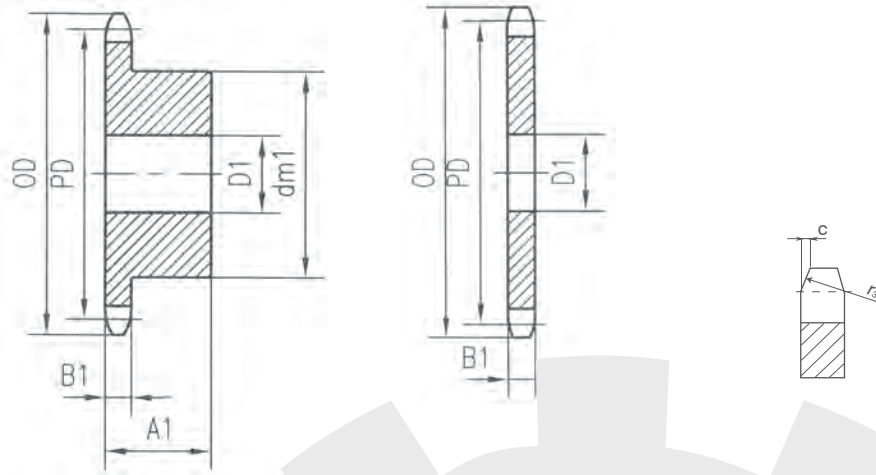


**25-1**  
1/4"X1/8"

Pinions		Inches
Tooth Radius	r <sub>3</sub>	0.268
Radius Width	C	0.032
Tooth Width	B <sub>1</sub>	0.110
ROLLER-Ø0.130"		

**25 FOR 1/4" PITCH ANSI CHAIN**

SINGLE-TYPE B								SINGLE-TYPE A		
TEETH NO.	CATALOG NO.	OD	BORE		dm <sub>1</sub>	A <sub>1</sub>	WT LBS	CATALOG NO.	STOCK BORE	WT. LBS
			STOCK	MAX						
9	S25B09	0.837	1/4	1/4	7/16	1/2	0.03			
10	S25B10	0.919	1/4	1/4	1/2	1/2	0.03			
11	S25B11	1.002	1/4	5/16	9/16	1/2	0.04			
12	S25B12	1.083	1/4	3/8	5/8	1/2	0.06			
13	S25B13	1.167	1/4	7/16	23/32	1/2	0.07			
14	S25B14	1.246	1/4	9/16	13/16	1/2	0.08			
15	S25B15	1.326	1/4	9/16	57/64	1/2	0.10			
16	S25B16	1.407	1/4	9/16	31/32	1/2	0.12			
17	S25B17	1.487	1/4	5/8	11/32	1/2	0.14			
18	S25B18	1.568	1/4	3/4	11/8	1/2	0.16	25A18	1/4	0.04
19	S25B19	1.648	1/4	13/16	17/32	1/2	0.19	25A19	1/4	0.04
20	S25B20	1.729	1/4	7/8	19/32	5/8	0.25	25A20	1/4	0.04
21	S25B21	1.809	1/4	7/8	13/8	5/8	0.28	25A21	3/8	0.04
22	S25B22	1.889	1/4	15/16	17/16	5/8	0.31	25A22	3/8	0.06
23	S25B23	1.969	1/4	1	11/2	5/8	0.32	25A23	3/8	0.06
24	S25B24	2.049	3/8	1	11/2	5/8	0.33	25A24	3/8	0.08
25	S25B25	2.129	3/8	1	11/2	5/8	0.34	25A25	3/8	0.08
26	S25B26	2.209	3/8	1	11/2	5/8	0.35	25A26	3/8	0.09
28	S25B28	2.369	3/8	1	11/2	5/8	0.36	25A28	3/8	0.10
30	S25B30	2.529	3/8	1	11/2	5/8	0.38	25A30	3/8	0.12
32	S25B32	2.688	3/8	1	11/2	5/8	0.40	25A32	3/8	0.14
35	S25B35	2.928	3/8	1	11/2	3/4	0.48	25A35	3/8	0.16
36	S25B36	3.008	3/8	1	11/2	3/4	0.50	25A36	3/8	0.18
40	S25B40	3.327	1/2	13/8	2	3/4	0.53	25A40	1/2	0.20
42	S25B42	3.487	1/2	13/8	2	3/4	0.54	25A42	1/2	0.24
45	S25B45	3.725	1/2	13/8	2	3/4	0.56	25A45	1/2	0.25
48	S25B48	3.964	1/2	13/8	2	3/4	0.56	25A48	1/2	0.32
54	S25B54	4.442	1/2	13/8	2	3/4	1.00	25A54	1/2	0.38
60	S25B60	4.920	1/2	13/8	2	3/4	1.10	25A60	1/2	0.54
70	S25B70	5.717	1/2	13/8	2	3/4	1.25	25A70	1/2	0.71
72	S25B72	5.876	1/2	13/8	2	3/4	1.30	25A72	1/2	0.74



35-1

3/8"X3/16"

Pinions		Inches
Tooth Radius	$r_3$	0.398
Radius Width	C	0.047
Tooth Width	$B_1$	0.168
ROLLER- $\phi 0.200$ "		

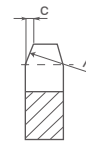
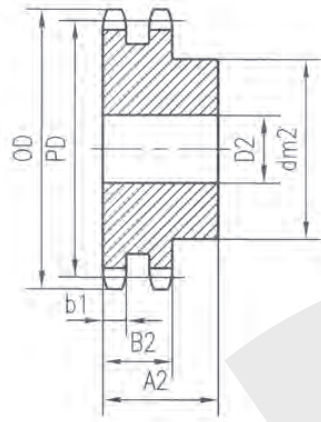
35-1 FOR 3/8" PITCH ANSI CHAIN

TEETH NO.	CATALOG NO.	OD	SINGLE-TYPE B				SINGLE-TYPE A			
			BORE		dm1	A1	WT LBS	CATALOG NO.	STOCK BORE	WT. B
			STOCK	MAX						
8	S35B8	1.130	3/8	3/8	3/4*	3/4	0.07			
9	S35B9	1.260	3/8	3/8	27/32*	3/4	0.09			
10	S35B10	1.380	3/8	9/16	31/32*	3/4	0.14			
11	S35B11	1.500	3/8	9/16	11/16*	3/4	0.17			
12	S35B12	1.630	1/2	9/16	17/32*	3/4	0.20			
13	S35B13	1.750	1/2	11/16	11/4*	3/4	0.23			
14	S35B14	1.870	1/2	7/8	11/4	3/4	0.25			
15	S35B15	1.990	1/2	7/8	111/32	3/4	0.29	35A15	1/2	0.10
16	S35B16	2.110	1/2	15/16	115/32	3/4	0.35	35A16	1/2	0.12
17	S35B17	2.230	1/2	11/16	119/32	3/4	0.42	35A17	1/2	0.12
18	S35B18	2.350	1/2	13/16	123/32	3/4	0.48	35A18	1/2	0.14
19	S35B19	2.470	1/2	11/4	127/32	3/4	0.54	35A19	1/2	0.16
20	S35B20	2.590	1/2	15/16	115/16	3/4	0.59	35A20	1/2	0.20
21	S35B21	2.710	1/2	13/8	2	7/8	0.80	35A21	1/2	0.20
22	S35B22	2.830	1/2	13/8	2	7/8	0.80	35A22	1/2	0.22
23	S35B23	2.950	1/2	13/8	2	7/8	0.82	35A23	1/2	0.24
24	S35B24	3.070	1/2	13/8	2	7/8	0.88	35A24	1/2	0.26
25	S35B25	3.190	1/2	13/8	2	7/8	0.88	35A25	1/2	0.28
26	S35B26	3.310	1/2	13/8	2	7/8	0.90	35A26	1/2	0.28
27	S35B27	3.430	1/2	13/8	2	7/8	0.94	35A27	1/2	0.34
28	S35B28	3.550	1/2	13/8	2	7/8	0.94	35A28	1/2	0.34
30	S35B30	3.790	1/2	13/8	2	7/8	1.02	35A30	1/2	0.46
32	S35B32	4.030	1/2	13/8	2	7/8	1.24	35A32	5/8	0.46
35	S35B35	4.390	5/8	11/2	21/4	7/8	1.50	35A35	5/8	0.60
36	S35B36	4.510	5/8	11/2	21/4	7/8	1.56	35A36	5/8	0.62
40	S35B40	4.990	5/8	11/2	21/4	1	1.62	35A40	19/32	0.70
42	S35B42	5.230	5/8	11/2	21/4	1	1.68	35A42	19/32	0.78
45	S35B45	5.590	5/8	11/2	21/4	1	1.78	35A45	19/32	0.88
48	S35B48	5.950	5/8	11/2	21/4	1	1.88	35A48	19/32	1.21
54	S35B54	6.660	5/8	11/2	21/4	1	2.20	35A54	19/32	1.32
60	S35B60	7.380	3/4	11/2	21/4	1	2.48	35A60	23/32	1.66
70	S35B70	8.580	3/4	11/2	21/4	1	3.12	35A70	23/32	2.30
72	S35B72	8.810	3/4	11/2	21/4	1	3.42	35A72	23/32	2.56
80	S35B80	9.770	3/4	11/2	21/4	1	3.82	35A80	23/32	3.16
84	S35B84	10.250	3/4	11/2	21/4	1	4.24	35A84	23/32	3.26
96	S35B96	11.680	3/4	11/2	21/4	1	5.16	35A96	23/32	4.64
112	S35B112	13.590	3/4	11/2	21/4	1	6.70	35A112	23/32	5.05

\*

**35-2**

3/8"X3/16



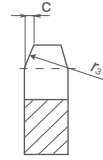
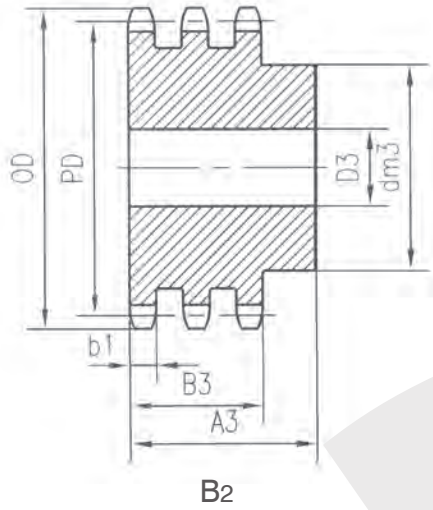
Pinions		Inches
Tooth Radius	r <sub>3</sub>	0.398
Radius Width	C	0.047
Tooth Width	b <sub>1</sub>	0.162
Tooth Width	B <sub>2</sub>	0.561
ROLLER-Ø0.200"		

**35-2 FOR 3/8" PITCH ANSI CHAIN**

TEETH NO.	CATALOG NO.	OD	TYPE	BORE		HUB		WT LBS.
				STOCK	MAX	dm2	A2	
12	D35B12	1.630	B2	1/2	9/16	63/64	1 1/4	0.32
13	D35B13	1.750	B2	1/2	11/16	17/64	1 1/4	0.36
14	D35B14	1.870	B2	1/2	7/8	1 1/4	1 1/4	0.44
15	D35B15	1.990	B2	1/2	15/16	113/32	1 1/4	0.56
16	D35B16	2.110	B2	1/2	15/16	115/32	1 1/4	0.64
17	D35B17	2.230	B2	1/2	1 1/16	119/32	1 1/4	0.74
18	D35B18	2.350	B2	1/2	1 3/16	123/32	1 1/4	0.84
19	D35B19	2.470	B2	1/2	1 5/16	17/8	1 1/4	0.96
20	D35B20	2.590	B2	3/4	1 5/16	115/16	1 3/8	1.08
21	D35B21	2.710	B2	3/4	1 3/8	21/16	1 3/8	1.24
22	D35B22	2.830	B2	3/4	1 7/16	23/16	1 3/8	1.42
23	D35B23	2.950	B2	3/4	1 1/2	21/4	1 3/8	1.54
24	D35B24	3.070	B2	3/4	1 1/2	21/4	1 3/8	1.62
25	D35B25	3.190	B2	3/4	1 1/2	21/4	1 3/8	1.66
26	D35B26	3.310	B2	3/4	1 3/4	21/2	1 3/8	1.98
30	D35B30	3.790	B2	3/4	1 3/4	21/2	1 3/8	2.34
36	D35B36	4.510	B2	3/4	1 3/4	21/2	1 3/8	3.00
42	D35B42	5.230	B2	3/4	1 3/4	21/2	1 3/8	3.80
48	D35B48	5.950	B2	3/4	1 3/4	21/2	1 3/8	4.66
52	D35B52	6.430	B2	3/4	1 3/4	21/2	1 3/8	5.40
60	D35B60	7.380	B2	3/4	1 3/4	21/2	1 3/8	6.84
68	D35B68	8.340	B2	3/4	2 3/8	3 1/2	1 1/2	10.01
72	D35B72	8.810	B2	3/4	2 3/8	3 1/2	1 1/2	11.04
76	D35B76	9.290	B2	3/4	2 3/8	3 1/2	1 1/2	11.94
84	D35B84	10.250	B2	3/4	2 3/8	3 1/2	1 1/2	14.98
95	D35B95	11.560	B2	1	2 3/8	3 1/2	1 1/2	17.42
96	D35B96	11.680	B2	1	2 3/8	3 1/2	1 1/2	18.14
102	D35B102	12.400	B2	1	2 3/8	3 1/2	1 1/2	19.92

**35-3**

**3/8"X3/16"**



Pinions		Inches
Tooth Radius	r <sub>3</sub>	0.398
Radius Width	C	0.047
Tooth Width	b <sub>1</sub>	0.162
Tooth Width	B <sub>3</sub>	0.960
ROLLER-Ø0.200"		

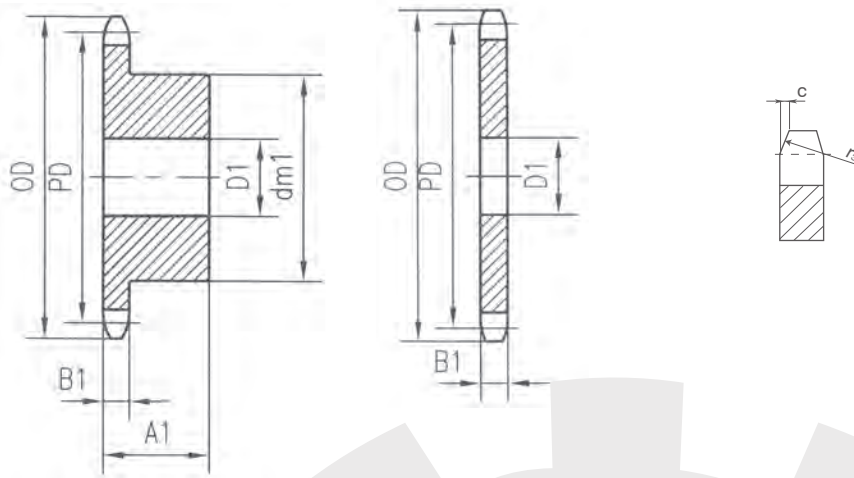
**35-3 FOR 3/8" PITCH ANSI CHAIN**

TEETH NO.	CATALOG NO.	OD	TYPE	BORE		HUB		WT LBS.
				STOCK	MAX	dm <sub>3</sub>	A <sub>3</sub>	
13	T35B13	1.750	B <sub>3</sub>	1/2	11/16	17/64	13/4	0.50
14	T35B14	1.870	B <sub>3</sub>	1/2	7/8	11/4	13/4	0.62
15	T35B15	1.990	B <sub>3</sub>	1/2	15/16	113/32	13/4	0.78
16	T35B16	2.110	B <sub>3</sub>	1/2	15/16	115/32	13/4	0.82
17	T35B17	2.230	B <sub>3</sub>	1/2	11/16	119/32	13/4	1.04
18	T35B18	2.350	B <sub>3</sub>	1/2	13/16	123/32	13/4	1.22
19	T35B19	2.470	B <sub>3</sub>	1/2	15/16	17/8	13/4	1.40
20	T35B20	2.590	B <sub>3</sub>	3/4	15/16	115/16	17/8	1.50
21	T35B21	2.710	B <sub>3</sub>	3/4	13/8	21/16	17/8	1.72
22	T35B22	2.830	B <sub>3</sub>	3/4	17/16	23/16	17/8	1.96
23	T35B23	2.950	B <sub>3</sub>	3/4	11/2	21/4	17/8	2.12
24	T35B24	3.070	B <sub>3</sub>	3/4	11/2	21/4	17/8	2.26
25	T35B25	3.190	B <sub>3</sub>	3/4	11/2	21/4	17/8	2.42
26	T35B26	3.310	B <sub>3</sub>	3/4	11/2	21/2	17/8	2.78
30	T35B30	3.790	B <sub>3</sub>	3/4	13/4	21/2	17/8	3.42
36	T35B36	4.510	B <sub>3</sub>	3/4	13/4	21/2	17/8	4.52
42	T35B42	5.230	B <sub>3</sub>	3/4	13/4	21/2	17/8	5.88
48	T35B48	5.950	B <sub>3</sub>	3/4	13/4	21/2	17/8	7.42
52	T35B52	6.430	B <sub>3</sub>	3/4	13/4	21/2	17/8	8.52
60	T35B60	7.380	B <sub>3</sub>	3/4	13/4	21/2	17/8	11.22
68	T35B68	8.340	B <sub>3</sub>	3/4	23/8	31/2	17/8	15.38
72	T35B72	8.810	B <sub>3</sub>	3/4	23/8	31/2	17/8	17.34
76	T35B76	9.290	B <sub>3</sub>	3/4	23/8	31/2	17/8	18.90
84	T35B84	10.250	B <sub>3</sub>	3/4	23/8	31/2	17/8	22.82
95	T35B95	11.560	B <sub>3</sub>	1	21/2	33/4	21/8	29.32
96	T35B96	11.680	B <sub>3</sub>	1	21/2	33/4	21/8	30.06
102	T35B102	12.400	B <sub>3</sub>	1	21/2	33/4	21/8	33.36

**S** standard  
**B** ore  
*Sprockets*

**41-1**

1/2"X1/4"



Pinions		Inches
Tooth Radius	r <sub>3</sub>	0.53
Radius Width	C	0.063
Tooth Width	B <sub>1</sub>	0.227
ROLLER-Ø0.306"		

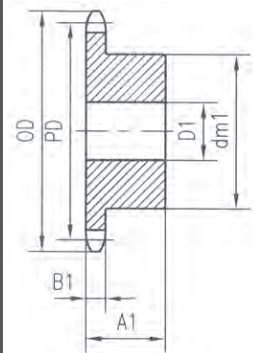
**41 FOR 1/2" PITCH ANSI CHAIN**

NO. TEETH	CATALOG NO.	O.D	SINGLE-TYPE B				SINGLE-TYPE A			
			BORE		dm <sub>1</sub>	A <sub>1</sub>	WT LBS	CATALOG NO.	STOCK BORE	WT. LES
			STOCK	MAX						
6	S41B6	1.170	3/8	3/8	21/32*	7/8	0.07			
7	S41B7	1.340	3/8	3/8	3/4*	7/8	0.10			
8	S41B8	1.510	1/2	1/2	63/64*	7/8	0.19			
9	S41B9	1.670	1/2	5/8	11/8*	7/8	0.20			
10	S41B10	1.840	1/2	3/4	11/4*	7/8	0.27			
11	S41B11	2.000	1/2	7/8	17/16*	7/8	0.35			
12	S41B12	2.170	1/2	15/16	19/16*	7/8	0.44			
13	S41B13	2.330	1/2	1	19/16	7/8	0.50			
14	S41B14	2.490	1/2	1 1/4	13/4	7/8	0.57			
15	S41B15	2.650	1/2	15/16	129/32	7/8	0.72	41A15	5/8	0.28
16	S41B16	2.810	5/8	13/8	21/16	7/8	0.91	41A16	5/8	0.34
17	S41B17	2.980	5/8	1 1/2	215/64	1	1.09	41A17	5/8	0.36
18	S41B18	3.140	5/8	15/8	23/8	1	1.25	41A18	5/8	0.44
19	S41B19	3.300	5/8	1 3/4	215/32	1	1.49	41A19	5/8	0.46
20	S41B20	3.460	5/8	17/8	23/4	1	1.64	41A20	5/8	0.52
21	S41B21	3.620	5/8	17/8	27/8	1	1.81	41A21	5/8	0.60
22	S41B22	3.780	5/8	2	3	1	1.93	41A22	5/8	0.66
23	S41B23	3.940	5/8	2 1/4	33/16	1	2.25	41A23	5/8	0.72
24	S41B24	4.100	5/8	2 1/4	31/4	1	2.33	41A24	5/8	0.82
25	S41B25	4.260	5/8	2 1/4	31/4	1	2.46	41A25	5/8	0.88
26	S41B26	4.420	5/8	2 1/4	31/4	1	2.50	41A26	5/8	0.94
27	S41B27	4.580	5/8	2 1/4	31/4	1	2.56	41A27	5/8	1.00
28	S41B28	4.740	5/8	2 1/4	31/4	1	2.64	41A28	5/8	1.08
30	S41B30	5.060	5/8	2 1/4	31/4	1	2.80	41A30	5/8	1.20
32	S41B32	5.380	5/8	2 1/4	31/4	1	2.96	41A32	19/32	1.44
35	S41B35	5.860	5/8	23/8	31/4	1	3.12	41A35	19/32	1.70
36	S41B36	6.020	5/8	23/8	31/4	1	3.32	41A36	19/32	1.84
40	S41B40	6.650	3/4	23/8	31/4	1 1/16	4.06	41A40	23/32	2.22
42	S41B42	6.970	3/4	23/8	31/2	1 1/16	4.10	41A42	23/32	2.50
45	S41B45	7.450	3/4	23/8	31/2	1 1/16	4.18	41A45	23/32	2.52
48	S41B48	7.930	3/4	23/8	31/2	1 1/16	4.92	41A48	23/32	2.92
54	S41B54	8.890	3/4	23/8	31/2	1 1/16	5.68	41A54	23/32	3.54
60	S41B60	9.840	3/4	23/8	31/2	1 1/16	6.78	41A60	23/32	4.60
70	S41B70	11.430	3/4	23/4	4	1 3/16	9.54	41A70	23/32	6.22
72	S41B72	11.750	3/4	23/4	4	1 3/16	9.64	41A72	23/32	6.32
80	S41B80	13.030	3/4	23/4	4	1 3/16	11.54	41A80	23/32	8.46
84	S41B84	13.660	3/4	23/4	4	1 3/16	12.20	41A84	23/32	9.12
96	S41B96	15.570	1	23/4	4	1 3/16	14.86	41A96	15/16	11.84
112	S41B112	18.120	1	23/4	4	1 3/16	19.16	41A112	15/16	15.84

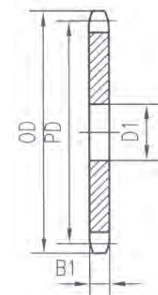
\*

40-1 FOR 1/2" PITCH ANSI CHAIN

SINGLE-TYPE B								SINGLE-TYPE A		
TEETH NO.	CATALOG NO.	OD	BORE		dm1	A1	WT LBS	CATALOG NO.	STOCK BORE	WT. LBS
			STOCK	MAX						
8	S40B8	1.500	1/2	1/2	31/32*	7/8	0.18			
9	S40B9	1.670	1/2	9/16	11/16*	7/8	0.20			
10	S40B10	1.840	1/2	3/4	1 1/4*	7/8	0.27			
11	S40B11	2.000	1/2	7/8	1 3/8*	7/8	0.35			
12	S40B12	2.170	1/2	1	1 9/16*	7/8	0.45	40A12	1/2	0.18
13	S40B13	2.330	1/2	1 1/16	1 9/16	7/8	0.50	40A13	1/2	0.22
14	S40B14	2.490	1/2	1 1/8	1 11/16	7/8	0.59	40A14	1/2	0.26
15	S40B15	2.650	1/2	1 1/4	1 13/16	7/8	0.70	40A15	5/8	0.30
16	S40B16	2.810	5/8	1 3/8	2	7/8	0.79	40A16	5/8	0.34
17	S40B17	2.980	5/8	1 7/16	2 1/8	1	1.04	40A17	5/8	0.36
18	S40B18	3.140	5/8	1 1/2	2 5/16	1	1.22	40A18	5/8	0.44
19	S40B19	3.300	5/8	1 3/4	2 1/2	1	1.43	40A19	5/8	0.46
20	S40B20	3.460	5/8	1 7/8	2 5/8	1	1.56	40A20	5/8	0.56
21	S40B21	3.620	5/8	1 7/8	2 3/4	1	1.73	40A21	5/8	0.58
22	S40B22	3.780	5/8	1 7/8	2 7/8	1	1.96	40A22	5/8	0.66
23	S40B23	3.940	5/8	2	3	1	2.13	40A23	5/8	0.72
24	S40B24	4.100	5/8	2 1/4	3 1/4	1	2.41	40A24	5/8	0.82
25	S40B25	4.260	5/8	2 1/4	3 1/4	1	2.54	40A25	5/8	0.88
26	S40B26	4.420	5/8	2 1/4	3 1/4	1	2.58	40A26	5/8	0.94
27	S40B27	4.580	5/8	2 1/4	3 1/4	1	2.66	40A27	5/8	0.98
28	S40B28	4.740	5/8	2 1/4	3 1/4	1	2.73	40A28	5/8	1.10
29	S40B29	4.900	5/8	2 1/4	3 1/4	1	2.98	40A29	19/32	1.22
30	S40B30	5.060	5/8	2 1/4	3 1/4	1	2.98	40A30	19/32	1.26
31	S40B31	5.220	5/8	2 1/4	3 1/4	1	3.16	40A31	19/32	1.40
32	S40B32	5.380	5/8	2 1/4	3 1/4	1	3.22	40A32	19/32	1.48
33	S40B33	5.540	5/8	2 1/4	3 1/4	1	3.22	40A33	19/32	1.56
34	S40B34	5.700	5/8	2 1/4	3 1/4	1	3.30	40A34	19/32	1.64
35	S40B35	5.860	5/8	2 1/4	3 1/4	1	3.46	40A35	19/32	1.70
36	S40B36	6.020	5/8	2 1/4	3 1/4	1	3.58	40A36	19/32	1.84
37	S40B37	6.180	5/8	2 1/4	3 1/4	1	3.70	40A37	19/32	1.92
38	S40B38	6.330	5/8	2 1/4	3 1/4	1	3.70	40A38	19/32	2.00
39	S40B39	6.490	5/8	2 1/4	3 1/4	1	4.69	40A39	19/32	2.02
40	S40B40	6.650	3/4	2 3/8	3 1/2	1 1/8	4.69	40A40	23/32	2.22
41	S40B41	6.810	3/4	2 3/8	3 1/2	1 1/8	4.76	40A41	23/32	2.42
42	S40B42	6.970	3/4	2 3/8	3 1/2	1 1/8	4.82	40A42	23/32	2.50
43	S40B43	7.130	3/4	2 3/8	3 1/2	1 1/8	5.30	40A43	23/32	2.80
44	S40B44	7.290	3/4	2 3/8	3 1/2	1 1/8	5.30	40A44	23/32	2.85
45	S40B45	7.450	3/4	2 3/8	3 1/2	1 1/8	5.30	40A45	23/32	3.15
46	S40B46	7.610	3/4	2 3/8	3 1/2	1 1/8	5.44	40A46	23/32	3.26
47	S40B47	7.770	3/4	2 3/8	3 1/2	1 1/8	5.44	40A47	23/32	3.32
48	S40B48	7.930	3/4	2 3/8	3 1/2	1 1/8	5.84	40A48	23/32	3.42
49	S40B49	8.090	3/4	2 3/8	3 1/2	1 1/8	5.84	40A49	23/32	3.44
50	S40B50	8.250	3/4	2 3/8	3 1/2	1 1/8	5.96	40A50	23/32	3.62
51	S40B51	8.410	3/4	2 3/8	3 1/2	1 1/8	5.96	40A51	23/32	3.94
52	S40B52	8.570	3/4	2 3/8	3 1/2	1 1/8	5.96	40A52	23/32	4.08
53	S40B53	8.730	3/4	2 3/8	3 1/2	1 1/8	6.42	40A53	23/32	4.24
54	S40B54	8.890	3/4	2 3/8	3 1/2	1 1/8	6.42	40A54	23/32	4.44
55	S40B55	9.040	3/4	2 3/8	3 1/2	1 1/8	6.42	40A55	23/32	4.54
56	S40B56	9.200	3/4	2 3/8	3 1/2	1 1/8	6.42	40A56	23/32	4.84
57	S40B57	9.360	3/4	2 3/8	3 1/2	1 1/8	6.42	40A57	23/32	5.00
58	S40B58	9.520	3/4	2 3/8	3 1/2	1 1/8	6.42	40A58	23/32	5.12
59	S40B59	9.680	3/4	2 3/8	3 1/2	1 1/8	6.42	40A59	23/32	5.30
60	S40B60	9.840	3/4	2 3/8	3 1/2	1 1/8	7.86	40S60	23/32	5.48
70	S40B70	11.430	3/4	2 3/4	4	1 1/4	11.00	40A70	23/32	7.24
72	S40B72	11.750	3/4	2 3/4	4	1 1/4	11.50	40A72	23/32	7.72
80	S40B80	13.030	3/4	2 3/4	4	1 1/4	13.40	40A80	23/32	10.20
84	S40B84	13.660	3/4	2 3/4	4	1 1/4	14.04	40A84	23/32	10.37
96	S40B96	15.570	1	2 3/4	4	1 1/4	17.56	40A96	15/16	12.15
112	S40B112	18.120	1	2 3/4	4	1 1/4	22.56	40A112	15/16	20.00



B  
B1=0.284"



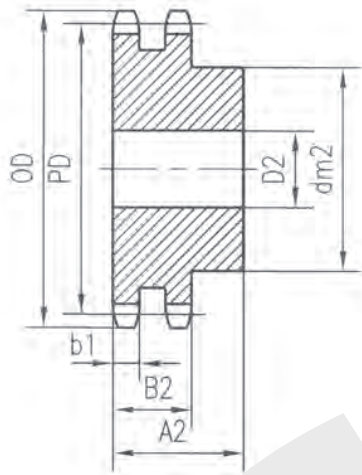
A



# Sprockets

## 40-2

### 1/2"X5/16"



Pinions		Inches
Tooth Radius	r <sub>3</sub>	0.530
Radius Width	C	0.063
Tooth Width	b <sub>1</sub>	0.275
Tooth Width	B <sub>2</sub>	0.841
ROLLER-Ø.0312"		

B<sub>2</sub>

## 40-2 FOR 1/2" PITCH ANSI CHAIN

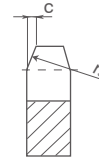
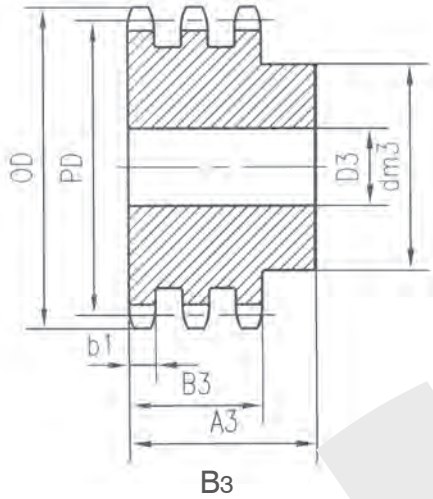
TEETH NO.	CATALOG NO.	OD	TYPE	BORE		HUB		WT LBS.
				STOCK	MAX	dm <sub>2</sub>	A <sub>2</sub>	
11	D40B11	2.000	B <sub>2</sub>	1/2	3/4	17/16*	11/2	0.62
12	D40B12	2.170	B <sub>2</sub>	1/2	15/16	19/16*	11/2	0.76
13	D40B13	2.330	B <sub>2</sub>	1/2	1	11/2	11/2	0.86
14	D40B14	2.490	B <sub>2</sub>	1/2	1 1/8	1 11/16	11/2	1.08
15	D40B15	2.650	B <sub>2</sub>	1/2	1 1/4	1 13/16	11/2	1.24
16	D40B16	2.810	B <sub>2</sub>	5/8	1 3/8	2	1 1/2	1.42
17	D40B17	2.980	B <sub>2</sub>	5/8	1 7/16	2 1/8	1 1/2	1.64
18	D40B18	3.140	B <sub>2</sub>	5/8	1 1/2	2 5/16	1 1/2	1.92
19	D40B19	3.300	B <sub>2</sub>	5/8	1 3/4	2 1/2	1 1/2	2.22
20	D40B20	3.460	B <sub>2</sub>	5/8	1 7/8	2 5/8	1 5/8	2.64
21	D40B21	3.620	B <sub>2</sub>	5/8	1 7/8	2 3/4	1 5/8	2.94
22	D40B22	3.780	B <sub>2</sub>	5/8	1 7/8	2 7/8	1 5/8	3.18
23	D40B23	3.940	B <sub>2</sub>	5/8	2	3	1 5/8	3.52
24	D40B24	4.100	B <sub>2</sub>	5/8	2 1/4	3 1/4	1 5/8	4.04
25	D40B25	4.260	B <sub>2</sub>	5/8	2 1/4	3 1/4	1 5/8	4.26
26	D40B26	4.420	B <sub>2</sub>	5/8	2 1/4	3 1/4	1 5/8	4.48
30	D40B30	5.060	B <sub>2</sub>	7/8	2 1/4	3 1/4	1 5/8	5.34
35	D40B35	5.860	B <sub>2</sub>	7/8	2 1/4	3 1/4	1 5/8	6.80
36	D40B36	6.020	B <sub>2</sub>	15/16	2 1/2	3 3/4	1 5/8	7.20
40	D40B40	6.650	B <sub>2</sub>	15/16	2 1/2	3 3/4	1 3/4	9.40
42	D40B42	6.970	B <sub>2</sub>	15/16	2 1/2	3 3/4	1 3/4	10.20
45	D40B45	7.450	B <sub>2</sub>	15/16	2 1/2	3 3/4	1 3/4	11.36
48	D40B48	7.930	B <sub>2</sub>	15/16	2 1/2	3 3/4	1 3/4	12.66
52	D40B52	8.570	B <sub>2</sub>	15/16	2 1/2	3 3/4	1 3/4	14.46
54	D40B54	8.890	B <sub>2</sub>	15/16	2 1/2	3 3/4	1 3/4	15.48
60	D40B60	9.840	B <sub>2</sub>	15/16	2 1/2	3 3/4	1 3/4	18.60
68	D40B68	11.120	B <sub>2</sub>	1 3/16	2 3/4	4 1/4	2 1/8	24.96
72	D40B72	11.750	B <sub>2</sub>	1 3/16	2 3/4	4 1/4	2 1/8	27.88
76	D40B76	12.390	B <sub>2</sub>	1 3/16	2 3/4	4 1/4	2 1/8	30.18
84	D40B84	13.660	B <sub>2</sub>	1 3/16	2 3/4	4 1/4	2 1/8	36.24
95	D40B95	15.410	B <sub>2</sub>	1 3/16	2 3/4	4 1/4	2 1/8	38.84
96	D40B96	15.570	B <sub>2</sub>	1 3/16	2 3/4	4 1/4	2 1/8	39.50
102	D40B102	16.530	B <sub>2</sub>	1 3/16	2 3/4	4 1/4	2 1/8	42.72
112	D40B112	18.120	B <sub>2</sub>	1 3/16	2 3/4	4 1/4	2 1/8	55.54

\*



**40-3**

1/2"X5/16"



Pinions		Inches
Tooth Radius	r <sub>3</sub>	0.530
Radius Width	C	0.063
Tooth Width	b <sub>1</sub>	0.275
Tooth Width	B <sub>3</sub>	1.407
ROLLER-Ø0.312"		

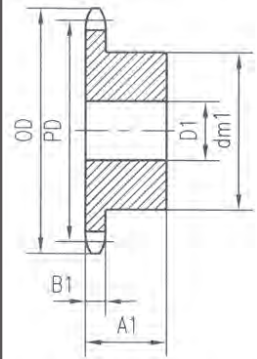
**40-3 FOR 1/2" PITCH ANSI CHAIN**

TEETH NO.	CATALOG NO.	OD	TYPE	BORE		HUB		WT. LBS.
				STOCK	MAX	dm <sub>3</sub>	A <sub>3</sub>	
11	T40B11	2.000	B <sub>3</sub>	1/2	3/4	17/16*	21/8	0.80
12	T40B12	2.170	B <sub>3</sub>	1/2	15/16	19/16*	21/8	1.10
13	T40B13	2.330	B <sub>3</sub>	1/2	1	11/2	21/8	1.24
14	T40B14	2.490	B <sub>3</sub>	1/2	1 1/8	1 11/16	21/8	1.50
15	T40B15	2.650	B <sub>3</sub>	1/2	1 1/4	1 13/16	21/8	1.76
16	T40B16	2.810	B <sub>3</sub>	5/8	1 3/8	2	21/8	2.04
17	T40B17	2.980	B <sub>3</sub>	5/8	1 7/16	2 1/8	21/8	2.34
18	T40B18	3.140	B <sub>3</sub>	5/8	1 1/2	2 5/16	21/8	2.72
19	T40B19	3.300	B <sub>3</sub>	5/8	1 3/4	2 1/2	21/8	3.10
20	T40B20	3.460	B <sub>3</sub>	5/8	1 7/8	2 5/8	2 1/4	3.72
21	T40B21	3.620	B <sub>3</sub>	5/8	1 7/8	2 3/4	2 1/4	4.06
22	T40B22	3.780	B <sub>3</sub>	5/8	1 7/8	2 7/8	2 1/4	4.52
23	T40B23	3.940	B <sub>3</sub>	5/8	2	3	2 1/4	4.96
24	T40B24	4.100	B <sub>3</sub>	5/8	2 1/4	3 1/4	2 1/4	5.64
25	T40B25	4.260	B <sub>3</sub>	5/8	2 1/4	3 1/4	2 1/4	6.02
26	T40B26	4.420	B <sub>3</sub>	5/8	2 1/4	3 1/4	2 1/4	6.36
30	T40B30	5.060	B <sub>3</sub>	7/8	2 1/4	3 1/4	2 1/4	7.84
35	T40B35	5.860	B <sub>3</sub>	7/8	2 1/4	3 1/4	2 1/4	10.30
36	T40B36	6.020	B <sub>3</sub>	15/16	2 1/2	3 3/4	2 3/8	11.72
42	T40B42	6.970	B <sub>3</sub>	15/16	2 1/2	3 3/4	2 3/8	15.36
48	T40B48	7.930	B <sub>3</sub>	15/16	2 1/2	3 3/4	2 3/8	19.36
52	T40B52	8.570	B <sub>3</sub>	15/16	2 1/2	3 3/4	2 3/8	22.44
60	T40B60	9.840	B <sub>3</sub>	15/16	2 1/2	3 3/4	2 3/8	30.02
68	T40B68	11.120	B <sub>3</sub>	1 3/16	2 3/4	4	2 5/8	38.44
72	T40B72	11.750	B <sub>3</sub>	1 3/16	2 3/4	4	2 5/8	42.46
76	T40B76	12.390	B <sub>3</sub>	1 3/16	2 3/4	4	2 5/8	46.90
84	T40B84	13.660	B <sub>3</sub>	1 3/16	2 3/4	4 1/4	2 3/4	57.30
95	T40B95	15.410	B <sub>3</sub>	1 3/16	2 3/4	4 1/4	2 3/4	62.18
102	T40B102	16.530	B <sub>3</sub>	1 3/16	2 3/4	4 1/4	2 3/4	68.40

\*

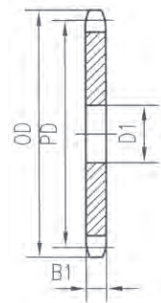
50-1 FOR 5/8" PITCH ANSI CHAIN

TEETH NO.	CATALOG NO.	OD	SINGLE-TYPE B				SINGLE-TYPE A			
			BORE		dm1	A1	WT LBS.	CATALOG NO.	STOCK BORE	WT. LBS.
			STOCK	MAX						
8	S50B8	1.880	5/8	5/8	1 1/8*	1	0.25			
9	S50B9	2.090	5/8	3/4	1 3/8*	1	0.36			
10	S50B10	2.300	5/8	7/8	1 9/16*	1	0.48			
11	S50B11	2.500	5/8	1	1 3/4*	1	0.64			
12	S50B12	2.710	5/8	1 1/4	1 63/64*	1	0.83	50A12	5/8	0.34
13	S50B13	2.910	5/8	1 5/16	1 7/8	1	0.88	50A13	5/8	0.42
14	S50B14	3.110	5/8	1 7/16	2 1/8	1	1.13	50A14	5/8	0.50
15	S50B15	3.320	5/8	1 1/2	2 3/8	1	1.34	50A15	5/8	0.54
16	S50B16	3.520	5/8	1 3/4	2 1/2	1	1.51	50A16	5/8	0.68
17	S50B17	3.720	5/8	1 7/8	2 11/16	1	1.74	50A17	5/8	0.76
18	S50B18	3.920	5/8	1 7/8	2 7/8	1	2.00	50A18	5/8	0.86
19	S50B19	4.120	5/8	2	3	1	2.22	50A19	5/8	0.94
20	S50B20	4.320	3/4	2	3	1	2.28	50A20	3/4	1.06
21	S50B21	4.520	3/4	2	3	1	2.40	50A21	3/4	1.12
22	S50B22	4.720	3/4	2	3	1	2.56	50A22	3/4	1.30
23	S50B23	4.920	3/4	2	3	1	2.66	50A23	3/4	1.44
24	S50B24	5.120	3/4	2	3	1 1/4	3.30	50A24	23/32	1.50
25	S50B25	5.320	3/4	2	3	1 1/4	3.40	50A25	23/32	1.62
26	S50B26	5.520	3/4	2	3	1 1/4	3.44	50A26	23/32	1.72
27	S50B27	5.720	3/4	2	3	1 1/4	3.74	50A27	23/32	1.96
28	S50B28	5.920	3/4	2	3	1 1/4	3.80	50A28	23/32	2.04
29	S50B29	6.120	3/4	2	3	1 1/4	4.06	50A29	23/32	2.36
30	S50B30	6.320	3/4	2 1/4	3 1/4	1 1/4	4.56	50A30	23/32	2.54
31	S50B31	6.520	3/4	2 1/4	3 1/4	1 1/4	4.74	50A31	23/32	2.80
32	S50B32	6.720	3/4	2 1/4	3 1/4	1 1/4	4.96	50A32	23/32	2.72
33	S50B33	6.920	3/4	2 1/4	3 1/4	1 1/4	5.20	50A33	23/32	3.14
34	S50B34	7.120	3/4	2 1/4	3 1/4	1 1/4	5.34	50A34	23/32	3.20
35	S50B35	7.320	3/4	2 1/4	3 1/4	1 1/4	5.44	50A35	23/32	3.34
36	S50B36	7.520	3/4	2 1/4	3 1/4	1 1/4	5.64	50A36	23/32	3.82
37	S50B37	7.720	3/4	2 1/4	3 1/4	1 1/4	5.90	50A37	23/32	3.98
38	S50B38	7.920	3/4	2 1/4	3 1/4	1 1/4	6.08	50A38	23/32	4.14
39	S50B39	8.120	3/4	2 1/4	3 1/4	1 1/4	6.30	50A39	23/32	4.42
40	S50B40	8.320	3/4	2 1/4	3 1/4	1 1/4	6.50	50A40	23/32	4.46
41		8.520						50A41	23/32	4.86
42	S50B42	8.720	3/4	2 1/4	3 1/4	1 1/4	6.96	50A42	23/32	4.98
43		8.910						50A43	23/32	5.24
44	S50B44	9.110	3/4	2 1/4	3 1/4	1 1/4	7.58	50A44	23/32	5.42
45	S50B45	9.310	3/4	2 1/2	3 3/4	1 1/4	8.58	50A45	23/32	5.92
46		9.510						50A46	15/16	6.42
47		9.710						50A47	15/16	6.50
48	S50B48	9.910	1	2 1/2	3 3/4	1 1/4	9.28	50A48	15/16	6.58
49		10.110						50A49	15/16	7.06
50	S50B50	10.310	1	2 1/2	3 3/4	1 1/4	9.88	50A50	15/16	7.10
51								50A51	15/16	7.32
52	S50B52	10.710	1	2 1/2	3 3/4	1 1/4	10.24	50A52	15/16	7.98
53		10.910						50A53	15/16	8.08
54	S50B54	11.110	1	2 1/2	3 3/4	1 1/4	11.00	50A54	15/16	8.30
55		11.310						50A55	15/16	8.56
56		11.500						50A56	15/16	8.90
57	S50B57	11.700	1	2 1/2	3 3/4	1 1/4	12.00	50A57	15/16	9.38
58		11.900						50A58	15/16	10.30
59		12.100						50A59	15/16	10.50
60	S50B60	12.300	1	2 1/2	3 3/4	1 1/4	13.00	50A60	15/16	10.80
70	S50B70	14.290	1	2 1/2	3 3/4	1 3/4	18.16	50A70	15/16	14.00
72	S50B72	14.690	1	2 1/2	3 3/4	1 3/4	19.48	50A72	15/16	15.24
76	S50B76	15.486	1	2 1/2	3 3/4	1 3/4	21.00	50A76	15/16	20.08
80	S50B80	16.280	1	2 3/4	4 1/4	1 3/4	24.74	50A80	15/16	21.00
84	S50B84	17.080	1	2 3/4	4 1/4	1 3/4	25.50	50A84	15/16	22.08
95	S50B95	19.270	1	2 3/4	4 1/4	1 3/4	32.00	50A95	15/16	27.00
96	S50B96	19.470	1	2 3/4	4 1/4	1 3/4	32.92	50A96	15/16	27.40
112	S50B112	22.650	1	2 3/4	4 1/4	1 3/4	42.00	50A112	15/16	37.70

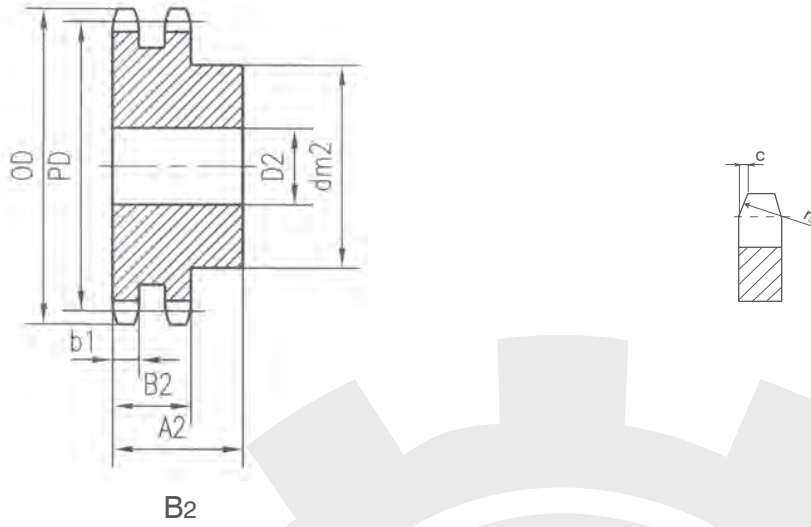


B

B1=0.343"



A



**50-2**

5/8"X3/8"

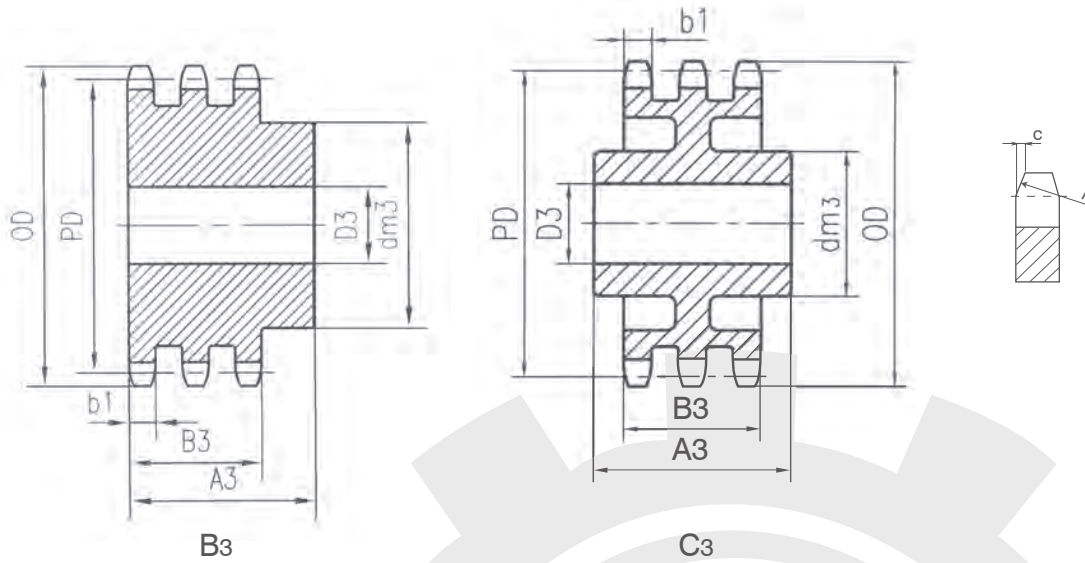
Pinions		Inches
Tooth Radius	r <sub>3</sub>	0.665
Radius Width	C	0.079
Tooth Width	b <sub>1</sub>	0.332
Tooth Width	B <sub>3</sub>	1.045
ROLLER-Ø0.400"		

**50-2 FOR 5/8" PITCH ANSI CHAIN**

TEETH NO.	CATALOG NO.	OD	TYPE	BORE		HUB		WT LBS.
				STOCK	MAX	dm <sub>2</sub>	A <sub>2</sub>	
11	D50B11	2.500	B <sub>2</sub>	5/8	15/16	1 15/32	1 3/4	0.96
12	D50B12	2.710	B <sub>2</sub>	5/8	1 1/8	1 11/16	1 3/4	1.25
13	D50B13	2.910	B <sub>2</sub>	5/8	1 5/16	1 7/8	1 3/4	1.56
14	D50B14	3.110	B <sub>2</sub>	5/8	1 3/8	2 1/16	1 3/4	1.86
15	D50B15	3.320	B <sub>2</sub>	3/4	1 1/2	2 5/16	1 3/4	2.22
16	D50B16	3.520	B <sub>2</sub>	3/4	1 3/4	2 1/2	1 3/4	2.62
17	D50B17	3.720	B <sub>2</sub>	3/4	1 7/8	2 11/16	1 3/4	3.04
18	D50B18	3.920	B <sub>2</sub>	3/4	1 15/16	2 15/16	1 3/4	3.58
19	D50B19	4.120	B <sub>2</sub>	1	2 1/8	3 1/8	1 3/4	3.90
20	D50B20	4.320	B <sub>2</sub>	1	2 1/4	3 1/4	1 3/4	4.26
21	D50B21	4.520	B <sub>2</sub>	1	2 3/8	3 1/2	1 3/4	4.90
22	D50B22	4.720	B <sub>2</sub>	1	2 3/8	3 9/16	1 7/8	5.58
23	D50B23	4.920	B <sub>2</sub>	1	2 1/2	3 5/8	1 7/8	6.10
24	D50B24	5.120	B <sub>2</sub>	1	2 1/2	3 5/8	1 7/8	6.50
25	D50B25	5.320	B <sub>2</sub>	1	2 1/2	3 5/8	1 7/8	6.94
26	D50B26	5.520	B <sub>2</sub>	1	2 1/2	3 3/4	1 7/8	7.54
30	D50B30	6.320	B <sub>2</sub>	1	2 1/2	3 3/4	1 7/8	9.40
32	D50B32	6.720	B <sub>2</sub>	1	2 1/2	3 3/4	1 7/8	10.46
35	D50B35	7.320	B <sub>2</sub>	1	2 1/2	3 3/4	1 7/8	12.28
36	D50B36	7.520	B <sub>2</sub>	13/16	2 3/4	4	2 1/8	13.94
40	D50B40	8.320	B <sub>2</sub>	13/16	2 3/4	4	2 1/8	16.54
42	D50B42	8.720	B <sub>2</sub>	13/16	2 3/4	4	2 1/8	17.92
45	D50B45	9.310	B <sub>2</sub>	13/16	2 3/4	4	2 1/8	20.30
48	D50B48	9.910	B <sub>2</sub>	13/16	2 3/4	4 1/4	2 3/8	24.08
52	D50B52	10.710	B <sub>2</sub>	13/16	2 3/4	4 1/4	2 3/8	27.42
54	D50B54	11.110	B <sub>2</sub>	13/16	2 3/4	4 1/4	2 3/8	29.16
60	D50B60	12.300	B <sub>2</sub>	15/16	3	4 1/2	2 3/8	35.88
72	D50B72	14.690	B <sub>2</sub>	15/16	3	4 1/2	2 3/8	50.22

**50-3**

5/8"X3/8"



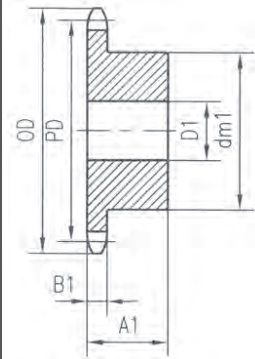
Pinions		Inches
Tooth Radius	r <sub>3</sub>	0.665
Radius Width	C	0.079
Tooth Width	b <sub>1</sub>	0.332
Tooth Width	B <sub>3</sub>	1.758
ROLLER-Ø0.400"		

**50-3 FOR 5/8" PITCH ANSI CHAIN**

TEETH NO.	CATALOG NO.	OD	TYPE	BORE		HUB		WT LBS.
				STOCK	MAX	dm3	LTB	
11	T50B11	2.500	B <sub>3</sub>	5/8	15/16	115/32	21/2	1.42
12	T50B12	2.710	B <sub>3</sub>	5/8	11/8	111/16	21/2	1.84
13	T50B13	2.910	B <sub>3</sub>	5/8	15/16	17/8	21/2	2.28
14	T50B14	3.110	B <sub>3</sub>	5/8	13/8	21/16	21/2	2.72
15	T50B15	3.320	B <sub>3</sub>	3/4	11/2	25/16	21/2	3.24
16	T50B16	3.520	B <sub>3</sub>	3/4	13/4	21/2	21/2	3.76
17	T50B17	3.720	B <sub>3</sub>	3/4	17/8	211/16	21/2	4.38
18	T50B18	3.920	B <sub>3</sub>	3/4	115/16	215/16	21/2	5.10
19	T50B19	4.120	B <sub>3</sub>	1	21/8	31/8	21/2	5.60
20	T50B20	4.320	B <sub>3</sub>	1	21/4	31/4	25/8	6.42
21	T50B21	4.520	B <sub>3</sub>	1	23/8	31/2	25/8	7.42
22	T50B22	4.720	B <sub>3</sub>	1	23/8	39/16	25/8	7.92
23	T50B23	4.920	B <sub>3</sub>	1	21/2	35/8	25/8	8.80
24	T50B24	5.120	B <sub>3</sub>	1	21/2	35/8	25/8	9.42
25	T50B25	5.320	B <sub>3</sub>	1	21/2	35/8	25/8	10.16
26	T50B26	5.520	B <sub>3</sub>	1	21/2	33/4	25/8	11.02
30	T50B30	6.320	B <sub>3</sub>	1	21/2	33/4	25/8	14.24
35	T50B35	7.320	B <sub>3</sub>	1	21/2	33/4	25/8	18.96
36	T50B36	7.520	B <sub>3</sub>	13/16	23/4	4	23/4	20.60
42	T50B42	8.720	B <sub>3</sub>	13/16	23/4	4	23/4	27.46
48	T50B48	9.910	B <sub>3</sub>	13/16	23/4	4	31/8	36.64
52	T50B52	10.710	B <sub>3</sub>	13/16	23/4	4	31/8	42.54
60	T50B60	12.300	B <sub>3</sub>	15/16	3	41/2	31/8	56.84
68	T50B68	13.890	B <sub>3</sub>	15/16	3	41/2	31/8	73.21
72	T50C72	14.690	C <sub>3</sub>	15/16	3	43/4	31/2	54.40
76	T50C76	15.490	C <sub>3</sub>	15/16	3	43/4	31/2	51.20
84	T50C84	17.080	C <sub>3</sub>	15/16	3	43/4	31/2	65.32
95	T50C95	19.270	C <sub>3</sub>	15/16	3	43/4	33/4	74.42
102	T50C102	20.660	C <sub>3</sub>	15/16	3	43/4	33/4	79.94

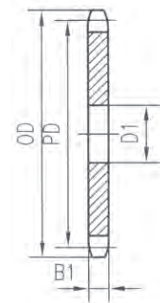
60-1 FOR 3/4" PITCH ANSI CHAIN

SINGLE-TYPE B							SINGLE-TYPE A			
TEETH NO.	CATALOG NO.	OD	BORE		dm1	A1	WT LBS.	CATALOG NO.	STOCK BORE	WT. LES.
			STOCK	MAX						
8	S60B8	2.260	5/8	5/8	1 15/32*	1 1/4	0.54			
9	S60B9	2.510	3/4	7/8	1 9/16*	1 1/4	0.64			
10	S60B10	2.760	3/4	1 1/8	1 15/16*	1 1/4	0.99	60A10	3/4	0.44
11	S60B11	3.000	3/4	1 5/16	2 1/16*	1 1/4	1.16	60A11	3/4	0.54
12	S60B12	3.250	3/4	1 3/8	2 3/8*	1 1/4	1.47	60A12	3/4	0.68
13	S60B13	3.490	3/4	1 1/2	2 11/32	1 1/4	1.66	60A13	3/4	0.80
14	S60B14	3.740	3/4	1 3/4	2 9/16	1 1/4	2.00	60A14	3/4	0.94
15	S60B15	3.980	3/4	1 7/8	2 7/8	1 1/4	2.51	60A15	3/4	1.08
16	S60B16	4.220	3/4	2	3 1/16	1 1/4	2.81	60A16	3/4	1.24
17	S60B17	4.460	3/4	2 1/4	3 1/4	1 1/4	3.22	60A17	3/4	1.44
18	S60B18	4.700	3/4	2 3/8	3 1/2	1 1/4	3.72	60A18	3/4	1.62
19	S60B19	4.950	3/4	2 3/8	3 1/2	1 1/4	3.92	60A19	3/4	1.84
20	S60B20	5.190	3/4	2 5/8	3 7/8	1 1/4	4.63	60A20	3/4	2.12
21	S60B21	5.430	3/4	2 3/4	4	1 1/4	5.00	60A21	3/4	2.28
22	S60B22	5.670	3/4	2 3/4	4	1 1/4	5.25	60A22	3/4	2.48
23	S60B23	5.910	3/4	2 3/4	4	1 1/4	5.48	60A23	3/4	2.68
24	S60B24	6.150	3/4	2 3/4	4	1 1/4	5.78	60A24	23/32	3.00
25	S60B25	6.390	3/4	2 3/4	4	1 1/4	6.13	60A25	23/32	3.34
26	S60B26	6.630	3/4	2 3/4	4	1 1/4	6.38	60A26	23/32	3.54
27	S60B27	6.870	3/4	2 3/4	4	1 1/4	6.72	60A27	23/32	3.96
28	S60B28	7.110	3/4	2 3/4	4	1 1/4	6.88	60A28	23/32	4.14
29	S60B29	7.350	3/4	2 3/4	4	1 1/4	7.28	60A29	23/32	4.40
30	S60B30	7.590	3/4	2 3/4	4	1 1/4	7.58	60A30	23/32	4.78
31	S60B31	7.830	3/4	2 3/4	4	1 1/4	7.72	60A31	23/32	5.24
32	S60B32	8.070	3/4	2 3/4	4	1 1/4	8.26	60A32	23/32	5.52
33	S60B33	8.300	1	2 3/4	4	1 1/4	8.42	60A33	15/16	5.86
34	S60B34	8.540	1	2 3/4	4	1 1/4	8.80	60A34	15/16	6.16
35	S60B35	8.780	1	2 3/4	4	1 1/4	9.04	60A35	15/16	6.78
36	S60B36	9.020	1	2 3/4	4	1 1/4	9.60	60A36	15/16	6.82
37	S60B37	9.260	1	2 3/4	4	1 1/4	10.24	60A37	15/16	7.52
38	S60B38	9.500	1	2 3/4	4 1/4	1 1/4	10.84	60A38	15/16	7.84
39	S60B39	9.740	1	2 3/4	4 1/4	1 1/4	11.36	60A39	15/16	8.28
40	S60B40	9.980	1	2 3/4	4 1/4	1 1/4	11.50	60A40	15/16	8.56
41	S60B41	10.220	1	2 3/4	4 1/4	1 1/4	12.14	60A41	15/16	9.10
42	S60B42	10.460	1	2 3/4	4 1/4	1 1/4	12.74	60A42	15/16	9.84
43		10.700						60A43	15/16	10.24
44	S60B44	10.940	15/16	2 3/4	4 1/4	1 1/4	13.88	60A44	15/16	10.76
45	S60B45	11.180	15/16	2 3/4	4 1/4	1 1/4	13.98	60A45	15/16	11.08
46		11.420						60A46	15/16	11.50
47	S60B47	11.650	15/16	2 3/4	4 1/4	1 1/4	15.00	60A47	15/16	12.32
48	S60B48	11.890	15/16	2 3/4	4 1/4	1 1/4	15.82	60A48	15/16	12.42
49		12.130						60A49	15/16	12.92
50	S60B50	12.370	15/16	2 3/4	4 1/4	1 1/4	17.66	60A50	15/16	13.98
51		12.610						60A51	15/16	14.58
52		12.850						60A52	15/16	14.78
53		13.090						60A53	15/16	15.84
54	S60B54	13.330	15/16	2 3/4	4 1/4	1 3/4	21.60	60A54	15/16	15.92
55		13.570						60A55	1 1/4	16.96
56	S60B56	13.810	1 1/4	2 3/4	4 1/4	1 3/4	21.88	60A56	1 1/4	17.60
57		14.040						60A57	1 1/4	18.62
58		14.280						60A58	1 1/4	19.00
59		14.520						60A59	1 1/4	20.02
60	S60B60	14.760	1 1/4	2 3/4	4 1/4	1 3/4	25.22	60A60	1 1/4	23.00
64	S60B64	15.720	1 1/4	2 3/4	4 1/4	1 3/4	27.40	60A64	1 1/4	23.24
65	S60B65	15.960	1 1/4	2 3/4	4 1/4	1 3/4	28.92	60A65	1 1/4	24.42
66		16.190						60A66	1 1/4	25.54
68	S60B68	16.670	1 1/4	2 3/4	4 1/4	1 3/4	30.28	60A68	1 1/4	27.20
70	S60B70	17.150	1 1/4	2 3/4	4 1/4	1 3/4	31.98	60A70	1 1/4	28.90
72	S60B72	17.630	1 1/4	2 3/4	4 1/4	2	34.18	60A72	1 1/4	32.34
76	S60B76	18.580	1 1/4	2 3/4	4 1/4	2	38.06	60A76	1 1/4	45.50
80	S60B80	19.540	1 1/4	2 3/4	4 1/4	2	41.88	60A80	1 1/4	46.80
84	S60B84	20.490	1 1/4	3 1/4	4 3/4	2	46.46	60A84	1 1/4	48.44
90	S60B90	21.930	1 1/4	3 5/16	5	2 1/4	63.20	60A90	1 1/4	52.02



B

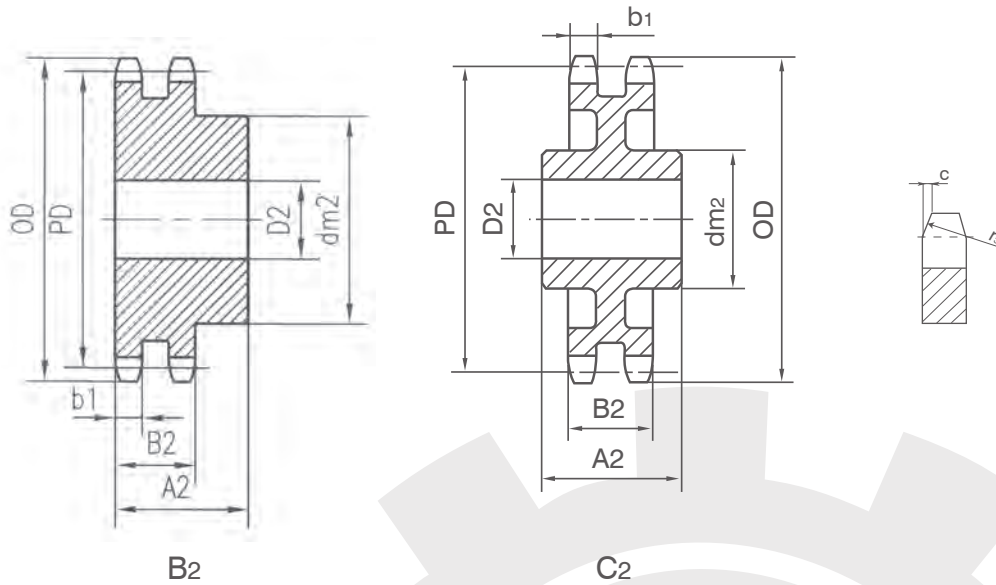
B1=0.459"



A

60-2

3/4"X1/2"



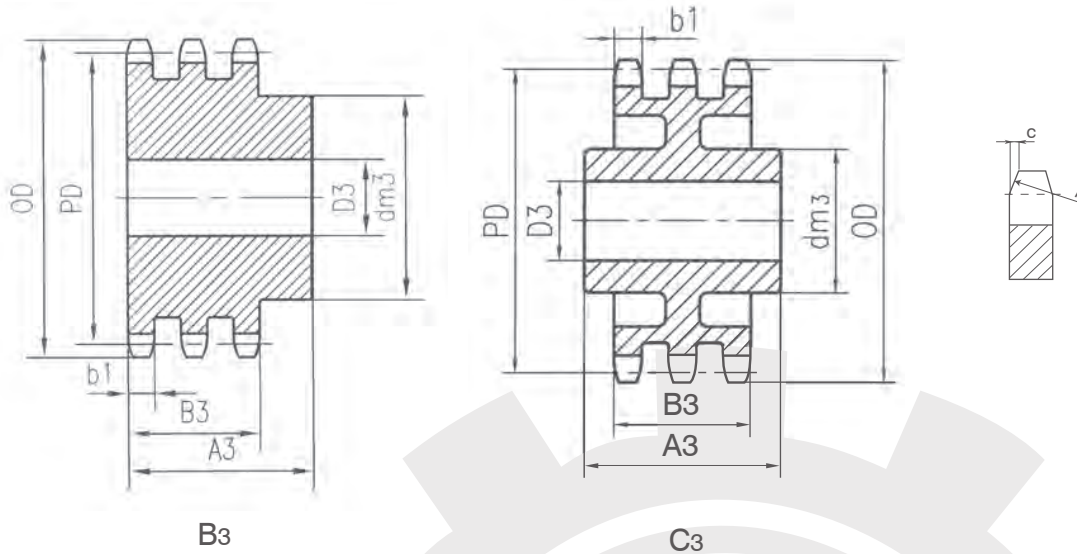
Pinions		Inches
Tooth Radius	$r_3$	0.799
Radius Width	C	0.094
Tooth Width	$b_1$	0.444
Tooth Width	$B_2$	1.341
ROLLER- $\phi 0.459$ "		

60-2 FOR 3/4" PITCH ANSI CHAIN

TEETH NO.	CATALOG NO.	OD	TYPE	BORE		HUB		WT LBS.
				STOCK	MAX	dm2	A2	
11	D60B11	3.000	B2	1	1 1/4	1 13/16	2 1/8	1.62
12	D60B12	3.250	B2	1	1 7/16	2 1/8	2 1/8	2.20
13	D60B13	3.490	B2	1	1 1/2	2 1/4	2 1/8	2.60
14	D60B14	3.740	B2	1	1 3/4	2 1/2	2 1/8	3.24
15	D60B15	3.980	B2	1	1 7/8	2 13/16	2 1/8	3.96
16	D60B16	4.220	B2	1	2	3	2 1/8	4.62
17	D60B17	4.460	B2	1	2 1/4	3 1/4	2 1/8	5.40
18	D60B18	4.700	B2	1	2 3/8	3 1/2	2 1/8	6.24
19	D60B19	4.950	B2	1	2 1/2	3 11/16	2 1/8	7.00
20	D60B20	5.190	B2	1	2 1/2	3 3/4	2 1/8	7.72
21	D60B21	5.430	B2	1	2 3/4	4 1/8	2 1/8	8.82
22	D60B22	5.670	B2	1	2 3/4	4 1/4	2 1/8	9.68
23	D60B23	5.910	B2	1	2 3/4	4 1/4	2 1/8	10.30
24	D60B24	6.150	B2	1	2 3/4	4 1/4	2 1/8	11.14
25	D60B25	6.390	B2	1	2 3/4	4 1/4	2 1/8	11.96
26	D60B26	6.630	B2	1	2 3/4	4 1/4	2 1/8	12.70
30	D60B30	7.590	B2	1	2 3/4	4 1/4	2 1/8	16.36
32	D60B32	8.070	B2	1 1/4	3	4 1/2	2 3/8	19.52
35	D60B35	8.780	B2	1 1/4	3	4 1/2	2 3/8	22.80
36	D60B36	9.020	B2	1 1/4	3	4 1/2	2 3/8	23.82
40	D60B40	9.980	B2	1 1/4	3 1/4	4 3/4	2 3/4	30.84
42	D60B42	10.460	B2	1 1/4	3 1/4	4 3/4	2 3/4	33.08
45	D60B45	11.180	B2	1 1/4	3 1/4	4 3/4	2 3/4	37.08
52	D60B52	12.850	B2	1 1/4	3 1/4	4 3/4	2 3/4	48.70
60	D60B60	14.760	B2	1 1/4	3 1/4	4 3/4	2 3/4	63.10
68	D60C68	16.670	C2	1 1/4	3 5/16	5	3	68.68
72	D60C72	17.630	C2	1 1/4	3 5/16	5	3	78.74
76	D60C76	18.580	C2	1 1/4	3 5/16	5	3	82.28
95	D60C95	23.120	C2	1 1/4	3 3/4	5 1/2	3 1/2	97.14

**60-3**

3/4"X1/2"



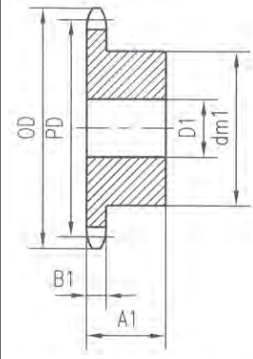
Pinions		Inches
Tooth Radius	r <sub>3</sub>	0.799
Radius Width	C	0.094
Tooth Width	b <sub>1</sub>	0.444
Tooth Width	B <sub>3</sub>	2.238
ROLLER-Ø0.459"		

**60-3 FOR 3/4" PITCH ANSI CHAIN**

TEETH NO.	CATALOG NO.	OD	TYPE	BORE		HUB		WT LBS.
				STOCK	MAX	dm <sub>3</sub>	A <sub>3</sub>	
11	T60B11	3.000	B <sub>3</sub>	1	1 1/4	1 13/16	3	2.5
12	T60B12	3.250	B <sub>3</sub>	1	1 7/16	2 1/8	3	3.3
13	T60B13	3.490	B <sub>3</sub>	1	1 1/2	2 1/4	3	3.9
14	T60B14	3.740	B <sub>3</sub>	1	1 3/4	2 1/2	3	4.5
15	T60B15	3.980	B <sub>3</sub>	1	1 7/8	2 13/16	3	5.4
16	T60B16	4.220	B <sub>3</sub>	1	2	3	3	6.5
17	T60B17	4.460	B <sub>3</sub>	1	2 1/4	3 1/4	3	7.7
18	T60B18	4.700	B <sub>3</sub>	1	2 3/8	3 1/2	3	8.5
19	T60B19	4.950	B <sub>3</sub>	1	2 1/2	3 11/16	3	10.0
20	T60B20	5.190	B <sub>3</sub>	1	2 1/2	3 3/4	3	11.2
21	T60B21	5.430	B <sub>3</sub>	1	2 3/4	4 1/8	3	12.5
22	T60B22	5.670	B <sub>3</sub>	1	2 3/4	4 1/4	3	13.2
23	T60B23	5.910	B <sub>3</sub>	1	2 3/4	4 1/4	3	14.6
24	T60B24	6.150	B <sub>3</sub>	1	2 3/4	4 1/4	3	15.8
25	T60B25	6.390	B <sub>3</sub>	1	2 3/4	4 1/4	3	17.0
26	T60B26	6.630	B <sub>3</sub>	1	2 3/4	4 1/4	3	18.6
30	T60B30	7.590	B <sub>3</sub>	1	2 3/4	4 1/4	3	23.2
35	T60B35	8.780	B <sub>3</sub>	1 1/4	3	4 1/2	3 1/4	34.5
36	T60B36	9.020	B <sub>3</sub>	1 1/4	3	4 1/2	3 1/4	37.0
42	T60B42	10.460	B <sub>3</sub>	1 1/4	3 1/4	4 3/4	3 5/8	49.0
45	T60B45	11.180	B <sub>3</sub>	1 1/4	3 1/4	4 3/4	3 5/8	57.0
52	T60C52	12.850	C <sub>3</sub>	1 1/4	3 1/4	4 3/4	3 1/2	73.0
60	T60C60	14.760	C <sub>3</sub>	1 1/4	3 1/4	4 3/4	3 1/2	63.0
68	T60C68	16.670	C <sub>3</sub>	1 1/4	3 1/4	5	3 1/2	73.0
72	T60C72	17.630	C <sub>3</sub>	1 1/4	3 1/4	5	3 1/2	85.0
76	T60C76	18.580	C <sub>3</sub>	1 1/2	3 3/4	5 1/2	3 1/2	92.0
95	T60C95	23.120	C <sub>3</sub>	1 1/2	3 3/4	5 1/2	4	105.0

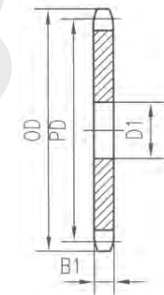
80-1 FOR 1/2" PITCH ANSI CHAIN

SINGLE-TYPE B								SINGLE-TYPE A		
TEETH NO.	CATALOG NO.	OD	BORE		dm1	A1	WT LBS	CATALOG NO.	STOCK BORE	WT. LES
			STOCK	MAX						
8	S80B8	3.010	1	1	1 <sup>15/16</sup> *	1 <sup>5/8</sup>	1.4			
9	S80B9	3.350	1	1 <sup>5/16</sup>	2 <sup>1/4</sup> *	1 <sup>5/8</sup>	1.6	80A9	1 <sup>5/16</sup>	0.8
10	S80B10	3.680	1	1 <sup>1/2</sup>	2 <sup>9/16</sup> *	1 <sup>5/8</sup>	2.2	80A10	1 <sup>5/16</sup>	1.0
11	S80B11	4.010	1	1 <sup>5/8</sup>	2 <sup>13/16</sup> *	1 <sup>5/8</sup>	3.2	80A11	1 <sup>5/16</sup>	1.3
12	S80B12	4.330	1	1 <sup>7/8</sup>	3 <sup>1/8</sup> *	1 <sup>5/8</sup>	3.4	80A12	1 <sup>5/16</sup>	1.5
13	S80B13	4.660	1	2	3	1 <sup>1/2</sup>	3.5	80A13	1 <sup>5/16</sup>	1.8
14	S80B14	4.980	1	2 <sup>1/4</sup>	3 <sup>1/4</sup>	1 <sup>1/2</sup>	4.1	80A14	1 <sup>5/16</sup>	2.2
15	S80B15	5.300	1	2 <sup>1/2</sup>	3 <sup>13/16</sup>	1 <sup>1/2</sup>	5.3	80A15	1 <sup>5/16</sup>	2.5
16	S80B16	5.630	1	2 <sup>3/4</sup>	4	1 <sup>1/2</sup>	5.9	80A16	1 <sup>5/16</sup>	2.9
17	S80B17	5.950	1	2 <sup>3/4</sup>	4	1 <sup>1/2</sup>	6.6	80A17	1 <sup>5/16</sup>	3.3
18	S80B18	6.270	1	2 <sup>3/4</sup>	4 <sup>1/4</sup>	1 <sup>1/2</sup>	7.3	80A18	1 <sup>5/16</sup>	3.7
19	S80B19	6.590	1	2 <sup>3/4</sup>	4 <sup>1/4</sup>	1 <sup>1/2</sup>	7.8	80A19	1 <sup>5/16</sup>	4.1
20	S80B20	6.910	1	2 <sup>3/4</sup>	4 <sup>1/4</sup>	1 <sup>1/2</sup>	8.4	80A20	1 <sup>5/16</sup>	4.7
21	S80B21	7.240	1	2 <sup>3/4</sup>	4 <sup>1/4</sup>	1 <sup>3/4</sup>	9.4	80A21	1 <sup>5/16</sup>	4.9
22	S80B22	7.560	1	2 <sup>3/4</sup>	4 <sup>1/4</sup>	1 <sup>3/4</sup>	10.0	80A22	1 <sup>5/16</sup>	5.5
23	S80B23	7.880	1	2 <sup>3/4</sup>	4 <sup>1/4</sup>	1 <sup>3/4</sup>	10.7	80A23	1 <sup>5/16</sup>	6.3
24	S80B24	8.200	1	2 <sup>3/4</sup>	4 <sup>1/4</sup>	1 <sup>3/4</sup>	11.3	80A24	1 <sup>5/16</sup>	6.7
25	S80B25	8.520	1	2 <sup>3/4</sup>	4 <sup>1/4</sup>	1 <sup>3/4</sup>	11.9	80A25	1 <sup>5/16</sup>	7.2
26	S80B26	8.840	1 <sup>1/4</sup>	3 <sup>1/4</sup>	4 <sup>3/4</sup>	2	14.3	80A26	1 <sup>3/16</sup>	7.8
27	S80B27	9.160	1 <sup>1/4</sup>	3 <sup>1/4</sup>	4 <sup>3/4</sup>	2	15.4	80A27	1 <sup>3/16</sup>	8.6
28	S80B28	9.480	1 <sup>1/4</sup>	3 <sup>1/4</sup>	4 <sup>3/4</sup>	2	16.0	80A28	1 <sup>3/16</sup>	9.3
29	S80B29	9.800	1 <sup>3/16</sup>	3 <sup>1/4</sup>	4 <sup>3/4</sup>	2	17.1	80A29	1 <sup>3/16</sup>	9.8
30	S80B30	10.110	1 <sup>3/16</sup>	3 <sup>1/4</sup>	4 <sup>3/4</sup>	2	17.4	80A30	1 <sup>3/16</sup>	10.7
31	S80B31	10.430	1 <sup>3/16</sup>	3 <sup>1/4</sup>	4 <sup>3/4</sup>	2	18.7	80A31	1 <sup>3/16</sup>	11.3
32	S80B32	10.750	1 <sup>3/16</sup>	3 <sup>1/4</sup>	4 <sup>3/4</sup>	2	19.5	80A32	1 <sup>3/16</sup>	12.11
33	S80B33	11.070	1 <sup>3/16</sup>	3 <sup>1/4</sup>	4 <sup>3/4</sup>	2	19.6	80A33	1 <sup>3/16</sup>	13.6
34	S80B34	11.390	1 <sup>3/16</sup>	3 <sup>1/4</sup>	4 <sup>3/4</sup>	2	21.3	80A34	1 <sup>3/16</sup>	14.3
35	S80B35	11.710	1 <sup>3/16</sup>	3 <sup>1/4</sup>	4 <sup>3/4</sup>	2	22.1	80A35	1 <sup>3/16</sup>	14.8
36	S80B36	12.030	1 <sup>3/16</sup>	3 <sup>1/4</sup>	4 <sup>3/4</sup>	2	23.1	80A36	1 <sup>3/16</sup>	16.1
37		12.350						80A37	1 <sup>3/16</sup>	16.8
38	S80B38	12.670	1 <sup>3/16</sup>	3 <sup>1/4</sup>	4 <sup>3/4</sup>	2	24.7	80A38	1 <sup>3/16</sup>	17.2
39	S80B39	12.990	1 <sup>3/16</sup>	3 <sup>1/4</sup>	4 <sup>3/4</sup>	2	25.6	80A39	1 <sup>3/16</sup>	17.9
40	S80B40	13.310	1 <sup>3/16</sup>	3 <sup>1/4</sup>	4 <sup>3/4</sup>	2	26.7	80A40	1 <sup>3/16</sup>	18.9
41	S80B41	13.630	1 <sup>1/4</sup>	3 <sup>1/4</sup>	4 <sup>3/4</sup>	2	27.8	80A41	1 <sup>1/4</sup>	21.0
42	S80B42	13.940	1 <sup>1/4</sup>	3 <sup>1/4</sup>	4 <sup>3/4</sup>	2	28.7	80A42	1 <sup>1/4</sup>	21.8
43		14.260						80A43	1 <sup>1/4</sup>	23.6
44	S80B44	14.580	1 <sup>1/4</sup>	3 <sup>1/4</sup>	4 <sup>3/4</sup>	2	29.9	80A44	1 <sup>1/4</sup>	24.3
45	S80B45	14.900	1 <sup>1/4</sup>	3 <sup>1/4</sup>	4 <sup>3/4</sup>	2	31.4	80A45	1 <sup>1/4</sup>	25.2
46	S80B46	15.220	1 <sup>1/4</sup>	3 <sup>1/4</sup>	4 <sup>3/4</sup>	2	33.1	80A46	1 <sup>1/4</sup>	26.6
47	S80B47	15.540	1 <sup>1/4</sup>	3 <sup>1/4</sup>	4 <sup>3/4</sup>	2	34.0	80A47	1 <sup>1/4</sup>	27.4
48	S80B48	15.860	1 <sup>1/4</sup>	3 <sup>1/4</sup>	4 <sup>3/4</sup>	2	35.5	80A48	1 <sup>1/4</sup>	27.8
49	S80B49	16.180	1 <sup>1/4</sup>	3 <sup>1/4</sup>	4 <sup>3/4</sup>	2	35.8	80A49	1 <sup>1/4</sup>	28.9
50	S80B50	16.500	1 <sup>1/4</sup>	3 <sup>1/4</sup>	4 <sup>3/4</sup>	2	37.3	80A50	1 <sup>1/4</sup>	30.9
51		16.810						80A51	1 <sup>1/4</sup>	32.2
52		17.130						80A52	1 <sup>1/4</sup>	33.0
53		17.450						80A53	1 <sup>1/4</sup>	34.9
54	S80B54	17.770	1 <sup>1/4</sup>	3 <sup>1/2</sup>	5 <sup>1/4</sup>	2	44.7	80A54	1 <sup>1/4</sup>	36.6
55		18.090						80A55	1 <sup>1/4</sup>	37.5
56		18.410						80A56	1 <sup>1/4</sup>	39.4
57		18.730						80A57	1 <sup>1/4</sup>	40.4
58		19.040						80A58	1 <sup>1/4</sup>	41.3
59		19.360						80A59	1 <sup>1/4</sup>	42.9
60	S80B60	19.680	1 <sup>1/4</sup>	3 <sup>1/2</sup>	5 <sup>1/4</sup>	2	54.5	80A60	1 <sup>1/4</sup>	45.3
65	S80B65	21.270	1 <sup>1/4</sup>	3 <sup>1/2</sup>	5 <sup>1/4</sup>	2	61.8	80A65	1 <sup>1/4</sup>	52.2
70	S80C70	22.870	1 <sup>1/2</sup>	4 <sup>1/4</sup>	6 <sup>1/4</sup>	3 <sup>1/2</sup>	75.7	80A70	1 <sup>1/2</sup>	59.8
72	S80C72	23.500	1 <sup>1/2</sup>	4 <sup>1/4</sup>	6 <sup>1/4</sup>	3 <sup>1/2</sup>	81.4	80A72	1 <sup>1/2</sup>	65.7
76	S80C76	24.780	1 <sup>1/2</sup>	4 <sup>1/4</sup>	6 <sup>1/4</sup>	3 <sup>1/2</sup>	87.8	80A76	1 <sup>1/2</sup>	70.2
80	S80C80	26.050	1 <sup>1/2</sup>	4 <sup>1/4</sup>	6 <sup>1/4</sup>	3 <sup>1/2</sup>	89.9	80A80	1 <sup>1/2</sup>	79.6
84	S80C84	27.330	1 <sup>1/2</sup>	4 <sup>1/4</sup>	6 <sup>1/4</sup>	3 <sup>1/2</sup>	99.2	80A84	1 <sup>1/2</sup>	86.1
90	S80C90	29.240	1 <sup>1/2</sup>	4 <sup>1/4</sup>	6 <sup>1/4</sup>	3 <sup>1/2</sup>	106	80A90	1 <sup>1/2</sup>	101
96	S80C96	31.150	1 <sup>1/2</sup>	4 <sup>1/4</sup>	6 <sup>1/4</sup>	3 <sup>1/2</sup>	117	80A96	1 <sup>1/2</sup>	120
112	S80C112	36.240	1 <sup>1/2</sup>	4 <sup>1/4</sup>	6 <sup>1/4</sup>	3 <sup>1/2</sup>	154	80A112	1 <sup>1/2</sup>	165

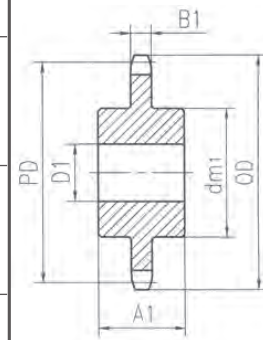


B

B1=0.575"



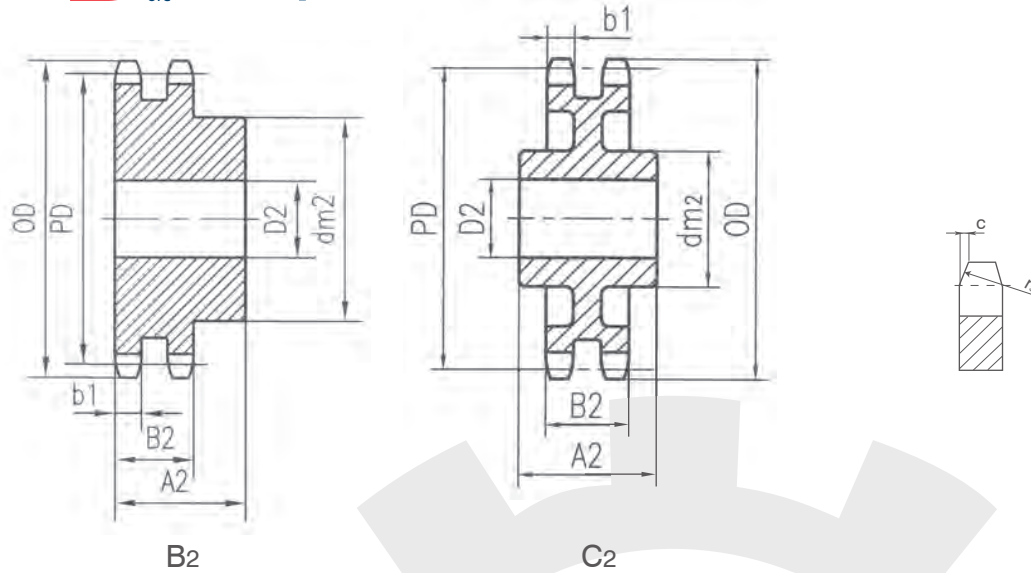
A



C



**S** standard  
**B** ore  
**Sprockets**



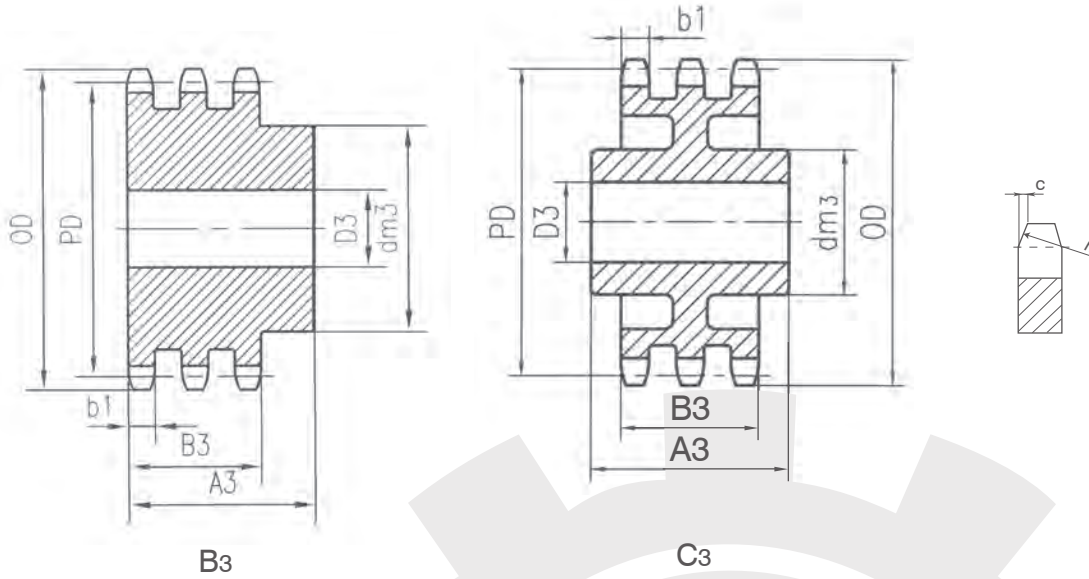
**80-2**  
1"X5/8"

Pinions		Inches
Tooth Radius	r <sub>3</sub>	1.063
Radius Width	C	0.126
Tooth Width	b <sub>1</sub>	0.557
Tooth Width	B <sub>2</sub>	1.710
ROLLER-Ø0.625"		

**80-2 FOR 1" PITCH ANSI CHAIN**

TEETH NO.	CATALOG NO.	OD	TYPE	BORE		HUB		WT LBS.
				STOCK	MAX	dm2	A2	
10	D80B10	3.680	B2	1	1 1/4	29/16*	23/4	3.6
11	D80B11	4.010	B2	1	1 3/4	2 1/2	2 1/2	4.0
12	D80B12	4.330	B2	1	1 7/8	2 27/32	2 1/2	5.1
13	D80B13	4.660	B2	1	2 1/4	3 5/32	2 1/2	6.3
14	D80B14	4.980	B2	1	2 3/8	3 15/32	2 1/2	7.6
15	D80B15	5.300	B2	1	2 1/2	3 51/64	2 1/2	9.0
16	D80B16	5.630	B2	1	2 3/4	4	2 3/4	11.0
17	D80B17	5.950	B2	1	3	4 27/64	2 3/4	13.2
18	D80B18	6.270	B2	1	3 1/4	4 47/64	2 3/4	15.0
19	D80B19	6.590	B2	1	3 5/16	5	2 3/4	17.0
20	D80B20	6.910	B2	1	3 5/16	5	2 3/4	18.2
21	D80B21	7.240	B2	1	3 5/16	5	2 3/4	19.6
22	D80B22	7.560	B2	1	3 5/16	5	2 3/4	21.0
23	D80B23	7.880	B2	1	3 5/16	5	2 3/4	22.8
24	D80B24	8.200	B2	1	3 1/2	5 1/4	2 3/4	25.1
25	D80B25	8.520	B2	1	3 1/2	5 1/4	3	28.3
26	D80B26	8.840	B2	1	3 1/2	5 1/4	3	29.9
30	D80B30	10.110	B2	1	3 3/4	5 3/4	3	39.5
32	D80B32	10.750	B2	1	3 3/4	5 3/4	3	43.8
35	D80B35	11.710	B2	1	3 3/4	5 3/4	3	49.1
36	D80B36	12.030	B2	1 1/4	3 3/4	5 3/4	3 1/8	54.2
42	D80B42	13.940	B2	1 1/4	3 3/4	5 3/4	3 1/8	71.5
45	D80B45	14.900	B2	1 1/4	3 3/4	5 3/4	3 1/8	73.5
52	D80C52	17.130	C2	1 1/2	3 3/4	5 3/4	3 3/4	78.4
60	D80C60	19.680	C2	1 1/2	3 3/4	5 3/4	3 3/4	93.3
68	D80C68	22.230	C2	1 1/2	3 13/16	6	4	96.2
76	D80C76	24.780	C2	1 1/2	3 13/16	6	4	113
95	D80C95	30.830	C2	1 1/2	4	6	4 1/4	165

**80-3**  
1"X5/8"



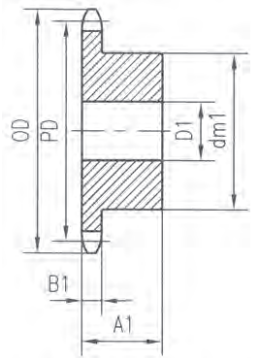
Pinions		Inches
Tooth Radius	r <sub>3</sub>	1.063
Radius Width	C	0.126
Tooth Width	b <sub>1</sub>	0.557
Tooth Width	B <sub>3</sub>	2.863
ROLLER- $\phi$ 0.625"		

**80-3 FOR 1" PITCH ANSI CHAIN**

NO. TEETH	CATALOG NO.	O.D.	TYPE	BORE		HUB		WT LBS.
				STOCK	MAX	HD	LTD	
11	T80B11	4.010	B <sub>3</sub>	1	13/4	2 1/2	35/8	5.9
12	T80B12	4.330	B <sub>3</sub>	1	17/8	2 27/32	35/8	7.5
13	T80B13	4.660	B <sub>3</sub>	1	2 1/4	35/32	35/8	9.2
14	T80B14	4.980	B <sub>3</sub>	1	2 3/8	3 15/32	35/8	11.0
15	T80B15	5.300	B <sub>3</sub>	1	2 1/2	3 51/64	35/8	13.1
16	T80B16	5.630	B <sub>3</sub>	1	2 3/4	4	37/8	15.8
17	T80B17	5.950	B <sub>3</sub>	1	3	4 27/64	37/8	18.6
18	T80B18	6.270	B <sub>3</sub>	1	3 1/4	4 47/64	37/8	21.2
19	T80B19	6.590	B <sub>3</sub>	1	3 5/16	5	37/8	23.7
20	T80B20	6.910	B <sub>3</sub>	1	3 5/16	5	37/8	26.0
21	T80B21	7.240	B <sub>3</sub>	1	3 5/16	5	37/8	28.4
22	T80B22	7.560	B <sub>3</sub>	1	3 5/16	5	37/8	31.0
23	T80B23	7.880	B <sub>3</sub>	1	3 5/16	5	37/8	33.6
24	T80B24	8.200	B <sub>3</sub>	1	3 1/2	5 1/4	37/8	37.1
25	T80B25	8.520	B <sub>3</sub>	1	3 1/2	5 1/4	37/8	40.1
26	T80B26	8.840	B <sub>3</sub>	1	3 1/2	5 1/4	37/8	42.9
30	T80B30	10.110	B <sub>3</sub>	1 1/4	3 3/4	5 3/4	4 1/4	54.5
35	T80B35	11.710	B <sub>3</sub>	1 1/4	3 3/4	5 3/4	4 1/4	79.5
36	T80B36	12.030	B <sub>3</sub>	1 1/4	3 3/4	5 3/4	4 1/4	83.9
42	T80C42	13.940	C <sub>3</sub>	1 1/4	3 13/16	6	4 1/2	84.9
45	T80C45	14.900	C <sub>3</sub>	1 1/4	3 13/16	6	4 1/2	92.4
52	T80C52	17.130	C <sub>3</sub>	1 1/2	3 13/16	6	4 1/2	107
60	T80C60	19.680	C <sub>3</sub>	1 1/2	4 1/4	6 1/4	4 3/4	128
68	T80C68	22.230	C <sub>3</sub>	1 1/2	4 1/4	6 1/4	4 3/4	140
76	T80C76	24.780	C <sub>3</sub>	1 1/2	4 1/4	6 1/4	4 3/4	165
95	T80C96	30.830	C <sub>3</sub>	1 1/2	4 1/2	6 3/4	5	240

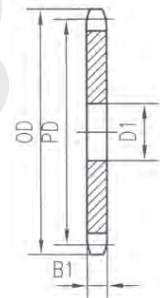
100-1 FOR 1 1/4" PITCH ANSI CHAIN

SINGLE-TYPE B&C								SINGLE-TYPE A		
TEETH NO.	CATALOG NO.	OD	BORE		dm1	A1	WT LBS	CATALOG NO.	STOCK BORE	WT. LBS
			STOCK	MAX						
7		3.350						100A7	1	1.2
8	S100B8	3.770	1	1 1/4	27/16*	17/8	2.3	100A8	1	1.4
9	S100B9	4.180	1	1 5/8	2 13/16*	17/8	3.2	100A9	1	1.6
10	S100B10	4.600	1	1 7/8	3 1/4*	17/8	4.1	100A10	1	2.0
11	S100B11	5.010	1	2 1/4	3 9/16*	17/8	5.3	100A11	1 1/4	2.5
12	S100B12	5.420	1	2 1/4	4*	17/8	6.4	100A12	1 1/4	3.0
13	S100B13	5.820	1	2 3/8	3 7/8	1 5/8	6.6	100A13	1 1/4	3.5
14	S100B14	6.230	1 1/4	2 3/4	4 3/16	1 5/8	7.4	100A14	1 1/4	4.1
15	S100B15	6.630	1 1/4	3	4 1/2	1 3/4	9.2	100A15	1 1/4	4.7
16	S100B16	7.030	1 5/16	3	4 1/2	1 3/4	9.9	100A16	1 1/4	5.4
17	S100B17	7.440	1 5/16	3	4 1/2	1 3/4	10.8	100A17	1 1/4	6.1
18	S100B18	7.840	1 5/16	3	4 1/2	1 3/4	11.5	100A18	1 1/4	7.0
19	S100B19	8.240	1 5/16	3	4 1/2	2	13.1	100A19	1 1/4	7.8
20	S100B20	8.640	1 5/16	3	4 1/2	2	14.2	100A20	1 1/4	8.8
21	S100B21	9.040	1 5/16	3	4 1/2	2	15.3	100A21	1 1/4	9.8
22	S100B22	9.440	1 5/16	3	4 1/2	2	16.1	100A22	1 1/4	10.5
23	S100B23	9.840	1 1/4	3	4 1/2	2	17.2	100A23	1 1/4	11.8
24	S100B24	10.250	1 1/4	3	4 1/2	2	19.2	100A24	1 1/4	12.8
25	S100B25	10.650	1 1/4	3	4 1/2	2	19.5	100A25	1 1/4	13.9
26	S100B26	11.050	1 1/4	3 5/16	5	2	21.7	100A26	1 1/4	15.0
27	S100B27	11.440	1 1/4	3 5/16	5	2	23.0	100A27	1 1/4	16.0
28	S100B28	11.840	1 1/4	3 5/16	5	2	24.4	100A28	1 1/4	17.4
29	S100B29	12.240	1 1/4	3 5/16	5	2	25.0	100A29	1 1/4	19.6
30	S100B30	12.640	1 1/4	3 5/16	5	2	26.9	100A30	1 1/4	20.1
31		13.040						100A31	1 1/4	21.5
32	S100B32	13.440	1 1/4	3 5/16	5	2	29.8	100S32	1 1/4	22.6
33		13.840						100A33	1 1/4	24.1
34		14.240						100A34	1 1/4	26.0
35	S100B35	14.640	1 1/4	3 5/16	5	2 1/2	36.9	100A35	1 1/4	27.2
36	S100B36	15.040	1 1/4	3 5/16	5	2 1/2	38.6	100A36	1 1/4	30.0
37		15.440						100A37	1 1/4	31.0
38	S100B38	15.840	1 1/4	3 5/16	5	2 1/2	41.5	100A38	1 1/4	33.0
39	S100B39	16.230	1 1/4	3 5/16	5	2 1/2	43.6	100A39	1 1/4	35.0
40	S100B40	16.630	1 1/4	3 5/16	5	2 1/2	46.9	100A40	1 1/4	36.0
41		17.030						100A41	1 1/4	39.0
42	S100B42	17.430	1 1/4	3 5/16	5	2 1/2	50.4	100A42	1 1/4	40.0
43		17.830						100A43	1 1/2	43.0
44		18.230						100A44	1 1/2	45.0
45	S100B45	18.630	1 1/2	3 5/16	5	2 1/2	54.0	100A45	1 1/2	47.0
46		19.020						100A46	1 1/2	48.0
47		19.420						100A47	1 1/2	52.0
48	S100B48	19.820	1 1/2	4	6	2 1/2	66.0	100A48	1 1/2	54.0
49		20.220						100A49	1 1/2	56.0
50		20.620						100A50	1 1/2	57.0
51		21.020						100A51	1 1/2	63.0
52		21.420						100A52	1 1/2	64.0
53	S100C54	21.810	1 1/2	4	6	3 1/4	78.0	100A53	1 1/2	66.2
54		22.210						100A54	1 1/2	68.0
55		22.610						100A55	1 1/2	70.0
56		23.010						100A56	1 1/2	72.0
57		23.410						100A57	1 1/2	75.8
58		23.810						100A58	1 1/2	76.0
59		24.200						100A59	1 1/2	77.0
60	S100C60	24.600	1 1/2	4	6	3 1/4	89.0	100A60	1 1/2	80.0
70	S100C70	28.580	1 1/2	5 1/4	7	3 3/4	125	100A70	1 1/2	113
72	S100C72	29.380	1 1/2	5 1/4	7	3 3/4	134	100A72	1 1/2	119
76	S100C76	30.973	1 1/2	5 1/4	7	3 3/4	143	100A76	1 1/2	133
80	S100C80	32.570	1 1/2	5 1/4	7	3 3/4	151	100A80	1 1/2	146
84	S100C84	34.160	1 1/2	5 1/4	7	3 3/4	170	100A84	1 1/2	162
90	S100C90	36.550	1 1/2	5 1/4	7	3 3/4	184	100A90	1 1/2	193
96	S100C96	38.930	1 1/2	5 1/4	7	4 1/2	203	100A96	1 1/2	215

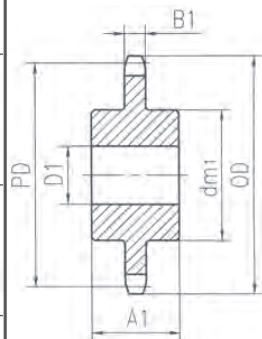


B

B1=0.692"



A



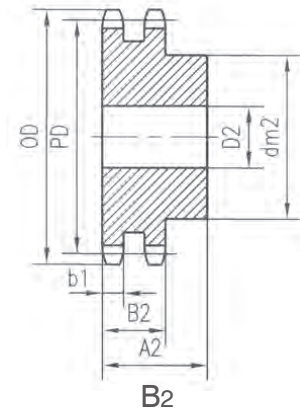
C

100

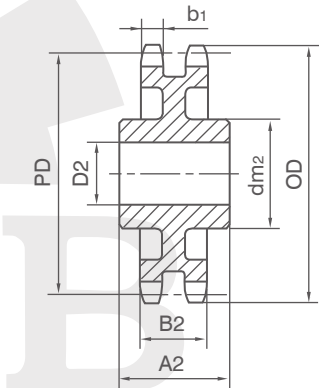
1 1/4" X 3/4"

100-2 FOR 3/4" PITCH ANSI CHAIN

TEETH NO.	CATALOG NO.	OD	TYPE	BORE		HUB		WT LBS.
				STOCK	MAX	dm2	A2	
9	D100B9	4.180	B2	1	15/8	23/8	27/8	4.6
10	D100B10	4.600	B2	1	17/8	23/4	27/8	6.2
11	D100B11	5.010	B2	1	21/8	31/8	27/8	7.9
12	D100B12	5.420	B2	1 1/8	21/4	33/8	27/8	9.3
13	D100B13	5.820	B2	1 1/8	2 1/2	3 13/16	27/8	11.4
14	D100B14	6.230	B2	1 1/8	2 3/4	4 3/16	27/8	13.6
15	D100B15	6.630	B2	1 1/4	3 1/8	4 5/8	3 1/8	17.1
16	D100B16	7.030	B2	1 1/4	3 5/16	5	3 1/8	20.1
17	D100B17	7.440	B2	1 1/4	3 1/2	5 1/4	3 1/8	23.1
18	D100B18	7.840	B2	1 1/4	3 1/2	5 1/4	3 1/8	25.4
19	D100B19	8.240	B2	1 1/4	3 3/4	5 1/2	3 3/8	29.6
20	D100B20	8.640	B2	1 1/4	3 3/4	5 1/2	3 3/8	32.4
21	D100B21	9.040	B2	1 1/4	3 3/4	5 1/2	3 3/8	35.3
22	D100B22	9.440	B2	1 1/4	3 3/4	5 1/2	3 3/8	38.4
23	D100B23	9.840	B2	1 1/4	3 3/4	5 1/2	3 3/8	41.3
24	D100B24	10.250	B2	1 1/4	3 3/4	5 3/4	3 3/8	45.1
25	D100B25	10.650	B2	1 1/4	3 3/4	5 3/4	3 3/8	48.5
26	D100B26	11.050	B2	1 1/2	3 3/4	5 3/4	3 3/8	51.5
30	D100B30	12.640	B2	1 1/2	3 3/4	5 3/4	3 3/8	65.0
35	D100C35	14.640	C2	1 1/2	3 13/16	6	4 1/4	75.0
45	D100C45	18.630	C2	1 1/2	3 13/16	6	4 1/2	103
60	D100C60	24.600	C2	1 1/2	5 3/8	7 1/2	5	175
70	D100C70	28.580	C2	1 1/2	5 3/8	7 1/2	5	197
80	D100C80	32.570	C2	1 1/2	5 3/8	7 1/2	5	231



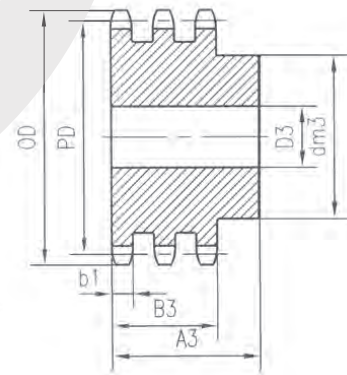
B2



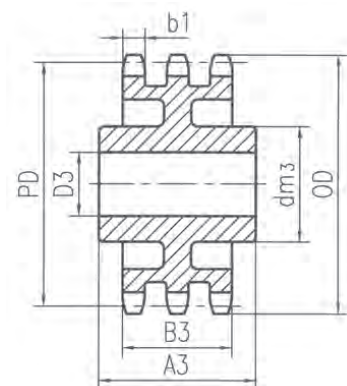
C2

100-3 FOR 1 1/4" PITCH ANSI CHAIN

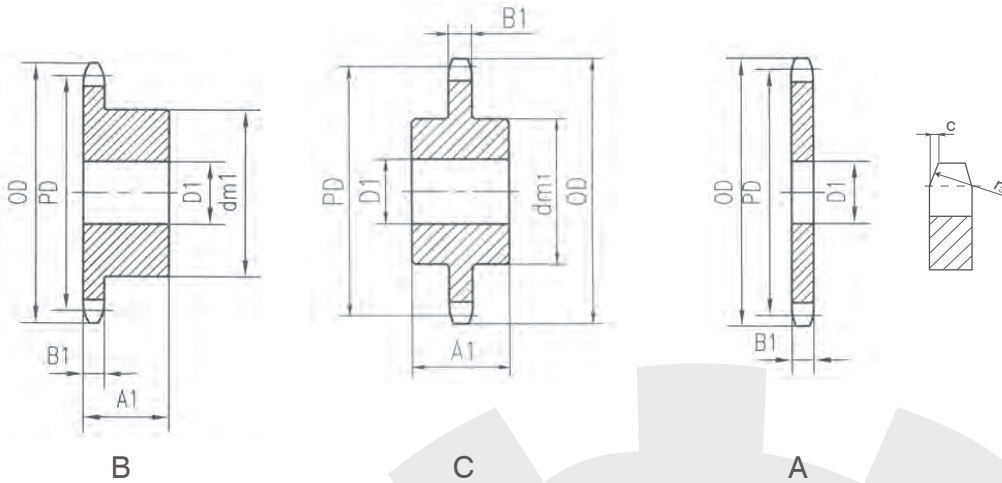
TEETH NO.	CATALOG NO.	OD	TYPE	BORE		HUB		WT LBS.
				STOCK	MAX	dm2	A2	
11	T100B11	5.010	B3	1	2 1/8	3 1/8	4 1/4	11.7
12	T100B12	5.420	B3	1 1/8	2 1/4	3 3/8	4 1/4	13.7
13	T100B13	5.820	B3	1 1/8	2 1/2	3 13/16	4 1/4	16.9
14	T100B14	6.230	B3	1 1/8	2 3/4	4 3/16	4 1/4	20.2
15	T100B15	6.630	B3	1 1/4	3 1/8	4 5/8	4 1/2	25.0
16	T100B16	7.030	B3	1 1/4	3 5/16	5	4 1/2	29.3
17	T100B17	7.440	B3	1 1/4	3 1/2	5 1/4	4 1/2	33.8
18	T100B18	7.840	B3	1 1/4	3 1/2	5 1/4	4 3/4	38.6
19	T100B19	8.240	B3	1 1/4	3 3/4	5 1/2	4 3/4	43.3
20	T100B20	8.640	B3	1 1/4	3 3/4	5 1/2	4 3/4	47.9
21	T100B21	9.040	B3	1 1/4	3 3/4	5 1/2	4 3/4	52.3
22	T100B22	9.440	B3	1 1/4	3 3/4	5 1/2	4 3/4	57.5
23	T100B23	9.840	B3	1 1/4	3 3/4	5 1/2	4 3/4	62.5
24	T100B24	10.250	B3	1 1/4	3 3/4	5 3/4	4 3/4	69
25	T100B25	10.650	B3	1 1/4	3 3/4	5 3/4	4 3/4	73
26	T100B26	11.050	B3	1 1/2	3 13/16	5 3/4	4 3/4	79
30	T100B30	12.640	B3	1 1/2	3 13/16	5 3/4	4 3/4	103
35	T100C35	14.640	C3	1 1/2	4	6	5	108
45	T100C45	18.630	C3	1 1/2	4	6	5	143
60	T100C60	24.600	C3	1 1/2	5 3/8	7 1/2	5	217
70	T100C70	28.580	C3	1 1/2	5 3/8	7 1/2	5	262
80	T100C80	32.570	C3	1 1/2	5 3/8	7 1/2	5	313



B3



C3



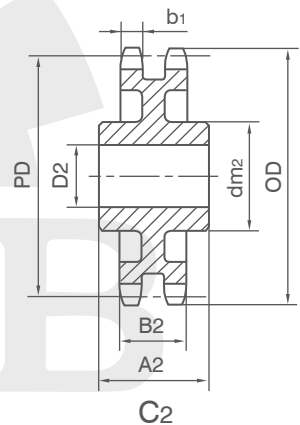
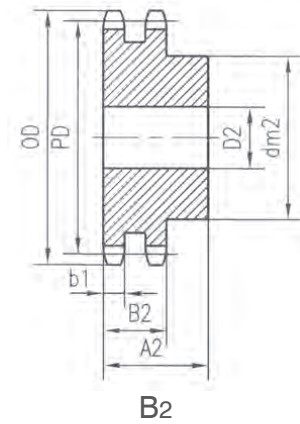
Pinions		Inches
Tooth Radius	r <sub>3</sub>	1.594
Radius Width	C	0.189
Tooth Width	B <sub>1</sub>	0.924
ROLLER-Ø0.875"		

120-1 FOR 1 1/2" PITCH ANSI CHAIN

SINGLE-TYPE B&C								SINGLE-TYPE A		
TEETH NO.	CATALOG NO.	OD	BORE		dm!	A <sub>1</sub>	WT LBS.	CATALOG NO.	STOCK BORE	WT. LBS.
			STOCK	MAX						
8		4.520						120A8	1 1/4	2.4
9	S120B9	5.020	13/8	1 13/16	33/8	2 1/4	5.3	120A9	1 1/4	3.0
10	S120B10	5.520	13/8	2 1/4	33/4	2 1/4	7.1	120A10	1 1/4	3.8
11	S120B11	6.010	13/8	2 3/8	39/16	2 1/8	7.6	120A11	1 1/4	4.8
12	S120B12	6.500	13/8	2 3/4	4 1/8	2 1/8	9.9	120A12	1 1/4	5.8
13	S120B13	6.990	13/8	3	49/16	2 1/4	12.4	120A13	1 1/4	6.7
14	S120B14	7.470	13/8	3 1/4	43/4	2 1/4	14.4	120A14	1 1/4	8.0
15	S120B15	7.960	1 1/4	3 1/4	43/4	2 3/8	16.7	120A15	1 1/4	9.1
16	S120B16	8.440	1 1/4	3 1/2	5 1/4	2 3/8	19.9	120A16	1 1/4	10.6
17	S120B17	8.920	1 1/4	3 1/2	5 1/4	2 3/8	20.8	120A17	1 1/4	12.6
18	S120B18	9.410	1 1/4	3 1/2	5 1/4	2 3/8	22.2	120A18	1 1/4	13.6
19	S120B19	9.890	1 1/4	3 1/2	5 1/4	2 3/8	24.8	120A19	1 1/4	15.1
20	S120B20	10.370	1 1/4	3 1/2	5 1/4	2 3/8	25.8	120A20	1 1/4	16.9
21	S120B21	10.850	1 1/4	3 1/2	5 1/4	2 3/8	26.7	120A21	1 1/4	18.7
22	S120B22	11.330	1 1/4	3 1/2	5 1/4	2 3/8	28.2	120A22	1 1/4	20.0
23	S120B23	11.810	1 1/4	3 1/2	5 1/4	2 3/8	30.3	120A23	1 1/4	22.1
24	S120B24	12.290	1 1/4	3 1/2	5 1/4	2 3/8	32.1	120A24	1 1/4	24.8
25	S120B25	12.770	1 1/4	3 1/2	5 1/4	2 3/8	34.6	120A25	1 1/4	26.8
26	S120B26	13.250	1 1/2	4	6	2 1/2	40.0	120A26	1 1/2	28.3
27		13.730						120A27	1 1/2	30.9
28	S120B28	14.210	1 1/2	4	6	2 1/2	44.9	120A28	1 1/2	33.6
30	S120B30	15.170	1 1/2	4	6	2 1/2	50.2	120A30	1 1/2	39.0
32	S120B32	16.130	1 1/2	4	6	2 1/2	56.0	120A32	1 1/2	43.9
33		16.610						120A33	1 1/2	48.2
34		17.090						120A34	1 1/2	50
35	S120B35	17.570	1 1/2	4	6	2 1/2	62.4	120A35	1 1/2	52
36	S120B36	18.050	1 1/2	4	6	2 1/2	66.4	120A36	1 1/2	56
40	S120C40	19.960	1 1/2	4	6	3 3/4	92.0	120A40	1 1/2	71
42	S120C42	20.920	1 1/2	4	6	3 3/4	98.0	120A42	1 1/2	75
45	S120C45	22.350	1 1/2	4	6	3 3/4	99.2	120A45	1 1/2	88
48	S120C48	23.790	1 1/2	4	6	4	113	120A48	1 1/2	103
54	S120C54	26.650	1 1/2	4	6	4	133	120A54	1 1/2	140
60	S120C60	29.520	1 1/2	5 1/4	7	4	160	120A60	1 1/2	160
70	S120C70	34.300	1 1/2	5 3/8	7 1/2	4 1/2	206	120A70	1 1/2	216
80	S120C80	39.080	1 1/2	5 3/8	7 1/2	4 1/2	254	120A80	1 1/2	284
90		43.850						120A90	1 1/2	358

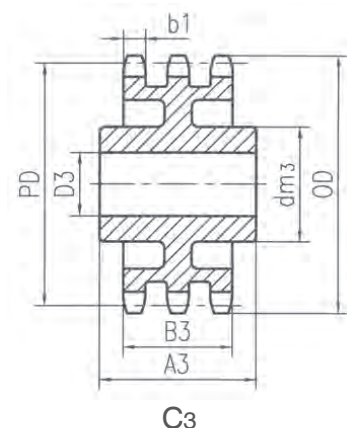
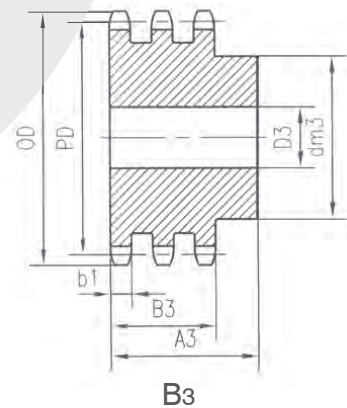
120-2 FOR 1 1/2" PITCH ANSI CHAIN

TEETH NO.	CATALOG NO.	OD	TYPE	BORE		HUB		WT LBS.
				STOCK	MAX	dm2	A2	
11	D120B11	6.010	B2	1 1/2	23/8	39/16	33/4	13.6
12	D120B12	6.500	B2	1 1/2	23/4	41/16	33/4	17.3
13	D120B13	6.990	B2	1 1/2	3	4 1/2	33/4	21.1
14	D120B14	7.470	B2	1 1/2	35/16	5	33/4	25.6
15	D120B15	7.960	B2	1 1/2	31/2	5 1/4	33/4	29.9
16	D120B16	8.440	B2	1 1/2	3 1/2	5 1/4	33/4	33.8
17	D120B17	8.920	B2	1 1/2	3 1/2	5 1/4	33/4	36.9
18	D120B18	9.410	B2	1 1/2	3 1/2	5 1/4	33/4	41.9
19	D120B19	9.890	B2	1 1/2	3 1/2	5 1/4	33/4	46.5
20	D120B20	10.370	B2	1 1/2	3 1/2	5 1/2	33/4	50.2
21	D120B21	10.850	B2	1 1/2	3 1/2	5 1/2	33/4	55.6
22	D120B22	11.330	B2	1 1/2	3 13/16	5 3/4	4	64.0
23	D120B23	11.810	B2	1 1/2	4 1/2	6 1/2	4	75.0
24	D120B24	12.290	B2	1 1/2	4 1/2	6 1/2	4	79.0
25	D120B25	12.770	B2	1 1/2	4 1/2	6 1/2	4	84.0
26	D120B26	13.250	B2	1 1/2	4 1/2	6 1/2	4	90.0
30	D120B30	15.170	B2	1 1/2	4 1/2	6 1/2	4	119
35	D120C35	17.570	C2	1 1/2	5 3/8	7 1/2	6	148
45	D120C45	22.350	C2	1 1/2	5 3/8	7 1/2	6	188
60	D120C60	29.520	C2	1 1/2	6 3/8	9 1/2	6 1/4	307



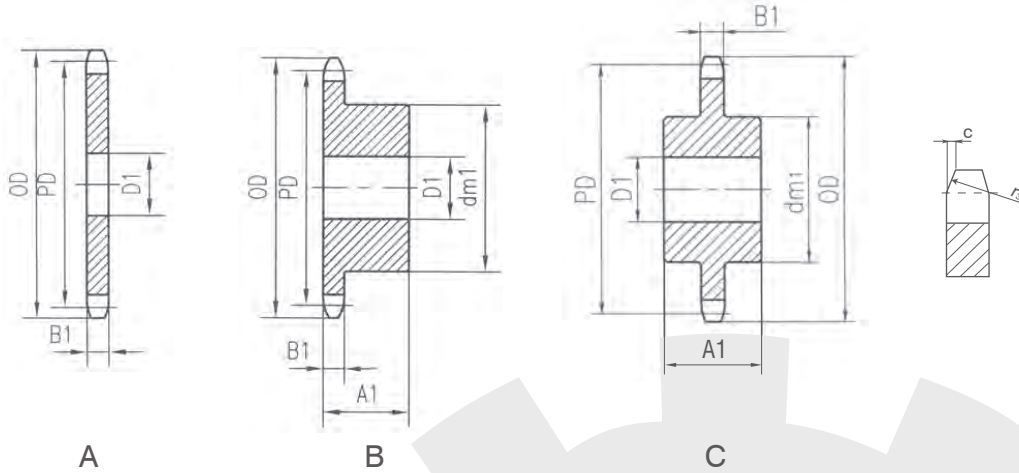
120-3 FOR 1 1/2" PITCH ANSI CHAIN

TEETH NO.	CATALOG NO.	O.D	TYPE	BORE		HUB		WT LBS.
				STOCK	MAX	dm3	A3	
11	T120B11	6.010	B3	1 1/2	2 1/16	39/16	5 1/2	22.1
12	T120B12	6.500	B3	1 1/2	2 7/16	41/16	5 1/2	27.6
13	T120B13	6.990	B3	1 1/2	2 13/16	49/16	5 1/2	33.7
14	T120B14	7.470	B3	1 1/2	3	5	5 3/4	41.1
15	T120B15	7.960	B3	1 1/2	3 3/8	5 1/2	5 3/4	48.4
16	T120B16	8.440	B3	1 1/2	3 3/8	5 1/2	5 3/4	55.3
17	T120B17	8.920	B3	1 1/2	3 3/8	5 1/2	5 3/4	62.4
18	T120B18	9.410	B3	2 3/16	4 3/8	6 1/2	5 3/4	69.8
19	T120B19	9.890	B3	2 3/16	4 3/8	6 1/2	5 3/4	75.0
20	T120B20	10.370	B3	2 3/16	4 3/8	6 1/2	5 3/4	87.0
21	T120B21	10.850	B3	2 3/16	4 3/8	6 1/2	5 3/4	96.0
22	T120B22	11.330	B3	2 3/16	4 3/8	6 1/2	5 3/4	105.0
23	T120B23	11.810	B3	2 3/16	4 3/8	6 1/2	5 3/4	116.0
24	T120B24	12.290	B3	2 3/16	4 3/8	6 1/2	5 3/4	127.0
25	T120B25	12.770	B3	2 3/16	4 3/8	6 1/2	5 3/4	138.0
26	T120B26	13.250	B3	2 3/16	4 3/8	6 1/2	5 3/4	149.0
27	T120B27	13.730	B3	2 3/16	4 3/8	6 1/2	5 3/4	161.0
28	T120B28	14.210	B3	2 3/16	4 3/8	6 1/2	5 3/4	174.0
30	T120B30	15.170	B3	2 3/16	4 3/8	6 1/2	5 3/4	201.0
32	T120B32	16.130	B3	2 3/16	4 3/8	6 1/2	5 3/4	229.0
35	T120B35	17.570	B3	2 15/16	5	7 1/2	6	276.0
36	T120B36	18.050	B3	2 15/16	5	7 1/2	6	293.0
40	T120B40	19.960	B3	2 15/16	5	7 1/2	6	363.0
42	T120B42	20.920	B3	2 15/16	2	7 1/2	6	401.0
45	T120B45	22.350	B3	2 15/16	5	7 1/2	6	462.0
48	T120C48	23.790	C3	2 15/16	5	7 1/2	6	210.0
54	T120C54	26.650	C3	2 15/16	5	7 1/2	6	224.0



Standard **S**prockets **B**ore

**140-1**  
1 3/4"X1"



Pinions		Inches
Tooth Radius	r <sub>3</sub>	1.862
Radius Width	C	0.220
Tooth Width	B <sub>1</sub>	0.924
ROLLER-Ø1.000"		

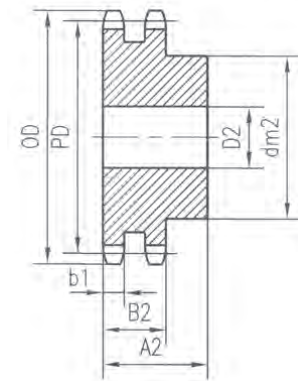
**140-1 FOR 1 3/4" PITCH ANSI CHAIN**

SINGLE-TYPE B&C							SINGLE-TYPE A			
TEETH NO.	CATALOG NO.	OD	BORE		dm <sub>1</sub>	A <sub>1</sub>	WT LBS.	CATALOG NO.	STOCK BORE	WT. LBS.
			STOCK	MAX						
11	S140B11	7.010	1 1/2	2 3/4	4 1/4	2 1/4	11.3	140A11	1 1/2	5.0
12	S140B12	7.580	1 1/2	3	4 1/2	2 1/4	13.2	140A12	1 1/2	7.8
13	S140B13	8.150	1 1/2	3 3/4	5 1/2	2 3/8	18.9	140A13	1 1/2	8.2
14	S140B14	8.720	1 1/2	3 3/4	5 1/2	2 3/8	20.4	140A14	1 1/2	10.0
15	S140B15	9.280	1 1/2	4 1/4	6 1/4	2 3/8	25.1	140A15	1 1/2	11.0
16	S140B16	9.850	1 1/2	4 1/4	6 1/4	2 1/2	27.9	140A16	1 1/2	14.0
17	S140B17	10.410	1 1/2	4 1/4	6 1/4	2 1/2	29.8	140A17	1 1/2	16.0
18	S140B18	10.980	1 1/2	4 1/4	6 1/4	2 1/2	32.0	140A18	1 1/2	18.0
19	S140B19	11.540	1 1/2	4 1/4	6 1/4	2 1/2	34.1	140A19	1 1/2	21.0
20	S140B20	12.100	1 1/2	4 1/4	6 1/4	2 1/2	36.0	140A20	1 1/2	23.0
21	S140B21	12.660	1 1/2	4 1/4	6 1/4	2 1/2	38.7	140A21	1 1/2	25.0
22	S140B22	13.220	1 1/2	4 1/4	6 1/4	2 1/2	40.6	140A22	1 1/2	28.0
23	S140B23	13.780	1 1/2	4 1/4	6 1/4	2 1/2	42.1	140A23	1 1/2	30.0
24	S140B24	14.340	1 1/2	4 1/4	6 1/4	2 1/2	46.2	140A24	1 1/2	33.0
25	S140B25	14.900	1 1/2	4 1/4	6 1/4	2 1/2	47.8	140A25	1 1/2	34.0
26	S140B26	15.460	1 1/2	4 1/4	6 1/4	3	57.2	140A26	1 1/2	39.0
27	S140B27	16.020	1 1/2	4 1/4	6 1/4	3	58.5	140A27	1 1/2	41.0
28	S140B28	16.580	1 1/2	4 1/4	6 1/4	3	62.2	140A28	1 1/2	45.0
30	S140B30	17.700	1 1/2	4 1/4	6 1/4	3	69.8	140A30	1 1/2	52.0
32	S140B32	18.820	1 1/2	4 1/4	6 1/4	3	76.3	140A32	1 1/2	60.0
35	S140C35	20.490	1 1/2	5 1/4	7	4	108	140A35	1 1/2	73.0
36		21.050						140A36	1 1/2	77.0
40	S140C40	23.290	1 1/2	5 1/4	7	4	121	140A40	1 1/2	93.0
45	S140C45	26.080	1 1/2	5 1/4	7	4	142	140A45	1 1/2	131
48	S140C48	27.750	1 1/2	5 1/4	7	4	150	140A48	1 1/2	134
54	S140C54	31.100	1 1/2	5 1/4	7	4	177	140A54	1 1/2	173
60	S140C60	34.440	1 1/2	5 1/4	7	5	220	140A60	1 1/2	219
70	S140C70	40.020	1 1/2	5 3/8	7 1/2	5	282	140A70	1 1/2	292
80	S140C80	45.590	1 1/2	5 3/8	7 1/2	5	331	140A80	1 1/2	402

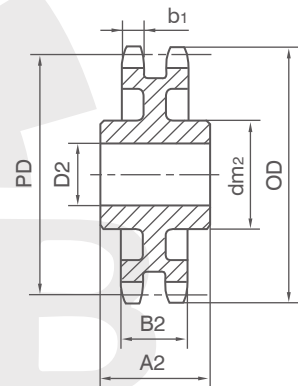
140  
1 3/4"X1"

140-2 FOR 1 3/4" PITCH ANSI CHAIN

TEETH NO.	CATALOG NO.	OD	TYPE	BORE		HUB		WT LBS.
				STOCK	MAX	dm2	A2	
13	D140B13	8.150	B2	1 5/8	3 5/16	5	3 3/4	29
14	D140B14	8.720	B2	1 5/8	3 3/4	5 1/2	3 3/4	34.8
15	D140B15	9.280	B2	1 5/8	4 1/2	6 1/2	3 3/4	42.5
16	D140B16	9.850	B2	1 5/8	5 1/4	7	4	48.1
17	D140B17	10.410	B2	1 5/8	5 1/4	7	4	57.5
18	D140B18	10.980	B2	1 3/4	5 1/4	7	4	65.6
19	D140B19	11.540	B2	1 3/4	5 1/4	7	4	72.0
20	D140B20	12.100	B2	1 3/4	5 1/4	7	4	76.0
21	D140B21	12.660	B2	1 3/4	5 1/4	7	4	82.0
22	D140B22	13.220	B2	1 3/4	5 1/4	7	4	94.0
23	D140B23	13.780	B2	1 3/4	5 1/4	7	4	100
24	D140B24	14.340	B2	1 3/4	5 1/4	7	4	104
25	D140B25	14.900	B2	1 3/4	5 1/4	7	4	120
26	D140B26	15.460	B2	1 3/4	5 1/4	7	4	128
35	D140C35	20.490	C2	1 1/2	5 3/8	7 1/2	6	180
45	D140C45	26.080	C2	1 1/2	5 3/8	7 1/2	6	232
60	D140C60	34.440	C2	1 1/2	6 3/8	9 1/2	6 1/2	372



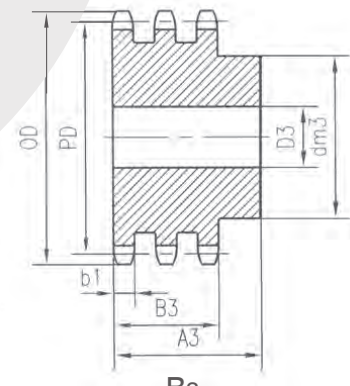
B2



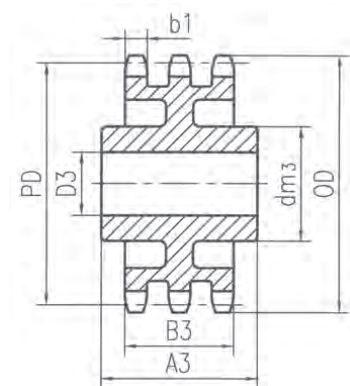
C2

140-3 FOR 1 3/4" PITCH ANSI CHAIN

TEETH NO.	CATALOG NO.	OD	TYPE	BORE		HUB		WT LBS.
				STOCK	MAX	dm2	A2	
11	T140B11	7.070	B3	1 5/8	2 1/2	4 3/16	5 3/4	31.6
12	T140B12	7.580	B3	1 5/8	2 3/4	4 3/4	5 3/4	39.3
13	T140B13	8.150	B3	1 5/8	3	5	5 7/8	47.7
14	T140B14	8.720	B3	1 5/8	3 3/8	5 1/2	5 7/8	56.9
15	T140B15	9.280	B3	1 5/8	4 3/4	6 1/2	5 7/8	70.1
16	T140B16	9.850	B3	1 11/16	4 3/4	7	6	80.4
17	T140B17	10.410	B3	1 11/16	4 3/4	7 1/4	6	91.3
18	T140B18	10.980	B3	2 3/16	4 3/4	7 1/4	6	99.3
19	T140B19	11.540	B3	2 3/16	4 3/4	7 1/4	6	111.0
20	T140B20	12.100	B3	2 3/16	4 3/4	7 1/4	6	122.0
21	T140B21	12.660	B3	2 3/16	4 3/4	7 1/4	6	135.0
22	T140B22	13.220	B3	2 3/16	4 3/4	7 1/4	6	148.0
23	T140B23	13.780	B3	2 3/16	4 3/4	7 1/4	6	162.0
24	T140B24	14.340	B3	2 3/16	4 3/4	7 1/4	6	176.0
25	T140B25	14.900	B3	2 3/16	4 3/4	7 1/4	6	190.0
26	T140B26	15.460	B3	2 3/16	4 3/4	7 1/4	6	207.0
28	T140B28	16.580	B3	2 3/16	4 3/4	7 1/4	6	241.0
30	T140B30	17.700	B3	2 3/16	4 3/4	7 1/4	6	277.0
32	T140B32	18.820	B3	2 15/16	5	7 1/2	6 1/4	315.0
35	T140B35	20.490	B3	2 15/16	5	7 1/2	6 1/4	377.0
36	T140B36	21.050	B3	2 15/16	5 1/2	8	6 1/4	399.0
40	T140B40	23.290	B3	2 15/16	5 1/2	8	6 1/4	498.0
45	T140C45	26.080	C3	2 15/16	5 1/2	8	6 1/4	282.0
48	T140C48	27.750	C3	2 15/16	5 1/2	8	6 1/4	305.0
50	T140C50	28.870	C3	2 15/16	5 3/4	8 1/2	6 1/2	323.0
54	T140C54	31.100	C3	2 15/16	5 3/4	8 1/2	6 1/2	369.0
60	T140C60	34.440	C3	2 15/16	5 3/4	8 1/2	6 1/2	410.0
63	T140C63	36.110	C3	2 15/16	6 7/16	9 3/8	7	439.0
70	T140C70	40.020	C3	2 15/16	6 7/16	9 3/8	7	540.0



B3



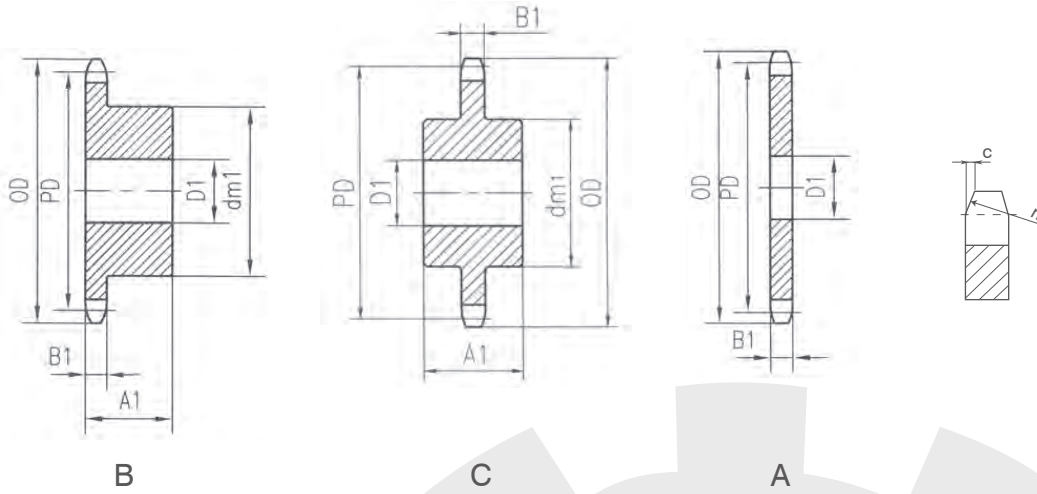
C3





# Sprockets

**160-1**  
2"X1 1/4"



Pinions		Inches
Tooth Radius	r <sub>s</sub>	2.124
Radius Width	C	0.250
Tooth Width	B <sub>1</sub>	1.156
ROLLER- $\phi$ 1.125"		

## 160-1 FOR 2" PICTH ANSI CHAIN

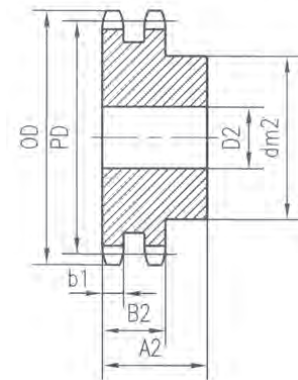
SINGLE-TYPE B&C								SINGLE-TYPE A		
TEETH NO.	CATALOG NO.	OD	BORE		HD	LTB	WT LBS	CATALOG NO.	STOCK BORE	WT. LES
			STOCK	MAX						
8	S160B8	6.030	1 1/2	1 7/8	3 1/4	2 1/4	8.0	160A8	1 1/2	5.0
9	S160B9	6.700	1 1/2	2 1/8	3 5/8	2 1/4	10.0	160A9	1 1/2	7.0
10	S160B10	7.360	1 1/2	2 3/4	4 1/8	2 1/4	12.0	160A10	1 1/2	8.0
11	S160B11	8.010	1 1/2	3 1/4	4 3/4	2 1/2	17.0	160A11	1 1/2	10.0
12	S160B12	8.660	1 1/2	3 3/4	5 1/2	2 1/2	21.0	160A12	1 1/2	12.0
13	S160B13	9.310	1 1/2	4	6	2 3/4	28.0	160A13	1 1/2	16.0
14	S160B14	9.960	1 1/2	4 1/2	6 1/2	2 3/4	32.0	160A14	1 1/2	17.0
15	S160B15	10.610	1 1/2	5 1/4	7	2 3/4	37.0	160A15	1 1/2	21.0
16	S160B16	11.260	1 1/2	5 1/4	7	2 3/4	41.0	160A16	1 1/2	24.0
17	S160B17	11.900	1 1/2	5 1/4	7	2 3/4	45.0	160A17	1 1/2	27.0
18	S160B18	12.540	1 1/2	5 1/4	7	2 3/4	48.0	160A18	1 1/2	30.0
19	S160B19	13.190	1 1/2	5 1/4	7	2 3/4	52.0	160A19	1 1/2	34.0
20	S160B20	13.830	1 1/2	5 1/4	7	2 3/4	56.0	160A20	1 1/2	38.0
21	S160B21	14.470	1 1/2	5 1/4	7	2 3/4	59.0	160A21	1 1/2	42.0
22	S160B22	15.110	1 1/2	5 1/4	7	2 3/4	65.0	160A22	1 1/2	46.0
23	S160B23	15.750	1 1/2	5 1/4	7	2 3/4	68.0	160A23	1 1/2	50.0
24	S160B24	16.390	1 1/2	5 1/4	7	3	77.0	160A24	1 1/2	56.0
25	S160B25	17.030	1 1/2	5 1/4	7	3	81.0	160A25	1 1/2	61.0
26	S160B26	17.670	1 1/2	5 1/4	7	3	86.0	160A26	1 1/2	65.0
27	S160B27	18.310	1 1/2	5 1/4	7	3	91.0	160A27	1 1/2	71.0
28	S160B28	18.950	1 1/2	5 1/4	7	3	98.0	160A28	1 1/2	77.0
30	S160B30	20.230	1 1/2	5 1/4	7	3	108	160A30	1 1/2	90.0
35	S160C35	23.420	1 1/2	5 1/2	8	4 1/2	154	160A35	1 1/2	121
40	S160C40	26.610	1 1/2	5 1/2	8	4 1/2	196	160A40	1 1/2	138
45	S160C45	29.800	1 1/2	5 1/2	8	5	234	160A45	1 1/2	204
54	S160C54	35.540	1 1/2	5 1/2	8	5	276	160A54	1 1/2	294
60	S160C60	39.360	1 1/2	5 1/2	8	5	329	160A60	1 1/2	366
70	S160C70	45.730	1 1/2	5 1/2	8	5	446	160A70	1 1/2	507
80	S160C80	52.100	1 1/2	5 1/2	8	6	612	160A80	1 1/2	656

160

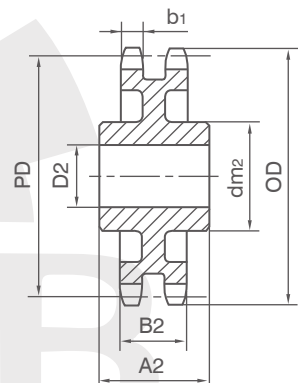
2"X1 1/4"

160-2 FOR 2" PITCH ANSI CHAIN

TEETH NO.	CATALOG NO.	OD	TYPE	BORE		HUB		WT LBS.
				STOCK	MAX	dm2	A2	
13	D160B13	9.310	B2	2	4	6	43/4	48
14	D160B14	9.960	B2	2	43/4	63/4	43/4	58
15	D160B15	10.610	B2	2	51/4	7	43/4	68
16	D160B16	11.260	B2	2	51/4	7	43/4	75
17	D160B17	11.900	B2	2	51/4	7	43/4	91
18	D160B18	12.540	B2	2	51/4	7	43/4	96
19	D160B19	13.190	B2	2	51/4	7	43/4	107
20	D160B20	13.830	B2	2	51/4	7	43/4	119
21	D160B21	14.470	B2	2	53/8	7 1/2	43/4	130
22	D160B22	15.110	B2	2	53/8	7 1/2	43/4	141
23	D160B23	15.750	B2	2	53/8	7 1/2	43/4	157
24	D160B24	16.390	B2	2	53/8	7 1/2	43/4	171
25	D160B25	17.030	B2	2	53/8	7 1/2	43/4	187
26	D160B26	17.670	B2	2	53/8	7 1/2	43/4	201
35	D160C35	23.420	C2	1 1/2	63/4	9 1/2	65/8	306
45	D160C45	29.800	C2	1 1/2	7	10	7 1/8	431
60	D160C60	39.360	C2	1 1/2	7	10	7 1/8	564



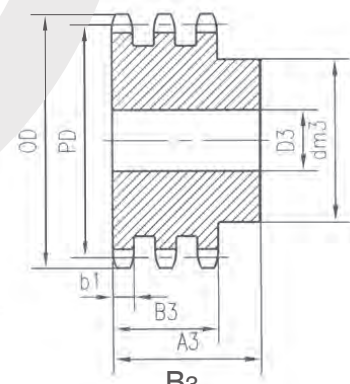
B2



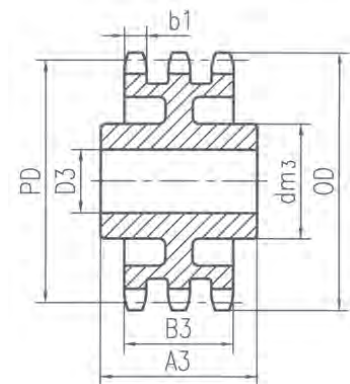
C2

160-3 FOR 2" PITCH ANSI CHAIN

TEETH NO.	CATALOG NO.	OD	TYPE	BORE		HUB		WT LBS.
				STOCK	MAX	dm3	A3	
11	T160B11	8.010	B3	2	3	5	6	50.0
12	T160B12	8.660	B3	2	3 1/2	5 5/8	6 7/8	62.6
13	T160B13	9.310	B3	2	3 15/16	6	6 7/8	76.0
14	T160B14	9.960	B3	2	4 1/2	6 3/4	6 7/8	92.4
15	T160B15	10.610	B3	2	4 7/8	7 3/8	6 7/8	109.0
16	T160B16	11.260	B3	2 3/16	4 3/8	6 1/2	7 1/16	117.0
17	T160B17	11.900	B3	2 3/16	4 1/2	6 1/2	7 1/16	133.0
18	T160B18	12.540	B3	2 3/16	4 1/2	7	7 1/16	153.0
19	T160B19	13.190	B3	2 3/16	4 1/2	7	7 1/16	169.0
20	T160B20	13.830	B3	2 3/16	4 1/2	7	7 1/16	182.0
21	T160B21	14.470	B3	2 3/16	4 1/2	7	7 1/16	208.0
22	T160B22	15.110	B3	2 3/16	4 1/2	7	7 1/16	229.0
23	T160B23	15.750	B3	2 3/16	4 1/2	7	7 1/16	251.0
24	T160B24	16.390	B3	2 3/16	5 1/2	8	7 1/16	279.0
25	T160B25	17.030	B3	2 3/16	5 1/2	8	7 1/16	303.0
26	T160B26	17.670	B3	2 3/16	5 1/2	8	7 1/16	328.0
28	T160B28	18.950	B3	2 3/16	5 1/2	8	7 1/16	381.0
30	T160B30	20.230	B3	2 15/16	5 1/2	8	7 1/4	433.0
32	T160B32	21.510	B3	2 15/16	5 1/2	8	7 1/4	495.0
33	T160B33	22.150	B3	2 15/16	5 1/2	8	7 1/4	527.0
34	T160B34	22.780	B3	2 15/16	5 1/2	8	7 1/4	559.0
35	T160B35	23.420	B3	2 15/16	5 1/2	8	7 1/4	594.0
36	T160B36	24.06	B3	2 15/16	5 1/2	8	7 1/4	629.0
40	T160C40	26.610	C3	2 15/16	6 1/4	9	7 1/2	375.0
45	T160C45	29.800	C3	2 15/16	6 1/4	9	7 1/2	399.0
48	T160C48	31.710	C3	2 15/16	6 1/4	9	7 1/2	416.0
54	T160C54	35.540	C3	2 15/16	6 11/16	9 3/4	8	548.0



B3



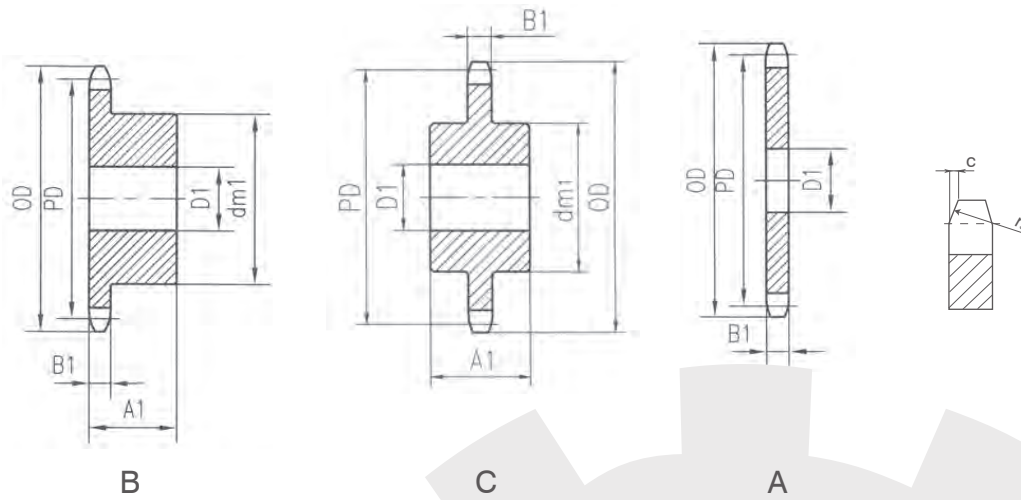
C3



# Sprockets

**180-1**

2 1/2" X 1 13/32"



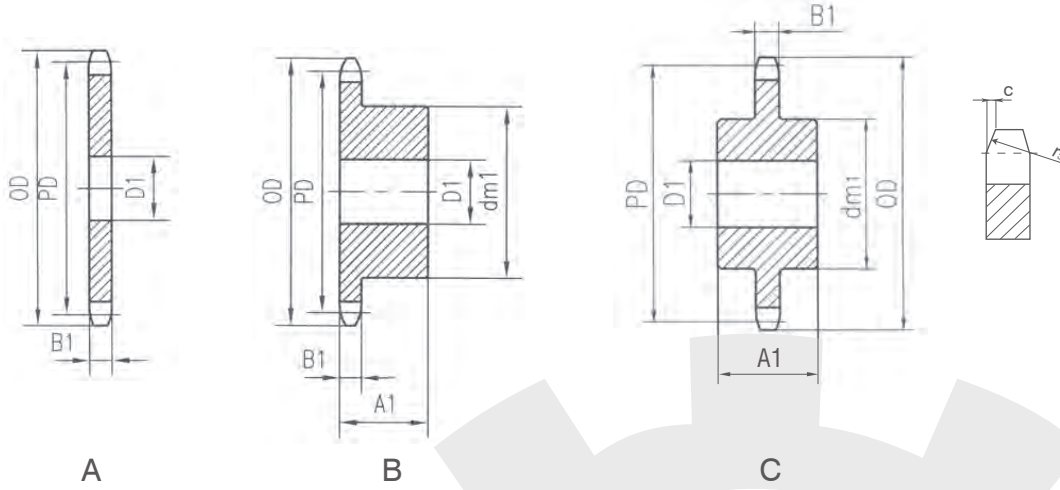
Pinions		Inches
Tooth Radius	r <sub>3</sub>	2.392
Radius Width	C	0.281
Tooth Width	B <sub>1</sub>	1.301
ROLLER - Ø1.406"		

## 180-1 FOR 2 1/4" PICTH ANSI CHAIN

SINGLE-TYPE B&C							SINGLE-TYPE A			
TEETH NO.	CATALOG NO.	OD	BORE		dm1	A1	WT LBS.	CATALOG NO.	STOCK BORE	WT. LBS.
			STOCK	MAX						
11	S180B11	9.010	1 1/2	3 5/8	5 1/2	3	29	180A11	1 1/2	14
12	S180B12	9.750	1 1/2	4	6	3	32	180A12	1 1/2	16
13	S180B13	10.480	1 1/2	4 5/8	6 3/4	3 1/8	40	180A13	1 1/2	20
14	S180B14	11.210	1 1/2	5 1/4	7	3 1/8	44	180A14	1 1/2	24
15	S180B15	11.930	1 1/2	5 1/4	7	3 1/8	48	180A15	1 1/2	28
16	S180B16	12.660	1 1/2	5 1/4	7	3 1/8	52	180A16	1 1/2	32
17	S180B17	13.390	1 1/2	5 1/4	7	3 1/8	58	180A17	1 1/2	37
18	S180B18	14.110	1 1/2	5 1/4	7	3 1/8	63	180A18	1 1/2	43
19	S180B19	14.830	1 1/2	5 3/8	7 1/2	3 3/8	74	180A19	1 1/2	47
20	S180B20	15.560	1 1/2	5 3/8	7 1/2	3 3/8	81	180A20	1 1/2	53
21	S180B21	16.280	1 1/2	5 3/8	7 1/2	3 3/8	83	180A21	1 1/2	57
22	S180B22	17.000	1 1/2	5 3/8	7 1/2	3 3/8	92	180A22	1 1/2	62
23	S180B23	17.720	1 1/2	5 3/8	7 1/2	3 3/8	99	180A23	1 1/2	69
24	S180B24	18.440	1 1/2	5 3/8	7 1/2	3 3/8	105	180A24	1 1/2	77
25	S180B25	19.160	1 1/2	5 3/8	7 1/2	3 3/8	113	180A25	1 1/2	84
28	S180B28	21.320	1 1/2	5 1/2	8	3 1/2	135	180A28	1 1/2	104
30	S180C30	22.760	1 1/2	5 3/4	8 1/2	4 3/8	180	180A30	1 1/2	120
35	S180C35	26.350	1 1/2	5 3/4	8 1/2	4 3/8	222	180A35	1 1/2	172
40	S180C40	29.940	1 1/2	5 3/4	8 1/2	4 3/8	270	180A40	1 1/2	229
45	S180C45	33.530	1 1/2	6	9	5	315	180A45	1 1/2	284
54	S180C54	39.980	1 1/2	6	9	5	477	180A54	1 1/2	420
60	S480C60	44.280	1 1/2	6 1/2	9 1/2	5 3/8	489	180A60	1 1/2	505

200-1

2 1/2" X 1 1/2"



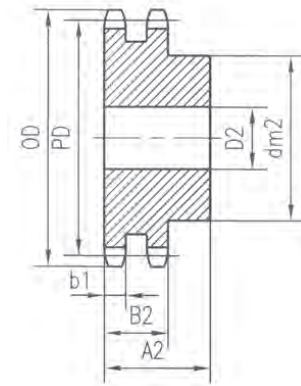
Pinions		Inches
Tooth Radius	$r_s$	2.654
Radius Width	C	0.312
Tooth Width	$B_1$	1.389
ROLLER- $\phi 1.562$ "		

200-1 FOR 2 1/2" PITCH ANSI CHAIN

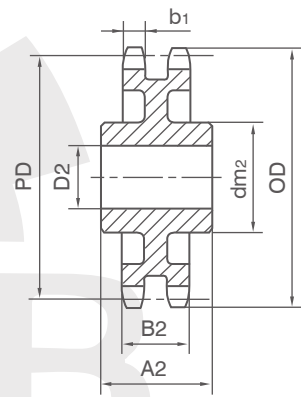
SINGLE-TYPE B&C								SINGLE-TYPE A		
TEETH NO.	CATALOG NO.	OD	BORE		dm1	A1	WT LBS.	CATALOG NO.	STOCK BORE	WT. LBS.
			STOCK	MAX						
10	S200B10	9.200	1 1/2	3 3/4	5 1/2	3	26	200A10	1 1/2	16
11	S200B11	10.020	1 1/2	4	6	3	33	200A11	1 1/2	20
12	S200B12	10.830	1 1/2	4 1/2	6 1/2	3	37	200A12	1 1/2	24
13	S200B13	11.640	1 1/2	5 1/4	7	3	46	200A13	1 1/2	30
14	S200B14	12.460	1 1/2	5 3/8	7 1/2	3 1/2	59	200A14	1 1/2	32
15	S200B15	13.260	1 1/2	5 3/8	7 1/2	3 1/2	64	200A15	1 1/2	40
16	S200B16	14.070	1 1/2	5 3/8	7 1/2	3 1/2	72	200A16	1 1/2	46
17	S200B17	14.870	1 1/2	5 3/8	7 1/2	3 1/2	76	200A17	1 1/2	51
18	S200B18	15.680	1 1/2	5 3/8	7 1/2	3 1/2	84	200A18	1 1/2	57
19	S200B19	16.480	1 1/2	5 3/8	7 1/2	3 1/2	91	200A19	1 1/2	65
20	S200B20	17.290	1 1/2	5 3/8	7 1/2	3 1/2	98	200A20	1 1/2	72
21	S200B21	18.090	1 1/2	5 3/8	7 1/2	3 1/2	106	200A21	1 1/2	82
22	S200B22	18.890	1 1/2	5 3/4	8 1/2	4	131	200A22	1 1/2	88
23	S200B23	19.690	1 1/2	5 3/4	8 1/2	4	136	200A23	1 1/2	95
24	S200B24	20.490	1 1/2	5 3/4	8 1/2	4	142	200A24	1 1/2	105
25	S200B25	21.290	1 1/2	5 3/4	8 1/2	4	153	200A25	1 1/2	113
26	S200C26	22.090	1 1/2	5 3/4	8 1/2	4 1/2	178	200A26	1 1/2	124
28	S200C28	23.690	1 1/2	5 3/4	8 1/2	4 1/2	195	200A28	1 1/2	144
30	S200C30	25.290	1 1/2	5 3/4	8 1/2	4 1/2	212	200A30	1 1/2	167
32	S200C32	26.880	1 1/2	5 3/4	8 1/2	4 1/2	220	200A32	1 1/2	195
35	S200C35	29.280	1 1/2	5 3/4	8 1/2	4 1/2	254	200A35	1 1/2	227
40	S200C40	33.270	1 1/2	6	9	5	320	200A40	1 1/2	301
45	S200C45	37.250	1 1/2	6	9	5	364	200A45	1 1/2	390
54	S200C54	44.420	1 1/2	6 1/2	9 1/2	5 1/2	512	200A54	1 1/2	555
60	S200C60	49.200	1 1/2	6 1/2	9 1/2	5 1/2	654	200A60	1 1/2	692

200-2 FOR 2 1/2" PITCH ANSI CHAIN

TEETH NO.	CATALOG NO.	OD	TYPE	BORE		HUB		WT LBS.
				STOCK	MAX	dm2	A2	
11	D200B11	10.020	B2	2	3/4	5 1/2	5 7/8	57
12	D200B12	10.830	B2	2	4 1/2	6 1/2	6 1/4	80
13	D200B13	11.640	B2	2	5 1/4	7	6 3/8	96
14	D200B14	12.460	B2	2	5 1/2	8	6 3/8	119
15	D200B15	13.260	B2	2	5 3/4	8 1/2	6 3/8	138
16	D200B16	14.070	B2	2	5 3/4	8 1/2	6 5/8	161
17	D200B17	14.870	B2	2	5 3/4	8 1/2	6 5/8	178
18	D200B18	15.680	B2	2	5 3/4	8 1/2	6 5/8	196
19	D200B19	16.480	B2	2	5 3/4	8 1/2	6 5/8	217
20	D200B20	17.290	B2	2	5 3/4	8 1/2	6 5/8	236
21	D200B21	18.090	B2	2	5 3/4	8 1/2	6 5/8	250
22	D200B22	18.890	B2	2	5 3/4	8 1/2	6 5/8	284
23	D200B23	19.690	B2	2	5 3/4	8 1/2	6 5/8	308
24	D200B24	20.490	B2	2	5 3/4	8 1/2	6 5/8	330
25	D200B25	21.290	B2	2	5 3/4	8 1/2	6 5/8	358
26	D200B26	22.090	B2	2	5 3/4	8 1/2	6 5/8	386
45	D200C45	37.250	C2	1 1/2	7	10	8 1/2	665
60	D200C60	49.200	C2	1 1/2	7	10	9	972



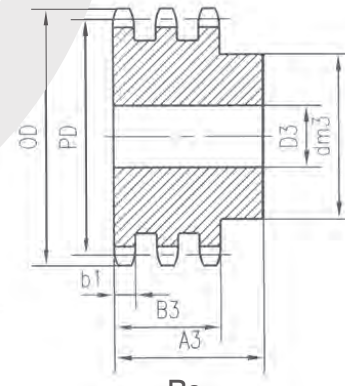
B2



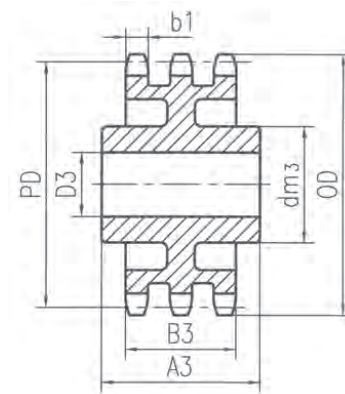
C2

200-3 FOR 2 1/2" PITCH ANSI CHAIN

TEETH NO.	CATALOG NO.	OD	TYPE	BORE		HUB		WT LBS.
				STOCK	MAX	dm3	A3	
11	T200B11	10.020	B3	23/16	3 15/16	6	8 1/4	95.0
12	T200B12	10.830	B3	23/16	4 1/4	6 3/4	8 1/4	118.0
13	T200B13	11.640	B3	23/16	5	7 1/2	8 1/4	143.0
14	T200B14	12.460	B3	23/16	5	7 1/2	8 1/4	167.0
15	T200B15	13.260	B3	23/16	5 1/2	8	8 1/4	195.0
16	T200B16	14.070	B3	23/16	5 1/2	8	8 1/4	223.0
17	T200B17	14.870	B3	23/16	5 1/2	8	8 1/4	252.0
18	T200B18	15.680	B3	23/16	5 1/2	8	8 1/4	284.0
19	T200B19	16.480	B3	23/16	5 1/2	8	8 1/4	318.0
20	T200B20	17.290	B3	23/16	5 1/2	8	8 1/4	353.0
21	T200B21	18.090	B3	23/16	6 1/4	9	8 1/4	396.0
22	T200B22	18.890	B3	23/16	6 1/4	9	8 1/4	435.0
23	T200B23	19.690	B3	23/16	6 1/4	9	8 1/4	427.0
24	T200B24	20.490	B3	23/16	6 1/4	9	8 1/4	520.0
25	T200B25	21.290	B3	23/16	6 1/4	9	8 1/4	566.0
26	T200B26	22.090	B3	23/16	6 1/4	9	8 1/4	613.0
27	T200B27	22.890	B3	23/16	6 1/4	9	8 1/4	663.0
28	T200B28	23.690	B3	23/16	6 1/4	9	8 1/4	714.0
29	T200B29	24.490	B3	23/16	6 1/4	9	8 1/4	767.0
30	T200B30	25.290	B3	2 15/16	6 11/16	9 3/4	8 1/2	825.0
31	T200B31	26.090	B3	2 15/16	6 11/16	9 3/4	8 1/2	882.0
32	T200B32	26.880	B3	2 15/16	6 11/16	9 3/4	8 1/2	941.0
34	T200B34	28.480	B3	2 15/16	6 11/16	9 3/4	8 1/2	1065.0
35	T200B35	29.280	B3	2 15/16	6 11/16	9 3/4	8 1/2	1130.0
36	T200B36	30.080	B3	2 15/16	6 11/16	9 3/4	8 1/2	1198.0
38	T200B38	31.670	B3	2 15/16	6 11/16	9 3/4	8 1/2	1343.0
40	T200C40	33.270	C3	2 15/16	7 3/8	10 1/2	8 1/2	676.0
42	T200C42	34.860	C3	2 15/16	7 3/8	10 1/2	8 1/2	726.0
45	T200C45	37.250	C3	2 15/16	7 3/8	10 1/2	8 1/2	792.0

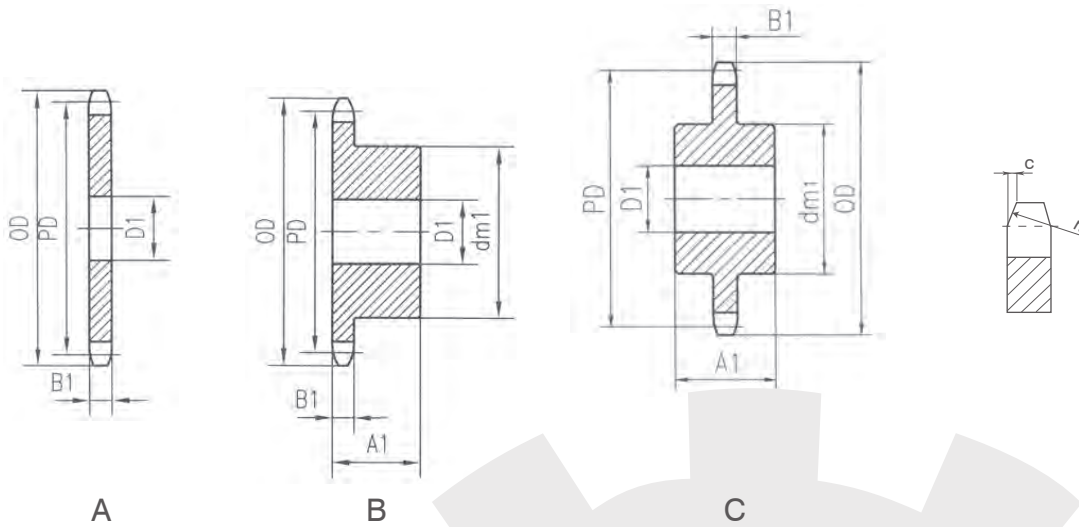


B3



C3

**240-1**  
3"X1 7/8"



Pinions		Inches
Tooth Radius	r <sub>3</sub>	2.890
Radius Width	C	0.366
Tooth Width	B <sub>1</sub>	1.738
ROLLER- $\phi$ 1.875"		

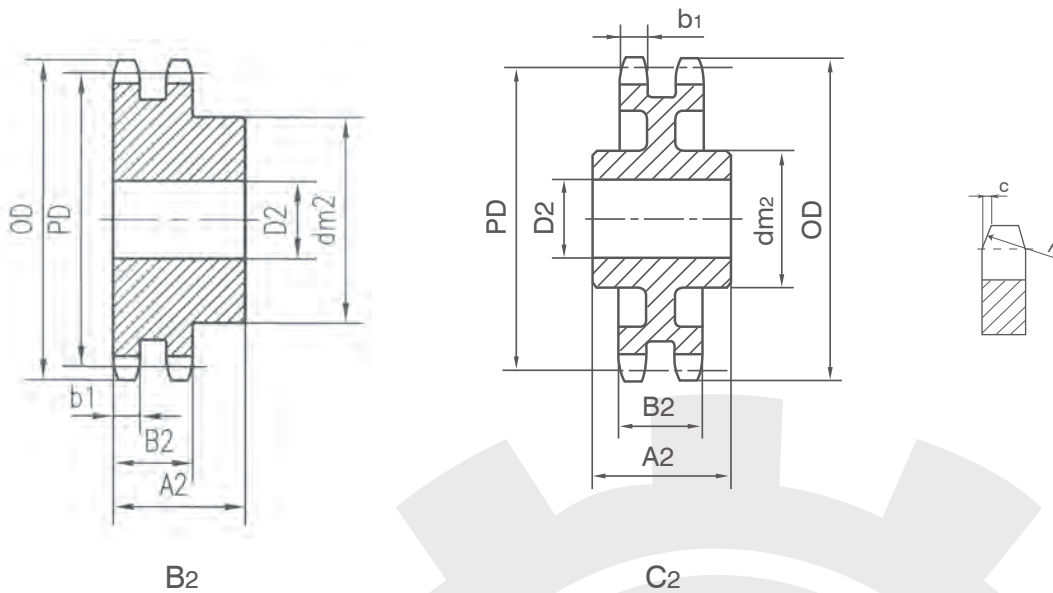
**240-1 FOR 3" PITCH ANSI CHAIN**

SINGLE-TYPE B&C								SINGLE-TYPE A		
TEETH NO.	CATALOG NO.	OD	BORE		dm <sub>1</sub>	A <sub>1</sub>	WT LBS	CATALOG NO.	STOCK BORE	WT. LBS
			STOCK	MAX						
10	S240B10	11.030	1 1/2	4 1/2	6 1/2	3 3/8	49	240A10	1 1/2	30
11	S240B11	12.020	1 1/2	4 3/4	7	3 7/8	66	240A11	1 1/2	38
12	S240B12	13.000	1 1/2	5 3/8	7 1/2	3 7/8	72	240A12	1 1/2	45
13	S240B13	13.970	1 1/2	5 3/8	7 1/2	3 7/8	81	240A13	1 1/2	54
14	S240B14	14.940	1 1/2	5 3/8	7 1/2	3 7/8	88	240A14	1 1/2	62
15	S240B15	15.910	1 1/2	5 3/8	7 1/2	3 7/8	98	240A15	1 1/2	68
16	S240B16	16.880	1 1/2	5 1/2	8	4 1/8	120	240A16	1 1/2	82
17	S240B17	17.850	1 1/2	5 1/2	8	4 1/8	137	240A17	1 1/2	93
18	S240B18	18.810	1 1/2	5 1/2	8	4 1/8	142	240A18	1 1/2	108
19	S240B19	19.780	1 1/2	5 1/2	8	4 1/8	154	240A19	1 1/2	120
20	S240B20	20.740	1 1/2	5 1/2	8	4 1/8	169	240A20	1 1/2	128
21	S240B21	21.710	1 1/2	5 1/2	8	4 1/8	186	240A21	1 1/2	148
25	S240B25	25.550	1 1/2	5 1/2	8	4 1/8	254	240A25	1 1/2	208
30	S240C30	30.340	1 1/2	6	9	6 1/4	398	240A30	1 1/2	310
35	S240C35	35.130	1 1/2	6	9	6 1/4	527	240A35	1 1/2	416
40	S240C40	39.920	1 1/2	7	10	6 3/4	672	240A40	1 1/2	548
45	S240C45	44.700	1 1/2	7	10	6 3/4	850	240A45	1 1/2	702
54	S240C54	53.310	1 1/2	7	10	6 3/4	1148	240A54	1 1/2	1022
60	S240C60	59.040	1 1/2	7	10	6 3/4	1419	240A60	1 1/2	1268



**Sprockets**

**240-2**  
3"X1 7/8"



Pinions		Inches
Tooth Radius	$r_3$	2.890
Radius Width	C	0.366
Tooth Width	$b_1$	1.682
Tooth Width	$B_2$	5.140
ROLLER- $\phi 1.875$ "		

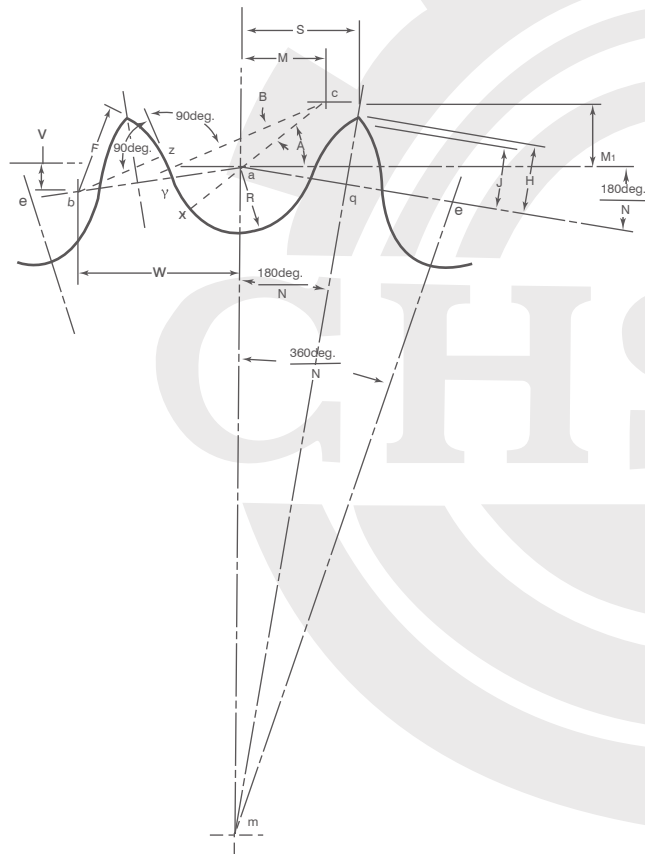
**240-2 FOR 3" PICTH ANSI CHAIN**

TEETH NO.	CATALOG NO.	OD	TYPE	BORE		HUB		WT LBS.
				STOCK	MAX	dm2	A2	
12	D240B12	13.00	B2	23/16	5 1/2	8	6 1/2	140
13	D240B13	13.97	B2	213/16	5 1/2	8	6 3/4	169
14	D240B14	14.94	B2	213/16	5 1/2	8	6 3/4	197
15	D240B15	15.91	B2	213/16	5 1/2	8	6 3/4	228
16	D240B16	16.88	B2	27/16	6 1/4	9	7	265
17	D240B17	17.85	B2	27/16	6 1/4	9	7	300
18	D240B18	18.81	B2	27/16	6 1/4	9	7	338
19	D240B19	19.78	B2	27/16	6 1/4	9	7	378
20	D240B20	20.74	B2	27/16	6 1/4	9	7	420
21	D240B21	21.71	B2	27/16	6 1/4	9	7	465
22	D240B22	22.66	B2	27/16	6 1/4	9	7	512
23	D240C23	23.63	C2	27/16	6 1/4	9	7	359
24	D240C24	24.59	C2	27/16	6 1/4	9	7	375
25	D240C25	25.55	C2	27/16	6 1/4	9	7	397
26	D240C26	26.51	C2	27/16	6 1/2	9 1/2	7 1/2	435
27	D240C27	27.47	C2	27/16	6 1/2	9 1/2	7 1/2	452
28	D240C28	28.43	C2	27/16	6 1/2	9 1/2	7 1/2	522
30	D240C30	30.34	C2	215/16	6 1/2	9 1/2	7 1/2	540
32	D240C32	32.13	C2	215/16	7 3/8	10 1/2	8	574
35	D240C35	35.13	C2	215/16	7 3/8	10 1/2	8	640
36	D240C36	35.95	C2	215/16	7 3/8	10 1/2	8	660
40	D240C40	39.92	C2	215/16	7 3/8	10 1/2	8	775
44	D240C44	43.62	C2	215/16	8 1/4	11 3/4	9	931
45	D240C45	44.70	C2	215/16	8 1/4	11 3/4	9	953
48	D240C48	47.45	C2	215/16	8 1/4	11 3/4	9	1035
52	D240C52	51.27	C2	215/16	8 1/4	11 3/4	9	1014
54	D240C54	53.31	C2	215/16	8 1/4	11 3/4	9	1065
60	D240C60	59.04	C2	215/16	8 1/4	11 3/4	9	1185

# Sprockets - Chain ANSI B29.1M-1993

The American Standard ANSI B29.1 stipulates that the theoretic tooth gap form. Precise roller chain sprocket is composed of three curves and a straight line. It conforms tooth gap form of ISO 606 international standard and is similar to the tooth gap form stipulated by Chinese Standard GB1244-1985.

### calculating formula for tooth space and geometric feature



THEORETICAL TOOTH FORM

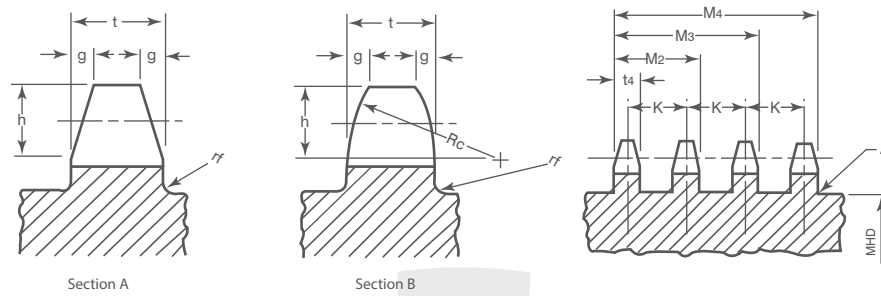
P-pitch  
N- number of teeth  
Dr- roller diameter

Name	Code	Formula
roller seating dia.	Ds	$D_s = 1.005D_r + 0.003, \text{in}$
roller seating radius	R	$R = \frac{D_s}{2} 0.5025D_r + 0.0015, \text{in}$
roller seating angle	A	$A = 35^\circ + \frac{60^\circ}{N}$
working flank center angle	B	$B = 18^\circ - \frac{56^\circ}{N}$
length of arc line segment	ac	$ac = 0.8Dr$
working flank coordinate	M	$M = 0.8Dr \cos(35^\circ + \frac{60^\circ}{N})$
working flank coordinate	M1	$M_1 = 0.8Dr \sin(35^\circ + \frac{60^\circ}{N})$
working flank radius	E(cy)	$E = 1.3025Dr + 0.0015 \text{in}$
working flank chord length	XY	$XY = (2.605Dr + 0.003) \sin(9^\circ - \frac{28^\circ}{N}), \text{in}$
YZ chord length	YZ	$YZ = Dr [1.4 \sin(17^\circ - \frac{64^\circ}{N}) - 0.8 \sin(18^\circ - \frac{56^\circ}{N})]$
length of arc line segment	ab	$ab = 1.4Dr$
tip center coordinate	W	$W = 1.4Dr \cos \frac{180^\circ}{N}$
tip center coordinate	V	$V = 1.4Dr \sin \frac{180^\circ}{N}$
tip radius	F	$F = Dr [0.8 \cos(18^\circ - \frac{56^\circ}{N}) + 1.4 \cos(17^\circ - \frac{64^\circ}{N}) - 1.3025] - 0.0015, \text{in}$
height of tooth above pitch polygon	H	$H = \sqrt{F^2 - (1.4Dr - \frac{P}{2})^2}$
tip side coordinate	S	$S = \frac{P}{2} \cos \frac{180^\circ}{N} + H \sin \frac{180^\circ}{N}$
min.pressure angle		$X_{ab} = 17^\circ - \frac{64^\circ}{N} + B$
average pressure angle		$26^\circ - \frac{92^\circ}{N}$
roller seating space angle		$100^\circ - \frac{120^\circ}{N}$



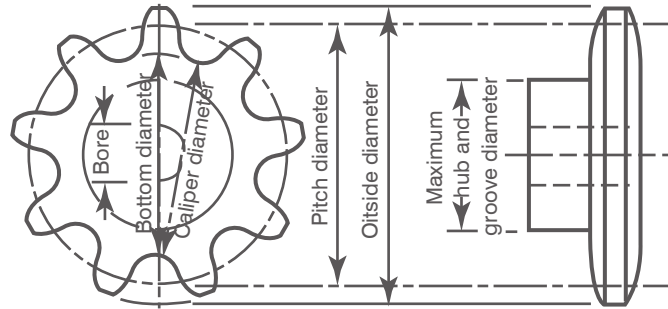
# Sprockets - Chain ANSI B29.1M-1993

## Sprocket Tooth Dimensions



Chain Data All Sprockets				single strand t and THR	Double and Triple			4 Strands				Minvs Tolerance on "1" and "M" Machina	Minvs Tolerance on THR	
A.S.A Chain No.	Pitch P	Roller Width W	Roller Dia		t2	M2	M3	t4	M2	M3	M4			K
<b>STANDARD ROLLER CHAIN SPROCKETS SERIES</b>														
25	1/4	1/8	0.130	0.110	0.107	0.359	0.611	0.096	0.348	0.600	0.852	0.252	0.007	0.021
35	3/8	3/16	0.200	0.168	0.162	0.561	0.960	0.149	0.548	0.947	1.346	0.399	0.008	0.027
41	1/2	1/4	0.306	0.227									0.009	0.032
40	1/2	5/16	0.312	0.284	0.275	0.841	1.407	0.256	0.822	1.388	1.954	0.566	0.009	0.035
50	5/8	3/8	0.400	0.343	0.332	1.045	1.758	0.311	1.024	1.737	2.450	0.713	0.010	0.036
60	3/4	1/2	0.469	0.459	0.444	1.341	2.238	0.418	1.315	2.212	3.108	0.897	0.011	0.036
80	1	5/8	0.625	0.575	0.557	1.700	2.863	0.526	1.679	2.832	3.985	1.153	0.012	0.040
100	1 1/4	3/4	0.750	0.692	0.669	2.077	3.484	0.633	2.041	3.449	4.857	1.408	0.014	0.046
120	1 1/2	1	0.875	0.924	0.894	2.683	4.472	0.848	2.637	4.426	6.215	1.789	0.016	0.057
140	1 3/4	1	1.000	0.924	0.894	2.818	4.472	0.848	2.772	4.696	6.620	1.924	0.016	0.057
160	2	1 1/4	1.125	1.156	1.119	3.424	5.729	1.063	3.368	5.673	7.978	2.305	0.019	0.062
180	2 1/4	1 13/32	1.406	1.301	1.259	3.851	6.443	1.197	3.789	6.381	8.973	2.592	0.020	0.068
200	2 1/2	1 1/2	1.562	1.389	1.344	4.161	6.978	1.278	4.095	6.912	9.729	2.817	0.021	0.072
240	3	1 7/8	1.875	1.738	1.682	5.140	8.498	1.601	5.059	8.517	11.975	3.458	0.025	0.087
<b>HEAVY CHAIN SPROCKETS SERIES</b>														
60H	0.750	0.500	0.469	0.459	0.444	1.472	2.500	0.418	1.446	2.474	3.502	1.028	0.011	0.036
80H	1.000	0.625	0.625	0.575	0.557	1.840	3.123	0.526	1.809	3.092	4.375	1.283	0.012	0.040
100H	1.250	0.750	0.750	0.692	0.669	2.208	3.747	0.633	2.172	3.711	5.250	1.539	0.014	0.046
120H	1.500	1.000	0.875	0.924	0.894	2.818	4.742	0.848	2.772	4.696	6.620	1.924	0.016	0.057
140H	1.750	1.000	1.000	0.924	0.894	2.949	5.004	0.848	2.903	4.958	7.013	2.055	0.016	0.057
160H	2.000	1.250	1.125	1.156	1.119	3.555	5.991	1.063	3.499	5.935	8.371	2.436	0.019	0.062
180H	2.250	1.406	1.406	1.301	1.259	3.982	6.705	1.197	3.920	6.643	9.366	2.723	0.020	0.068
200H	2.500	1.500	1.562	1.389	1.344	4.427	7.510	1.278	4.361	7.444	10.527	3.083	0.021	0.072

# Sprockets - Chain ANSI B29.1M-1993



SPROCKET DIAMETERS

## Sprocket Diameter Formula

Name	Code	Formulas	Note
Pitch Reference Cylinder	PD	$PD = \frac{P}{\sin \frac{180^\circ}{N}}$	P= pitch N= number of teeth
Tip Diameter	OD	$DO = P(0.6 + \text{ctg} \frac{180^\circ}{N})$	
Root Diameter	BD	$BD = PD - Dr$	Dr- roller diameter
Hub Diameter	MHD	$MHD = P(\text{ctg} \frac{180^\circ}{N} - 1) - 0.76$	

Checking method for tooth space accuracy:

When the actual height of tooth  $J=0.3P$ ,  
the approximate value of tip diameter is

$$P(0.6 + \text{tg} \frac{180^\circ}{N});$$

When  $J=H$ , the tip diameter is

$$P \text{ctg} \frac{180^\circ}{N} + \cos \frac{180^\circ}{N} (Ds - Dr) + 2H.$$

Standard ANSI B29.1M stipulate that the measurement of tooth space is to measure root diameter CD. CD nominal value should be:

even number of teeth

$$CD = PD - Dr = BD$$

odd number of teeth

$$CD = PD(\cos \frac{90^\circ}{N}) - Dr$$

Standard ANSI B29.1M stipulate the plus tolerance of CD is zero.

Reference should be made to table of CD value of tooth space for the selection of CD tolerance figure for sprockets of different pitches and preision.

# Sprockets - Chain ANSI B29.1M-1993

## Tolerance Table For Tooth Space CD Value ordinary grade

in Inches

chain pitch P	Z									
	≤15	16~24	25~35	36~48	49~63	64~80	81~99	100~120	121~143	≥144
1/4 (0.250)	0.008	0.008	0.008	0.010	0.010	0.010	0.010	0.012	0.012	0.012
3/8 (0.375)	0.008	0.008	0.008	0.010	0.010	0.012	0.012	0.012	0.014	0.014
1/2 (0.500)	0.008	0.010	0.011	0.012	0.013	0.014	0.015	0.016	0.017	0.018
5/8 (0.625)	0.010	0.011	0.012	0.014	0.016	0.018	0.018	0.018	0.020	0.022
3/4 (0.750)	0.010	0.012	0.014	0.016	0.018	0.020	0.020	0.022	0.024	0.026
1 (1.000)	0.012	0.014	0.016	0.018	0.020	0.022	0.024	0.026	0.028	0.030
1 1/4 (1.250)	0.014	0.016	0.018	0.020	0.024	0.026	0.028	0.032	0.034	0.036
1 1/2 (1.500)	0.014	0.018	0.021	0.024	0.026	0.030	0.032	0.036	0.038	0.042
1 3/4 (1.750)	0.016	0.020	0.024	0.026	0.030	0.034	0.038	0.040	0.044	0.048
2 (2.000)	0.018	0.022	0.026	0.030	0.034	0.038	0.042	0.046	0.050	0.054
2 1/4 (2.250)	0.020	0.024	0.028	0.032	0.036	0.042	0.046	0.050	0.056	0.060
2 1/2 (2.500)	0.020	0.026	0.030	0.036	0.040	0.046	0.050	0.056	0.060	0.066
3 (3.000)	0.024	0.030	0.036	0.042	0.048	0.054	0.060	0.066	0.072	0.078

## Tolerance Table For Tooth Space CD Value precision

in Inches

chain pitch P	Z									
	≤15	16~24	25~35	36~48	19~63	64~80	81~99	100~120	121~143	≥144
1/4 (0.250)	0.004	0.004	0.004	0.005	0.005	0.005	0.005	0.006	0.006	0.006
3/8 (0.375)	0.004	0.004	0.004	0.005	0.005	0.006	0.006	0.006	0.007	0.007
1/2 (0.500)	0.004	0.005	0.006	0.006	0.007	0.007	0.008	0.008	0.009	0.009
5/8 (0.625)	0.005	0.006	0.006	0.007	0.008	0.009	0.009	0.009	0.010	0.011
3/4 (0.750)	0.005	0.006	0.007	0.008	0.009	0.010	0.010	0.011	0.012	0.013
1 (1.000)	0.006	0.007	0.008	0.009	0.010	0.011	0.012	0.013	0.014	0.015
1 1/4 (1.250)	0.007	0.008	0.009	0.010	0.012	0.013	0.014	0.016	0.017	0.018
1 1/2 (1.500)	0.007	0.009	0.011	0.012	0.013	0.015	0.016	0.018	0.019	0.021
1 3/4 (1.750)	0.008	0.010	0.012	0.013	0.015	0.017	0.019	0.020	0.022	0.024
2 (2.000)	0.009	0.011	0.013	0.015	0.018	0.019	0.021	0.023	0.025	0.027
2 1/4 (2.250)	0.010	0.012	0.014	0.016	0.019	0.021	0.023	0.025	0.028	0.030
2 1/2 (2.500)	0.010	0.013	0.015	0.018	0.020	0.023	0.025	0.028	0.030	0.033
3 (3.000)	0.012	0.015	0.018	0.021	0.024	0.027	0.030	0.033	0.036	0.039

# Sprockets - Chain

## Calculation for the center transmission distance

The center transmission distance can be calculated by involute function:  $a = p(2L_p - Z_2 - Z_1)K_a$

P — chain pitch

$L_p$  — number of links

Ka Coefficient Ka

$\frac{L_p - Z_1}{Z_2 - Z_1}$	Ka	$\frac{L_p - Z_1}{Z_2 - Z_1}$	Ka	$\frac{L_p - Z_1}{Z_2 - Z_1}$	Ka
1.050	0.19245	1.122	0.20957	1.194	0.21927
1.052	0.19312	1.124	0.20991	1.196	0.21948
1.054	0.19378	1.126	0.21024	1.198	0.21969
1.056	0.19441	1.128	0.21057	1.200	0.21990
1.058	0.19504	1.130	0.21090	1.202	0.22011
1.060	0.19564	1.132	0.21122	1.204	0.22031
1.062	0.19624	1.134	0.21153	1.206	0.22051
1.064	0.19682	1.136	0.21184	1.208	0.22071
1.066	0.19739	1.138	0.21215	1.210	0.22090
1.068	0.19794	1.140	0.21245	1.212	0.22110
1.070	0.19848	1.142	0.21275	1.214	0.22129
1.072	0.19902	1.144	0.21304	1.216	0.22148
1.074	0.19954	1.146	0.21333	1.218	0.22167
1.076	0.20005	1.148	0.21361	1.220	0.22185
1.078	0.2005	1.150	0.21390	1.222	0.22185
1.080	0.20104	1.152	0.21417	1.224	0.22222
1.082	0.20152	1.154	0.21445	1.226	0.22240
1.084	0.20199	1.156	0.21472	1.228	0.22257
1.086	0.20246	1.158	0.21499	1.230	0.22275
1.088	0.20291	1.160	0.21525	1.232	0.22293
1.090	0.20336	1.162	0.21551	1.234	0.22310
1.092	0.20380	1.164	0.21577	1.236	0.22327
1.094	0.20423	1.166	0.21602	1.238	0.22344
1.096	0.20465	1.168	0.21627	1.240	0.22360
1.098	0.20507	1.170	0.21652	1.242	0.22377
1.100	0.20548	1.172	0.21677	1.244	0.22393
1.102	0.20588	1.174	0.21701	1.246	0.22410
1.104	0.20628	1.176	0.21725	1.248	0.22426
1.106	0.20667	1.178	0.21748	1.250	0.22442
1.108	0.20405	1.180	0.21772	1.252	0.22457
1.112	0.20780	1.184	0.21817	1.256	0.22488
1.114	0.20817	1.186	0.21840	1.258	0.22504
1.116	0.20852	1.188	0.21841	1.260	0.22519
1.118	0.20888	1.190	0.21884	1.262	0.22534
1.120	0.20923	1.192	0.21906	1.264	0.22548

Ka Coefficient Ka

$\frac{L_p - Z_1}{Z_2 - Z_1}$	Ka	$\frac{L_p - Z_1}{Z_2 - Z_1}$	Ka	$\frac{L_p - Z_1}{Z_2 - Z_1}$	Ka
1.266	0.22563	1.46	0.23512	2.20	0.24552
1.268	0.22578	1.47	0.23556	2.25	0.24578
1.270	0.22592	1.48	0.23588	2.30	0.24602
1.272	0.22606	1.49	0.23618	2.35	0.24623
1.274	0.22621	1.50	0.23648	2.40	0.23643
1.276	0.22635	1.51	0.23677	2.45	0.24662
1.278	0.22648	1.52	0.23704	2.50	0.24679
1.280	0.22622	1.53	0.23731	2.55	0.24694
1.282	0.22676	1.54	0.23757	2.60	0.24709
1.284	0.22689	1.55	0.23782	2.65	0.24722
1.286	0.22703	1.56	0.23806	2.70	0.24735
1.288	0.22716	1.57	0.23830	2.75	0.24747
1.290	0.22729	1.58	0.23853	2.80	0.24758
1.292	0.22742	1.59	0.23875	2.85	0.24768
1.294	0.22755	1.60	0.23896	2.90	0.24778
1.296	0.22768	1.61	0.23917	2.95	0.24787
1.298	0.22780	1.62	0.23938	3.0	0.24795
1.300	0.22793	1.63	0.23957	3.1	0.24811
1.305	0.22824	1.64	0.23976	3.2	0.24825
1.310	0.22854	1.65	0.23995	3.3	0.24837
1.315	0.22883	1.66	0.24013	3.4	0.24848
1.320	0.22912	1.67	0.24031	3.5	0.24858
1.325	0.22941	1.68	0.24028	3.6	0.24887
1.330	0.22968	1.69	0.24065	3.7	0.24876
1.335	0.22955	1.70	0.24081	3.8	0.24883
1.340	0.23022	1.72	0.24112	3.9	0.24890
1.345	0.23048	1.74	0.24142	4.0	0.24896
1.350	0.23073	1.76	0.24170	4.1	0.24902
1.355	0.23098	1.78	0.24197	4.2	0.24907
1.360	0.23123	1.80	0.24222	4.3	0.24912
1.365	0.23146	1.82	0.24247	4.4	0.24916
1.370	0.23170	1.84	0.24270	4.5	0.24921
1.375	0.23193	1.86	0.24292	4.6	0.24924
1.380	0.23215	1.88	0.24313	4.7	0.24928
1.385	0.23238	1.90	0.24333	4.8	0.24931
1.390	0.23259	1.92	0.24335	4.9	0.24934
1.395	0.23281	1.94	0.24371	5.0	0.24937
1.40	0.23301	1.96	0.24388	5.5	0.24949
1.41	0.23342	1.98	0.24405	6.0	0.24958
1.42	0.23381	2.00	0.24421	7	0.24970
1.43	0.23419	2.05	0.24459	8	0.24977
1.44	0.23455	2.10	0.24493	9	0.24983
1.45	0.23490	2.15	0.24524	10	0.24986

when the figure of  $\frac{L_p - Z_2}{Z_2 - Z_1}$  is between the two figures of listed table,  $K_a$  should be calculated by way of insertion.

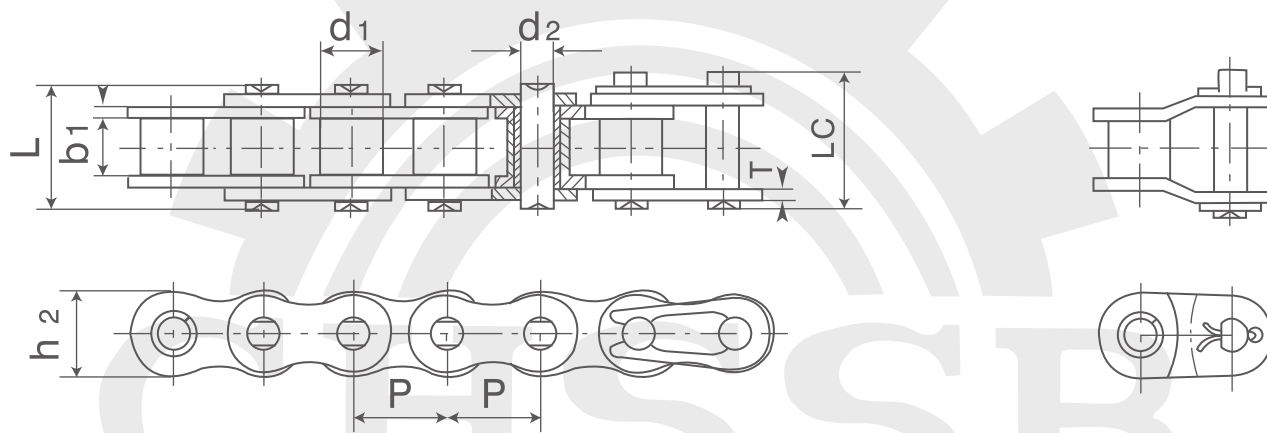




# Sprockets - Chain

ANSI B29.1M-1993

## Simplex & Bushing Chains



## Simplex Roller Chains

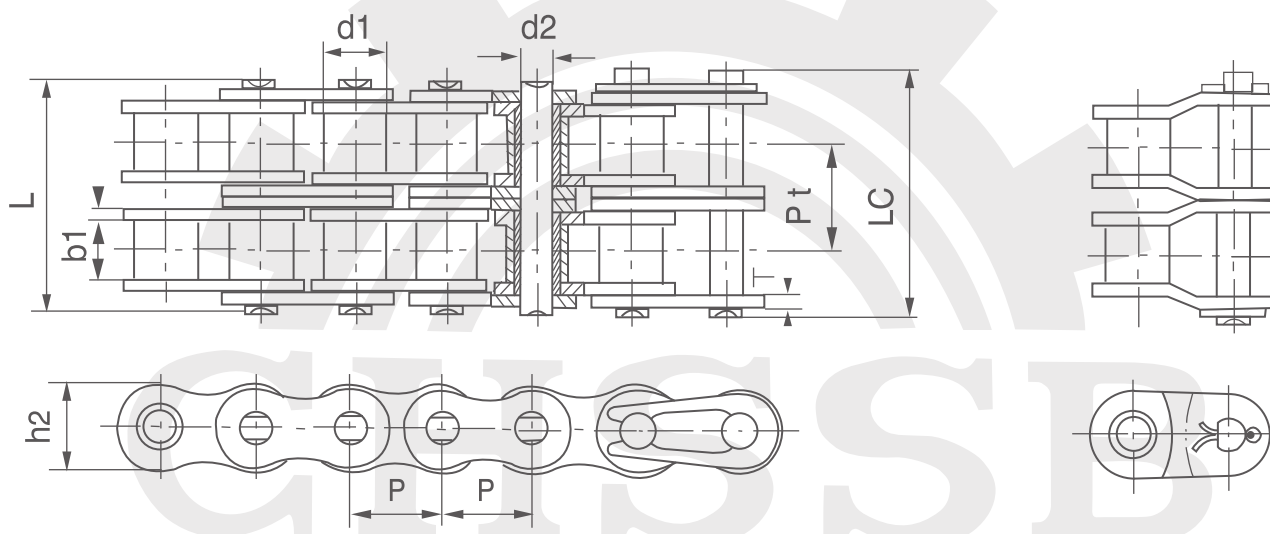
ANSI Chain No.	Pitch	Roller diameter	Width between inner plates	Pin diameter	Pin length		Inner plate depth	Ultimate tensile strength	Average tensile strength	Weight per meter
	P	d1 max	b1 min	d2 max	L max	Lc max	h2 max	Q min	Q0	q
	mm	mm	mm	mm	mm	mm	mm	kN	kN	kg/m
*25	6.35	3.30	3.18	2.31	7.9	8.4	6.0	3.5	4.4	0.15
*35	9.525	5.08	4.77	3.58	12.4	13.17	9.0	7.9	10.8	0.33
41	12.7	7.77	6.25	3.58	13.7	15.0	9.91	6.67	12.6	0.41
40	12.7	7.95	7.85	3.96	16.6	17.8	12.0	14.1	17.0	0.62
50	15.875	10.16	9.40	5.08	20.7	22.2	15.09	22.2	29.4	1.02
60	19.05	11.91	12.57	5.94	25.9	27.7	18.0	31.8	41.5	1.50
80	25.4	15.88	15.75	7.92	32.7	35.0	24.0	56.7	69.4	2.60
100	31.75	19.05	18.90	9.53	40.4	44.7	30.0	88.5	109.2	3.91
120	38.1	22.23	25.22	11.10	50.3	54.3	35.7	127.0	156.3	5.62
140	44.45	25.40	25.22	12.70	54.4	59.0	41.0	172.4	212	7.50
160	50.8	28.58	31.55	14.27	64.8	69.6	47.8	226.8	278.9	10.10
180	57.15	35.71	35.48	17.46	72.8	78.6	53.6	280.2	341.8	13.45
200	63.5	39.68	37.85	19.85	80.3	87.2	60.0	353.8	431.6	16.15
240	76.2	47.63	47.35	23.81	95.5	103.0	72.39	510.3	622.5	23.20

\*Bushing chain: d<sub>1</sub> in the table indicates the external diameter of the bushing.

# Sprockets - Chain

ANSI B29.1M-1993

## Duplex Roller & Bushing Chains



### Duplex Roller Chains

ANSI Chain No.	Pitch	Roller diameter	Width between inner plates	Pin diameter	Pin length		Inner plate depth	Transverse pitch	Ultimate tensile strength	Average tensile strength	Weight per meter
	P	d1 max	b1 min	d2 max	L max	Lc max	h2 max	P1	Q min	Qo	q
	mm	mm	mm	mm	mm	mm	mm	mm	kN	kN	kg/m
*25-2	6.35	3.30	3.18	2.31	14.5	15.0	6.0	6.40	7.0	8.2	0.28
*35-2	9.525	5.08	4.77	3.58	22.5	23.3	9.0	10.13	15.8	19.1	0.63
40-2	12.7	7.95	7.85	3.96	31.0	32.2	12.0	14.38	28.2	35.9	1.12
50-2	15.875	10.16	9.40	5.08	38.9	40.4	15.09	18.11	44.4	58.1	2.00
60-2	19.05	11.91	12.57	5.94	48.8	50.5	18.0	22.78	63.6	82.1	2.92
80-2	25.4	15.88	15.75	7.92	62.7	64.3	24.0	29.29	113.4	141.8	5.15
100-2	31.75	19.05	18.90	9.53	76.4	80.5	30.0	35.76	177.0	219.4	7.80
120-2	38.1	22.23	25.22	11.10	95.8	99.7	35.7	45.44	254.0	314.9	11.70
140-2	44.45	25.40	25.22	12.70	103.3	107.9	41.0	48.87	344.8	427.5	15.14
160-2	50.8	28.58	31.55	14.27	123.3	128.1	47.8	58.55	453.6	562.4	20.14
180-2	57.15	35.71	35.48	17.46	138.6	144.4	53.6	65.84	560.5	695	29.22
200-2	63.5	39.68	37.85	19.85	151.9	158.8	60.0	71.55	707.6	827.4	32.24
240-2	76.2	47.63	47.35	23.81	183.4	190.8	72.39	87.83	1020.6	1255.3	45.23

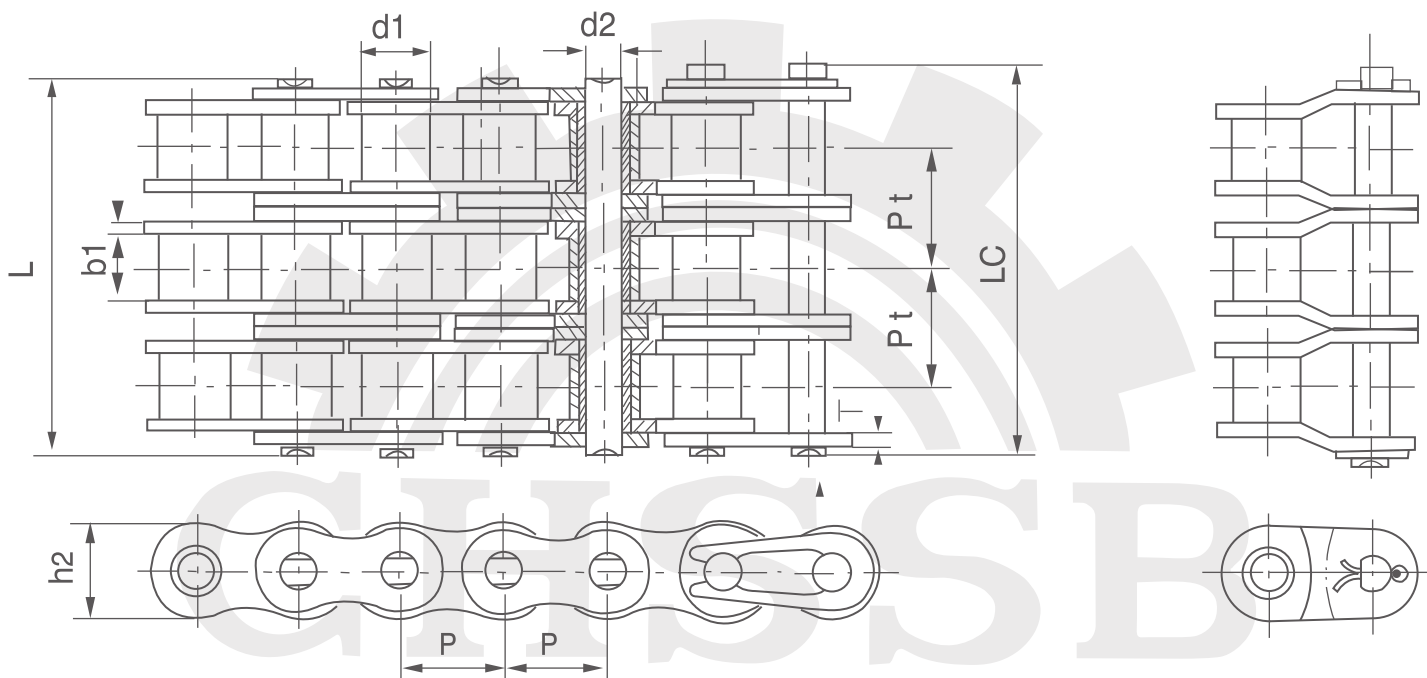
\*Bushing chain: d1 in the table indicates the external diameter of the bushing.



# Sprockets - Chain

ANSI B29.1M-1993

## Triplex Roller Chains & Bushing Chains



### Triplex Roller Chains

ANSI Chain No.	Pitch	Roller diameter	Width between inner plates	Pin diameter	Pin length		Inner plate depth	Transverse pitch	Ultimate tensile strength	Average tensile strength	Weight per meter
	P	d <sub>1</sub> max	b <sub>1</sub> min	d <sub>2</sub> max	L max	L <sub>c</sub> max	h <sub>2</sub> max	P <sub>1</sub>	Q <sub>min</sub>	Q <sub>0</sub>	q
	mm	mm	mm	mm	mm	mm	mm	mm	kN	kN	kg/m
*35-3	9.525	5.08	4.77	3.58	32.7	33.5	9.0	10.13	23.7	28.6	1.05
40-3	12.7	7.95	7.85	3.96	45.4	46.6	12.0	14.38	42.3	50.0	1.90
50-3	15.875	10.16	9.40	5.08	57.0	58.5	15.09	18.11	66.6	77.8	3.09
60-3	19.05	11.91	12.57	5.94	71.5	73.3	18.0	22.78	95.4	111.1	4.54
80-3	25.4	15.88	15.75	7.92	91.7	93.6	24.0	29.29	170.1	198.4	7.89
100-3	31.75	19.05	18.90	9.53	112.2	116.3	30.0	35.76	265.5	309.6	11.77
120-3	38.1	22.23	25.22	11.10	141.4	145.2	35.7	45.44	381.0	437.2	17.53
140-3	44.45	25.40	25.22	12.70	152.2	156.8	41.0	48.87	517.2	593.3	22.20
160-3	50.8	28.58	31.55	14.27	181.8	186.6	47.8	58.55	680.4	780.6	30.02
180-3	57.15	35.71	35.48	17.46	204.4	210.2	53.6	65.84	840.7	983.6	38.22
200-3	63.5	39.68	37.85	19.85	223.5	230.4	60.0	71.55	1061.4	1217.8	49.03
240-3	76.2	47.63	47.35	23.81	271.3	278.6	72.39	87.83	1530.9	1756.5	71.60

\*Bushing chain: d<sub>1</sub> in the table indicates the external diameter of the bushing.

# Sprockets - Chain

ANSI B29.1M-1993

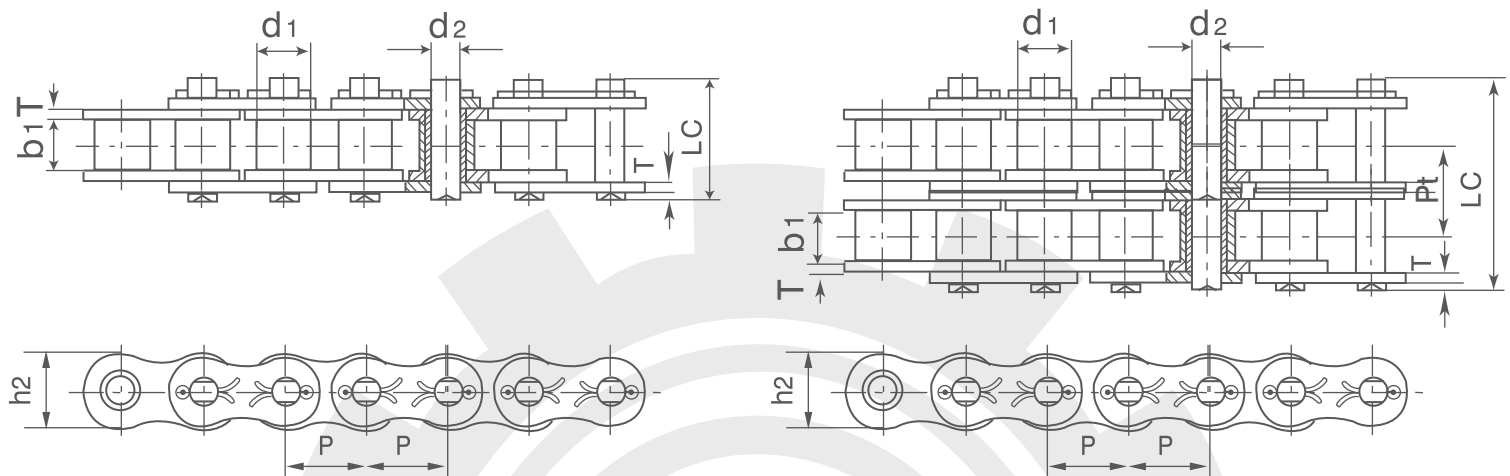
## Heavy Series of Roller Chains

ANSI Chain No.	Pitch	Roller diameter	Width between inner plates	Pin diameter	Pin length		Inner plate depth	Plate thickness	Transverse pitch	Ultimate tensile strength	Average tensile strength	Weight per meter
	P	d <sub>1</sub> max	b <sub>1</sub> min	d <sub>2</sub> max	L max	L <sub>c</sub> max	h <sub>2</sub> max	T max	P <sub>1</sub>	Q min	Q <sub>0</sub>	q
	mm	mm	mm	mm	mm	mm	mm	mm	mm	kN	kN	kg/m
40H	12.700	7.95	7.85	3.96	18.8	19.9	12.00	2.03		14.1	19.1	0.82
50H	15.875	10.16	9.40	5.08	22.1	23.4	15.09	2.42		22.2	30.2	1.25
60H	19.050	11.91	12.57	5.94	29.2	31.0	18.00	3.25		31.8	42.7	1.87
80H	25.400	15.88	15.75	7.92	36.2	37.7	24.00	4.00		56.7	71.4	3.10
100H	31.750	19.05	18.90	9.53	43.6	46.9	30.00	4.80		88.5	112.4	4.52
120H	38.100	22.23	25.22	11.10	53.5	57.5	35.70	5.60		127.0	160.9	6.60
140H	44.450	25.40	25.22	12.70	57.6	62.2	41.00	6.40		172.4	217.3	8.30
160H	50.800	28.58	31.55	14.27	68.2	73.0	47.80	7.20		226.8	285.8	10.30
200H	63.500	39.68	37.85	19.85	86.6	93.5	60.00	9.50		353.8	444.5	19.16
60H-2	19.050	11.91	12.57	5.94	55.3	57.1	18.00	3.25	26.11	63.6	84.5	3.71
80H-2	25.400	15.88	15.75	7.92	68.8	70.3	24.00	4.00	32.59	113.4	145.3	6.15
100H-2	31.750	19.05	18.90	9.53	82.7	86.0	30.00	4.80	39.09	177.0	225.9	9.03
120H-2	38.100	22.23	25.22	11.10	102.4	106.4	35.70	5.60	48.87	254.0	322.7	13.13
140H-2	44.450	25.40	25.22	12.70	109.8	114.4	41.00	6.40	52.20	344.8	437.7	16.60
160H-2	50.800	28.58	31.55	14.27	130.1	134.9	47.80	7.20	61.90	453.6	571.6	20.20
200H-2	63.500	39.68	37.85	19.85	164.9	171.8	60.00	9.50	78.31	707.6	894.9	38.11
60H-3	19.050	11.91	12.57	5.94	81.4	83.2	18.00	3.25	26.11	95.4	113.9	5.54
80H-3	25.400	15.88	15.75	7.92	101.4	102.9	24.00	4.00	32.59	170.1	203.5	9.42
100H-3	31.750	19.05	18.90	9.53	121.8	125.1	30.00	4.80	39.09	265.5	314.8	12.96
120H-3	38.100	22.23	25.22	11.10	151.2	155.2	35.70	5.60	48.87	381.0	444.7	19.64
140H-3	44.450	25.40	25.22	12.70	162.0	166.6	41.00	6.40	52.20	517.2	598.4	24.90
160H-3	50.800	28.58	31.55	14.27	192.0	196.8	47.80	7.20	61.90	680.4	787.3	30.10
200H-3	63.500	39.68	37.85	19.85	243.2	250.1	60.00	9.50	78.31	1061.4	1228.2	57.06

# Sprockets - Chain

ANSI B29.1M-1993

## Simplex & Duplex Roller Chains

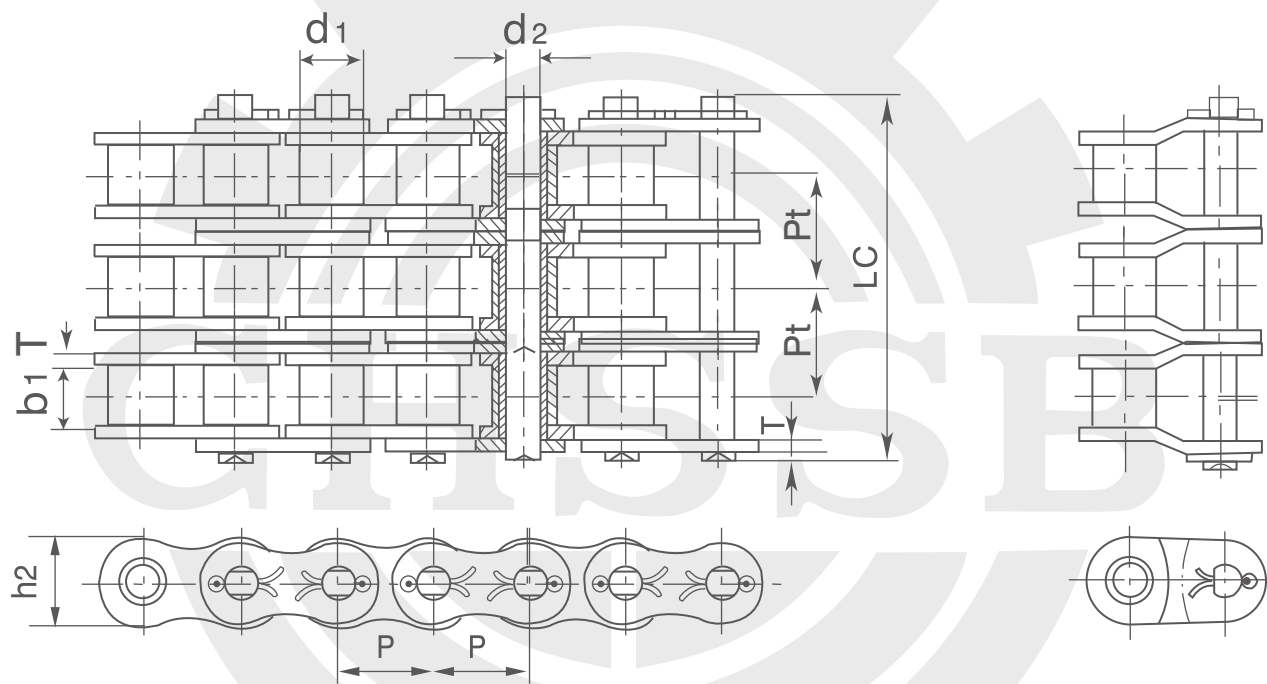
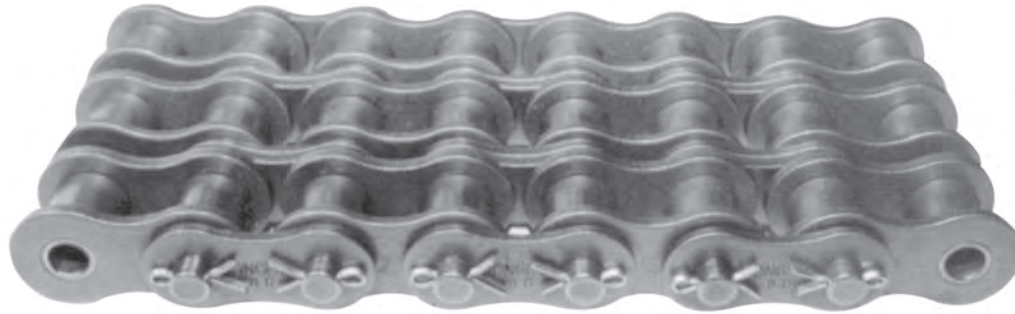


ANSI Chain No.	Pitch	Roller diameter	Width between inner plates	Pin diameter	Pin length		Inner plate depth	Transverse pitch	Ultimate tensile strength	Average tensile strength	Weight per meter
	P	d1 max	b1 min	d2 max	Lc max	h2 max	T max	P1	Q min	Q0	q
	mm	mm	mm	mm	mm	mm	mm	mm	kN	kN	kg/m
50	15.875	10.16	9.40	5.08	23.3	15.09	2.03		22.2	29.4	1.02
60	19.050	11.91	12.57	5.94	28.3	18.00	2.42		31.8	41.5	1.50
80	25.400	15.88	15.75	7.92	36.5	24.00	3.25		56.7	69.4	2.60
100	31.750	19.05	18.90	9.53	44.7	30.00	4.00		88.5	109.2	3.91
120	38.100	22.23	25.22	11.10	54.3	35.70	4.80		127.0	156.3	5.62
140	44.450	25.40	25.22	12.70	59.0	41.00	5.60		172.4	212.0	7.50
160	50.800	28.58	31.55	14.27	69.6	47.80	6.40		226.8	278.9	10.10
180	57.150	35.71	35.48	17.46	78.6	53.60	7.20		280.2	341.8	13.45
200	63.500	39.68	37.85	19.85	87.2	60.00	8.00		353.8	431.6	16.15
240	76.200	47.63	47.35	23.81	103.0	72.39	9.50		510.3	622.5	23.20
50-2	15.875	10.16	9.40	5.08	41.2	15.09	2.03	18.11	44.4	58.1	2.00
60-2	19.050	11.91	12.57	5.94	51.1	18.00	2.42	22.78	63.6	82.1	2.92
80-2	25.400	15.88	15.75	7.92	65.8	24.00	3.25	29.29	113.4	141.8	5.15
100-2	31.750	19.05	18.90	9.53	80.5	30.00	4.00	35.76	177.0	219.4	7.80
120-2	38.100	22.23	25.22	11.10	99.7	35.70	4.80	45.44	254.0	314.9	11.70
140-2	44.450	25.40	25.22	12.70	107.9	41.00	5.60	48.87	344.8	427.5	15.14
160-2	50.800	28.58	31.55	14.27	128.1	47.80	6.40	58.55	453.6	562.4	20.14
180-2	57.150	35.71	35.48	17.46	144.4	53.60	7.20	65.84	560.5	695.0	29.22
200-2	63.500	39.68	37.85	19.85	158.8	60.00	8.00	71.55	707.6	877.4	32.24
240-2	76.200	47.63	47.35	23.81	190.8	72.39	9.50	87.83	1020.6	1255.3	45.23

# Sprockets - Chain

ANSI B29.1M-1993

## Triplex Roller Chains

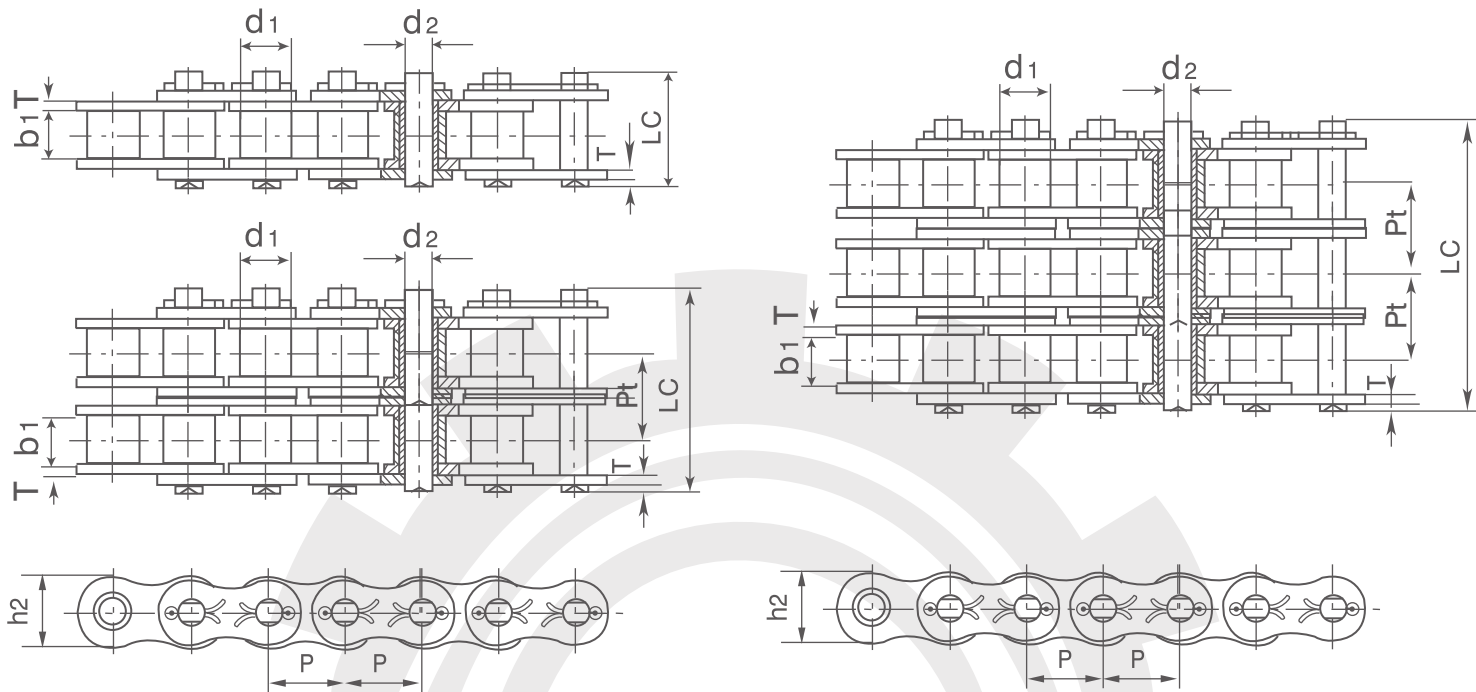


ANSI Chain No.	Pitch	Roller diameter	Width between inner plates	Pin diameter	Pin length		Inner plate depth	Transverse pitch	Ultimate tensile strength	Average tensile strength	Weight per meter
	P	d1 max	b1 min	d2 max	Lc max	h2 max	T max	P1	Q min	Q0	q
	mm	mm	mm	mm	mm		mm	mm	kN	kN	kg/m
50-3	15.875	10.16	9.40	5.08	59.3	15.09	2.03	18.11	66.6	77.8	3.06
60-3	19.050	11.91	12.57	5.94	73.9	18.00	2.42	22.78	95.4	111.1	4.54
80-3	25.400	15.88	15.75	7.92	95.1	24.00	3.25	29.29	170.1	198.4	7.89
100-3	31.750	19.05	18.90	9.53	116.3	30.00	4.00	35.76	265.5	309.6	11.7
120-3	38.100	22.23	25.22	11.10	145.2	35.70	4.80	45.44	381.0	437.2	17.53
140-3	44.450	25.40	25.22	12.70	156.8	41.00	5.60	48.87	517.2	593.3	22.20
160-3	50.800	28.58	31.55	14.27	186.6	47.80	6.40	58.55	680.4	780.6	30.02
180-3	57.150	35.71	35.48	17.46	210.2	53.60	7.20	65.84	840.7	983.6	38.22
200-3	63.500	39.68	37.85	19.85	230.4	60.00	8.00	71.55	1061.4	1217.8	49.03
240-3	76.200	47.63	47.35	23.81	278.6	72.39	9.50	87.83	1530.9	1756.5	71.60

# Sprockets - Chain

ANSI B29.1M-1993

## Heavy Series of Cottered Type Roller Chains

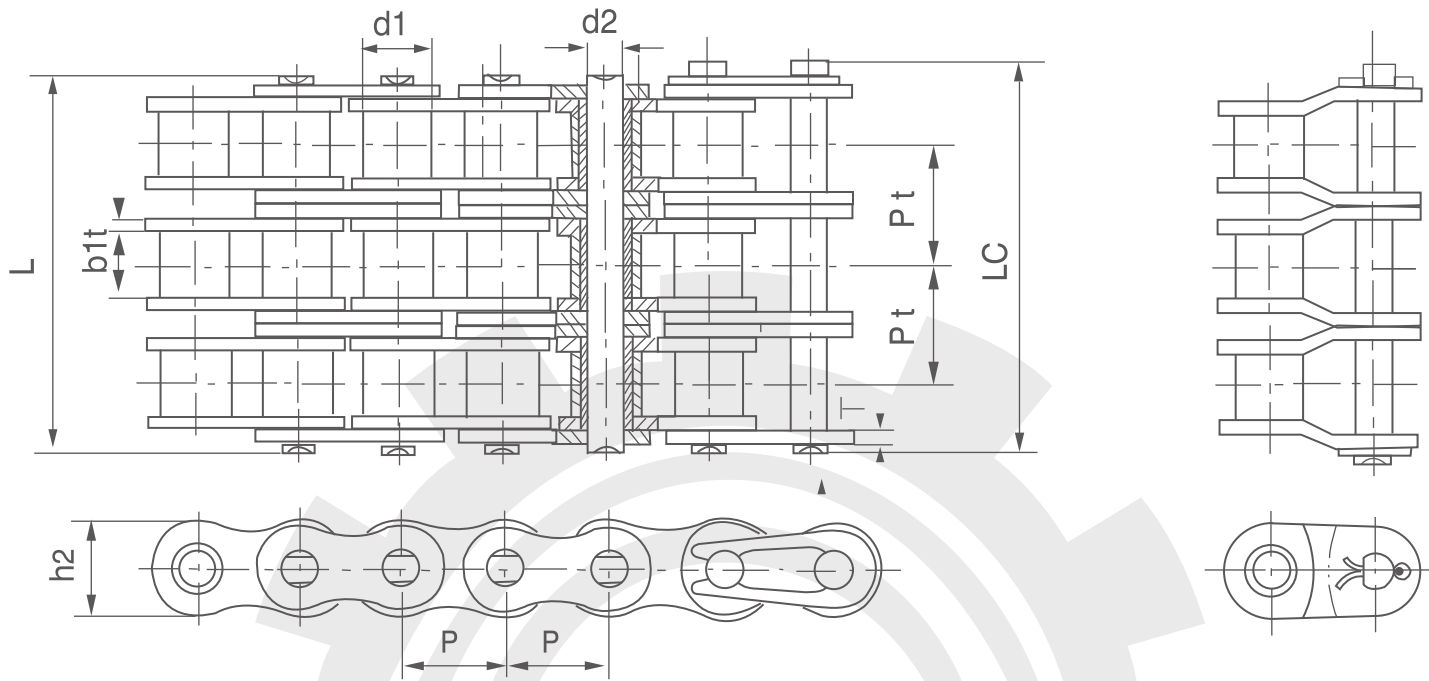


ANSI Chain No.	Pitch	Roller diameter	Width between inner plates	Pin diameter	Pin length	Inner plate depth	Plate thickness	Transverse pitch	Ultimate tensile strength	Average tensile strength	Weight per meter
	P	d1 max	b1 min	d2 max	Lc max	h2 max	T max	P1	Q min	Q0	q
	mm	mm	mm	mm	mm	mm	mm	mm	kN	kN	kg/m
50H	15.875	10.16	9.40	5.08	24.4	15.09	2.42		22.2	30.2	1.25
60H	19.050	11.91	12.57	5.94	31.6	18.00	3.25		31.8	42.7	1.87
80H	25.400	15.88	15.75	7.92	39.4	24.00	4.00		56.7	71.4	3.10
100H	31.750	19.05	18.90	9.53	46.9	30.0	4.80		88.5	112.4	4.52
120H	38.100	22.23	25.22	11.10	57.5	35.70	5.60		127.0	160.9	6.60
140H	44.450	25.40	25.22	12.70	62.2	41.00	6.40		172.4	217.3	8.30
160H	50.800	28.58	31.55	14.27	73.0	47.80	7.20		226.8	285.8	10.30
200H	63.500	39.68	37.85	19.85	93.5	60.00	9.50		353.8	444.5	19.16
60H-2	19.050	11.91	12.57	5.94	57.7	18.00	3.25	26.11	63.6	84.5	3.71
80H-2	25.400	15.88	15.75	7.92	72.0	24.00	4.00	32.59	113.4	145.3	6.15
100H-2	31.750	19.05	18.90	9.53	86.0	30.00	4.80	39.09	177.0	225.9	9.03
120H-2	38.100	22.23	25.22	11.10	106.4	35.70	5.60	48.87	254.0	322.7	13.13
140H-2	44.450	25.40	25.22	12.70	114.4	41.00	6.40	52.20	344.8	437.7	16.60
160H-2	50.800	28.58	31.55	14.27	134.9	47.80	7.20	61.90	453.6	571.6	20.20
200H-2	63.500	39.68	37.85	19.85	171.8	60.00	9.50	78.31	707.6	894.9	31.11
60H-3	19.050	11.91	12.57	5.94	83.8	18.00	3.25	26.11	95.4	113.9	5.54
80H-3	25.400	15.88	15.75	7.92	104.6	24.00	4.00	32.59	170.1	203.5	9.42
100H-3	31.750	19.05	18.90	9.53	125.1	30.00	4.80	39.09	265.5	314.8	12.96
120H-3	38.100	22.23	25.22	11.10	155.2	35.70	5.60	48.87	381.0	444.7	19.64
140H-3	44.450	25.40	25.22	12.70	166.6	41.00	6.40	52.20	517.2	298.4	24.90
160H-3	50.800	28.58	31.55	14.27	196.8	47.80	7.20	61.90	680.4	787.3	30.10
200H-3	63.500	39.68	37.85	19.85	250.1	60.00	9.50	78.31	1061.4	1228.2	57.06

# Sprockets - Chain

ANSI B29.1M-1993

## Roller Chains With Straight Side Plates

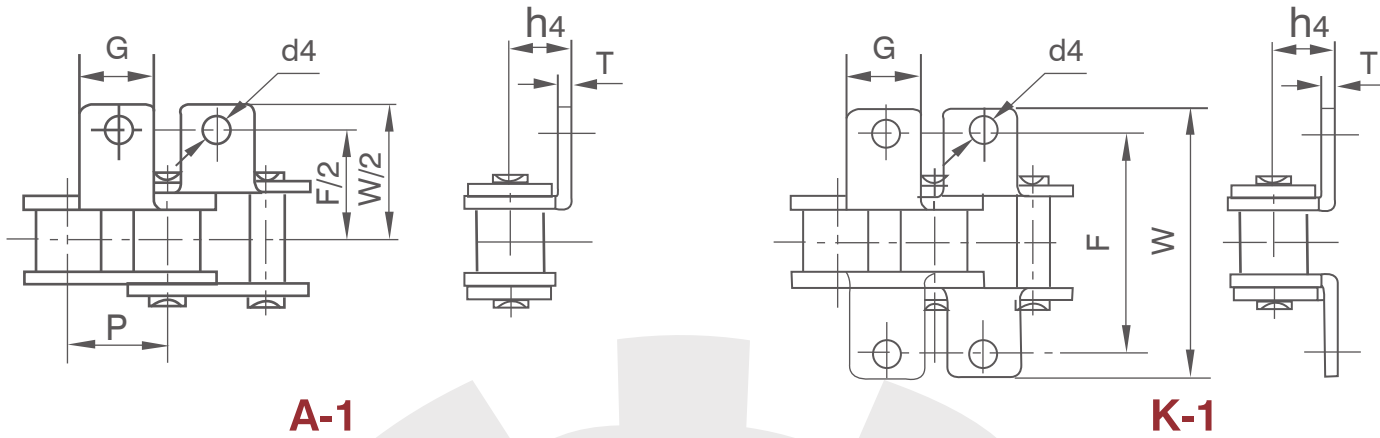


ANSI Chain No.	Pitch	Roller diameter	Width between inner plates	Pin diameter	Pin length		Inner plate depth	Plate thickness	Transverse pitch	Ultimate tensile strength	Average tensile strength	Weight per meter
	P	d1 max	b1 min	d2 max	L max	Lc max	h2 max	T max	P1	Q min	Q0	q
	mm	mm	mm	mm	mm	mm	mm	mm	mm	kN	kN	kg/m
C40	12.700	7.95	7.85	3.96	16.6	18.8	12.00	1.50		14.1	17.5	0.73
C50	15.875	10.16	9.40	5.08	20.7	23.3	15.09	2.03		22.2	29.4	1.23
C60	19.050	11.91	12.57	5.94	25.9	28.3	18.0/18.2	2.42		31.8	41.5	1.81/1.83
C80	25.400	15.88	15.75	7.92	32.7	36.5	24.00	3.25		56.7	69.4	3.09
C100	31.750	19.05	18.90	9.53	40.4	44.7	30.00	4.00		88.5	109.2	4.56
C120	38.100	22.23	25.22	11.10	50.3	54.3	35.70	4.80		127.0	156.3	6.86
C140	44.450	25.40	25.22	12.70	54.4	59.0	41.00	5.60		172.4	212.0	8.49
C160	50.800	28.58	31.55	14.27	64.8	69.6	47.80	6.40		226.8	278.9	11.50
C40-2	12.700	7.95	7.85	3.96	31.0	33.2	12.00	1.50	14.38	28.2	35.9	1.43
C50-2	15.875	10.16	9.40	5.08	38.9	41.4	15.09	2.03	18.11	44.4	58.1	2.42
C60-2	19.050	11.91	12.57	5.94	48.8	51.1	18.0/18.2	2.42	22.78	63.6	82.1	3.58/3.62
C80-2	25.400	15.88	15.75	7.92	62.7	65.8	24.00	3.25	29.29	113.4	141.8	6.12
C100-2	31.750	19.05	18.90	9.53	76.4	80.5	30.00	4.00	35.76	177.0	219.4	9.08
C120-2	38.100	22.23	25.22	11.10	95.8	99.7	35.70	4.80	45.44	254.0	314.9	13.60
C140-2	44.450	25.40	25.22	12.70	103.3	107.9	41.00	5.60	48.87	344.8	427.5	16.86
C160-2	50.800	28.58	31.55	14.27	123.3	128.1	47.80	6.40	58.55	453.6	562.4	22.90
C40-3	12.700	7.95	7.85	3.96	45.4	47.6	12.00	1.50	14.38	42.3	50.0	2.14
C50-3	15.875	10.16	9.40	5.08	57.0	59.5	15.09	2.03	18.11	66.6	77.8	3.62
C60-3	19.050	11.91	12.57	5.94	71.5	73.9	18.0/18.2	2.42	22.78	95.4	111.1	5.36/5.41
C80-3	25.400	15.88	15.75	7.92	91.7	95.1	24.00	3.25	29.29	170.1	198.4	9.10
C100-3	31.750	19.05	18.90	9.53	112.2	116.3	30.00	4.00	35.76	265.5	309.6	13.60
C120-3	38.100	22.23	25.22	11.10	141.4	145.2	35.70	4.80	45.44	381.0	437.2	20.43
C140-3	44.450	25.40	25.22	12.70	152.2	156.8	41.00	5.60	48.87	517.2	593.3	25.23
C160-3	50.800	28.58	31.55	14.27	181.8	186.6	47.80	6.40	58.55	680.4	780.6	34.19

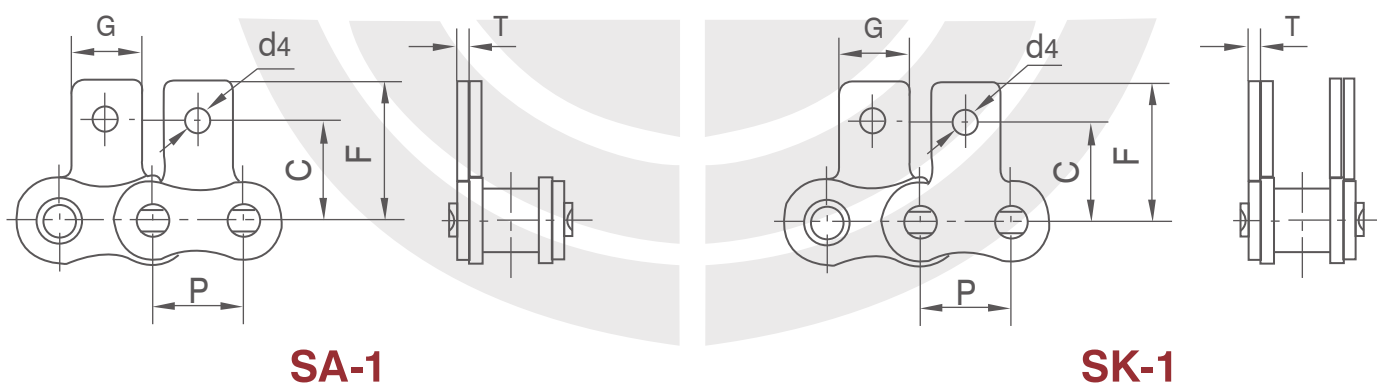
# Sprockets - Chain

ANSI B29.1M-1993

## Short Pitch Conveyor Chain Attachments



ANSI Chain No.	P	G	F	W	T	h <sub>4</sub>	d <sub>4</sub>
	mm	mm	mm	mm	mm	mm	mm
40	12.7	9.5	25.4	35.2	1.5	7.9	3.4
50	15.875	12.7	31.75	46.2	2.03	10.3	5.5
60	19.05	15.9	38.1	55.6	2.42	11.9	5.5
80	25.4	19.1	50.8	64.8	3.25	15.9	6.8
100	31.75	25.4	63.5	87.3	4.0	19.8	9.2
120	38.1	28.6	76.2	108.5	4.8	23.0	9.8
140	44.45	34.9	88.9	123	5.6	28.6	11.4
160	50.8	38.1	101.6	142.8	6.4	31.8	13.1

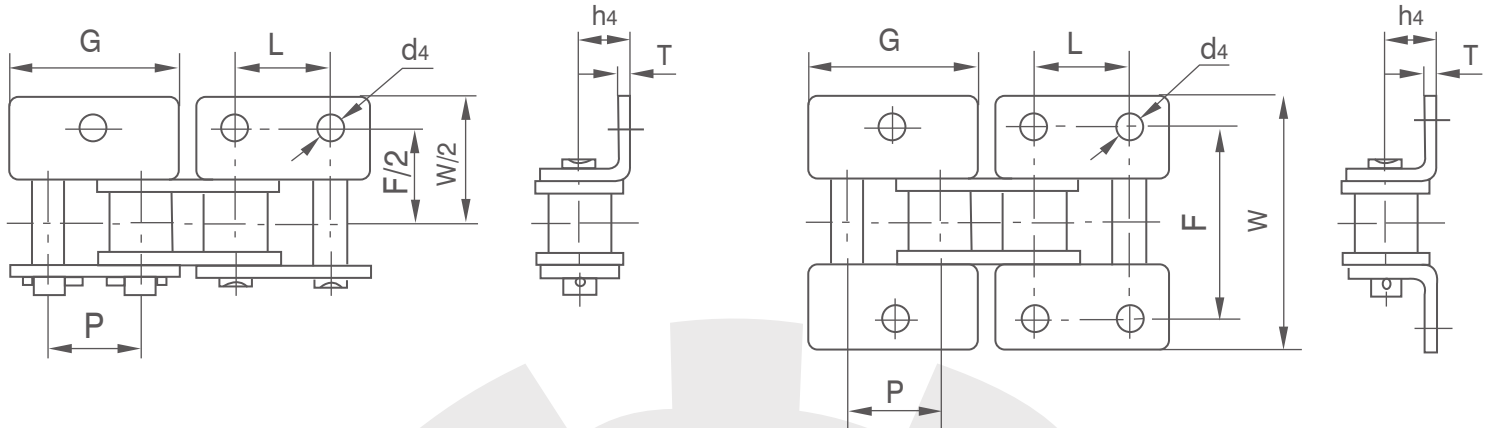


ANSI Chain No.	P	G	C	F	T	d <sub>4</sub>
	mm	mm	mm	mm	mm	mm
40	12.7	9.5	12.7	19.05	1.5	3.4
50	15.875	12.7	15.9	25.25	2.03	5.5
60	19.05	15.9	18.3	29.33	2.42	5.5
80	25.4	19.1	24.6	34.7	3.25	6.8
100	31.75	25.4	31.8	43.3	4.0	9.2
120	38.1	28.6	36.5	51.6	4.8	9.8
140	44.45	34.9	44.5	62.0	5.6	11.4
160	50.8	38.1	50.8	69.85	6.4	13.1

# Sprockets - Chain

ANSI B29.1M-1993

## Short Pitch Conveyor Chain Attachments



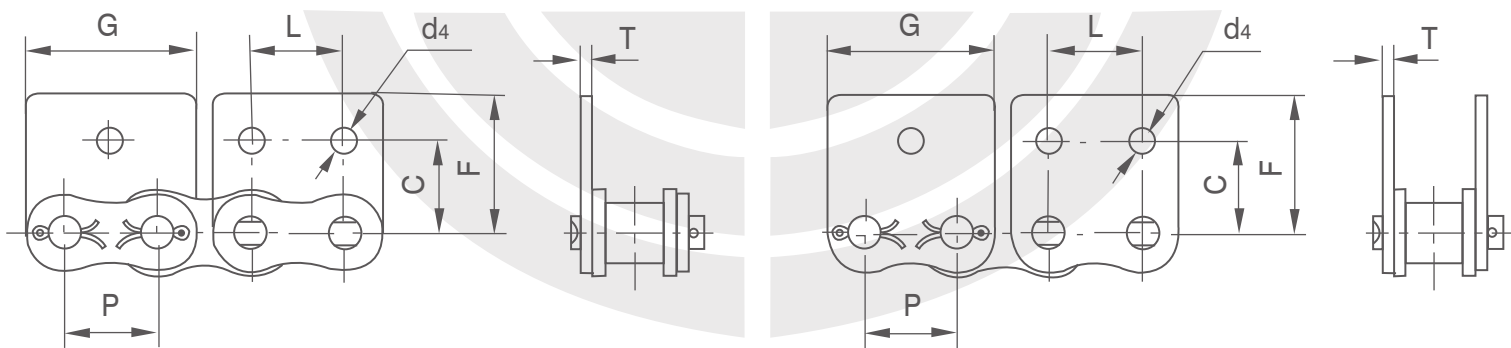
**WA-1**

**WA-2**

**WK-1**

**WK-2**

ANSI Chain No.	P	G	L	F	W	T	h4	d4
	mm	mm	mm	mm	mm	mm	mm	mm
40	12.7	23.1	12.7	25.4	35.6	1.5	8.0	3.4
50	15.875	28.88	15.875	31.8	46.8	2.03	10.3	5.5
60	19.05	34.65	19.05	38.1	56.4	2.42	11.9	5.5
80	25.4	45.9	25.4	50.8	73.2	3.25	15.9	6.8
100	31.75	57.65	31.75	63.5	89.8	4.0	19.8	9.5



**WSA-1 WSA-2**

**WSK-1 WSK-2**

ANSI Chain No.	P	G	L	C	F	T	d4
	mm	mm	mm	mm	mm	mm	mm
40	12.7	23.1	12.7	12.7	17.4	1.5	3.4
50	15.875	28.88	15.875	15.9	23.05	2.03	5.5
60	19.05	34.65	19.05	18.3	26.86	2.42	5.5
80	25.4	45.9	25.4	24.6	35.45	3.25	9.2
100	31.75	57.65	31.75	31.8	44.0	4.0	9.8